

# ICF-C795RC

## SERVICE MANUAL

AEP Model

Ver 1.0 1999.08



### SPECIFICATIONS

**Time display**

24-hour system

**Frequency range**

Band	Frequency	Channel step
FM	87.5 - 108 MHz	0.05 MHz*
AM	531 - 1602 kHz	9 kHz

\* The frequency shown in the display changes in steps of 0.1 MHz. (Example: Frequency 88.05 MHz appears as "88.0 MHz".)

**Speaker**

Approx. 6.6 cm (2<sup>5</sup>/<sub>8</sub> in) dia., 8 ohms

**Power output**

150 mW (at 10% harmonic distortion)

**Power requirements**

220-230 V AC, 50 Hz

**Dimensions**

Approx. 113 x 147.5 x 104.5 mm (w/h/d)  
(4<sup>1</sup>/<sub>2</sub> x 5<sup>7</sup>/<sub>8</sub> x 4<sup>1</sup>/<sub>8</sub> in) incl. projecting parts  
and controls

**Mass**

Approx. 800 g (1 lb 12 oz)

**Supplied accessory**

Instruction manual  
Warranty card

Design and specifications are subject to change  
without notice.

## FM/AM RADIO CONTROLLED CLOCK RADIO



# SONY®

## TABLE OF CONTENTS

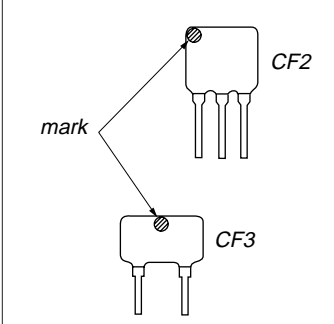
<b>1. GENERAL</b> .....	3
<b>2. DISASSEMBLY</b> .....	5
<b>3. ELECTRICAL ADJUSTMENTS</b> .....	7
<b>4. DIAGRAMS</b>	
4-1. Block Diagram .....	9
4-2. Schematic Diagram .....	13
4-3. Printed Wiring Boards .....	15
4-4. IC Pin Function Description .....	18
<b>5. EXPLODED VIEWS</b> .....	19
<b>6. ELECTRICAL PARTS LIST</b> .....	21

## HOW TO CHANGED THE CERAMIC FILTERS

This model is used two ceramic filters of CF2 and CF3.

You must use same type of color marked ceramic filters in order to meet same specifications.

Therefore, the ceramic filter must be changed two pieces together since it's supply two pieces in one package as a spare parts.

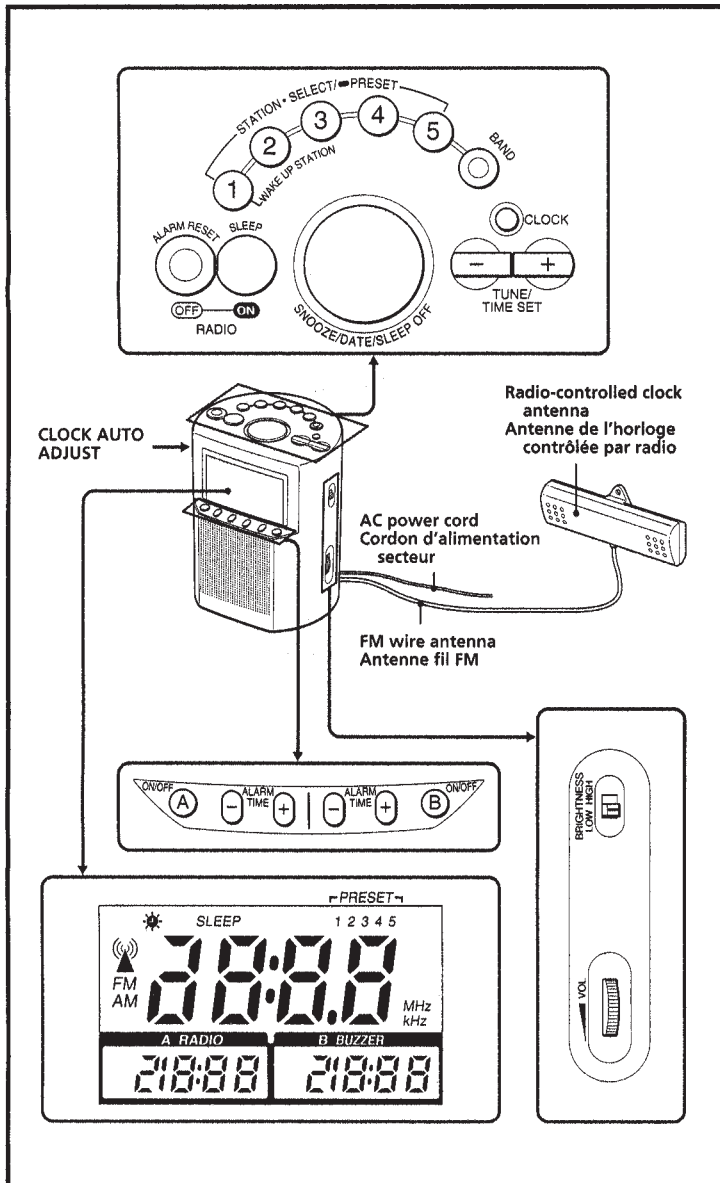
	Mark	Center frequency
	red	10.70 MHz
	blue	10.67 MHz
	orange	10.73 MHz
	black	10.64 MHz
	white	10.76 MHz

### Notes on chip component replacement

- Never reuse a disconnected chip component.
- Notice that the minus side of a tantalum capacitor may be damaged by heat.

### SAFETY-RELATED COMPONENT WARNING!!

COMPONENTS IDENTIFIED BY MARK  $\triangle$  OR DOTTED LINE WITH MARK  $\triangle$  ON THE SCHEMATIC DIAGRAMS AND IN THE PARTS LIST ARE CRITICAL TO SAFE OPERATION. REPLACE THESE COMPONENTS WITH SONY PARTS WHOSE PART NUMBERS APPEAR AS SHOWN IN THIS MANUAL OR IN SUPPLEMENTS PUBLISHED BY SONY.



**Features**

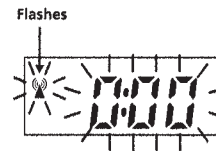
- Radio-Controlled Clock Auto Adjust System.
- Dual alarm FM/AM PLL (phase locked loop) synthesized clock radio.
- Triple display—main display, and two sub-displays for the alarms.
- LCD with backlight, and brightness adjustment for the backlight.
- Date button to display the year, month and date.
- Easy radio preset—with the pressing of a button.
- 5 random station presets.
- Radio and buzzer alarms, as well as a snooze function.
- Self-powered backup that enables the current time and memory to be stored for about 30 minutes without batteries when the power supply is interrupted.

**Setting the Clock and Date**

**Setting the Clock Automatically**

This radio is equipped with the Radio-Controlled Clock Auto Adjust System. The system receives clock data (year, month, date, hour, minute, second, and D.S.T.) on a certain radio wave, and automatically adjusts the clock accordingly.

- 1 Plug in the unit.  
The Clock Auto Adjust function activates automatically. "⚡" will flash in the display.



- 2 When clock adjustment has been completed, the clock will start to operate. "⚡" will stop flashing and remain in the display.

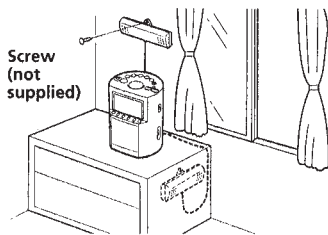


**To stop Clock Auto Adjust during operation**  
Press CLOCK AUTO ADJUST.

**To display the year and date**  
Press SNOOZE/DATE/SLEEP OFF once for the date, and within 2 seconds press it again for the year.  
The display shows the date or year for a few seconds and then changes back to the current time.

### To improve reception

When reception is poor, adjust the location and angle of the Radio-Controlled Clock antenna. A location near the window is preferred. Keep the wire antenna extended.



- Do not place the unit where reception is weakened, such as:
  - near a TV, refrigerator, computer, etc.
  - on a steel table, steel shelf, or other steel objects.

### Location of transmitting source

The Clock Auto Adjust clock data signal is transmitted from the following location:

Mainflingen, Germany  
50° 0.1' N, 09° 00' E

### Automatic updating of the clock data

The Clock Auto Adjust system will automatically receive the clock data once every hour without any manual operation and corrects the clock, if needed, accordingly. "⚡" will not flash but remain lit during such automatic operation. If the radio fails to receive the clock data signal for 12 hours, "⚡" will disappear in the display. Note that, therefore, when "⚡" is not displayed, the clock is not under control of the Clock Auto Adjust system.

### To initiate Clock Auto Adjust manually

Press CLOCK AUTO ADJUST. "⚡" will flash in the display. When the Auto Adjust process has been completed, the clock will be corrected, if needed, and "⚡" will stop flashing and remain lit in the display. If the radio fails to receive the clock data signal for 12 minutes, the clock will remain unchanged and "⚡" will disappear from the display.

### On Daylight Saving Time adjustment

The Clock Auto Adjust system automatically switches the clock indication to Daylight Saving Time (summer time), and back, at the necessary time of the year. "⌚" will be displayed when the clock is in Daylight Saving Time.

#### Note

- The actual adjustment to or from Daylight Saving Time by the Clock Auto Adjust system may be done up to 12 hours later than the exact moment of transition in the yearly calendar.

## Setting the Clock Manually

If the clock does not adjust automatically due to poor reception of the clock data signal, you should adjust the clock manually.

- 1 Press CLOCK for a few seconds. The year will start to flash in the display.
- 2 Press TUNE/TIME SET + or – until the correct year appears in the display.
- 3 Press CLOCK once.
- 4 Repeat steps 2 and 3 to set the month, date, hour, and minute. After setting the minute, press CLOCK to start the counting of the seconds.

- To set the current time rapidly, hold down the + or – button.
- In step 4, when you press CLOCK after the minute setting to activate the clock, the seconds start counting from zero.

## Operating the Radio

### Manual Tuning

- 1 Press RADIO ON to turn on the radio. The display shows the band and frequency for a few seconds and then changes back to the current time.
- 2 Press BAND repeatedly to select the desired band.
- 3 Use TUNE/TIME SET + or – to tune in to the desired station.
- 4 Adjust volume using VOL.

- To turn off the radio, press RADIO OFF.
- To improve reception:
  - FM:** Extend the FM wire and Radio-Controlled Clock antenna fully to increase reception sensitivity.
  - AM:** Rotate the unit horizontally for optimum reception. A ferrite bar is built in to the unit. Do not operate the unit on a steel desk or metal surface, as this may lead to interference of reception.
- To check the station being received, press the TUNE/TIME SET + or – button lightly. The display shows the band and frequency for a few seconds and then changes back to the current time.
- If the radio alarm comes on while the radio is on, the unit switches to the station on preset button 1 • WAKE UP STATION.

### To set the brightness of the backlight

Set BRIGHTNESS for the display to HIGH or LOW according to your preference.

### Preset Tuning

You can preset up to five stations for one-touch tuning; one for each of the preset buttons 1 to 5.

#### Presetting a station

Example: To preset AM 1260 kHz onto preset button 2.

- 1 Press RADIO ON to turn on the radio.
- 2 Tune in to the station you want to preset. (See "Manual Tuning".)
- 3 Hold down the desired STATION • SELECT/PRESET button (in this case, 2) until you hear two short beeps.



The display shows the frequency for a few seconds and then changes back to the current time.

For the radio alarm, preset the station to be used as the alarm onto preset button 1 • WAKE UP STATION.

### To change a preset station

Tune in manually to the station you want to store and hold down the preset button until you hear two short beeps. The previously stored station will be replaced by the new one.

#### Tuning in to a preset station

- 1 Press RADIO ON to turn on the radio.
- 2 Press the STATION • SELECT/PRESET button where the desired station is stored.
- 3 Adjust volume using VOL. After a few seconds, the display will return to the current time but the preset button number will remain.

## Using the Alarm

Before setting the time for the radio and buzzer alarms, make sure you have set the current time. (See "Setting the Clock".)

For the radio alarm, make sure you have preset a radio station onto preset button 1 • WAKE UP STATION. (See "Preset Tuning".)

### Setting the Alarm Time

Press and hold down ALARM TIME + or – located directly under the A RADIO or B BUZZER display until the desired time appears.

## ALARM ON— Activating the Alarm

#### For the radio alarm:

Press ON/OFF A located directly under the A RADIO display. The A RADIO display lights up and shows the alarm time you have set.

#### For the buzzer alarm:

Press ON/OFF B located directly under the B BUZZER display. The B BUZZER display lights up and shows the alarm time you have set.

At the time set, the radio or buzzer alarm will sound for 60 minutes or until turned off.

#### Notes

- When the alarm comes on at the preset time, the alarm time in the display flashes.
- When the ALARM TIME + or – button is held down, the displayed time initially changes in one-minute steps, and after a few seconds, switches to five-minute steps.
- If you do not preset the radio/buzzer alarm time and activate the alarm, the alarm will sound at 0:00.
- For the buzzer alarm, the beeping of the alarm becomes more rapid after every few seconds in five progressive stages.

## ALARM OFF— Stopping the Alarm

Press ALARM RESET.

The alarm will come on again at the same time the next day.

## To Doze for a Few More Minutes

Press SNOOZE/DATE/SLEEP OFF.

The radio or buzzer turns off but will automatically come on again after about 8 minutes. You can repeat this process as many times as you like.

## Cancelling the Alarm

#### For the radio alarm:

Press ON/OFF A to switch off the display.

#### For the buzzer alarm:

Press ON/OFF B to switch off the display. The alarm is deactivated until you press ON/OFF A or ON/OFF B to activate the alarm once again.

#### Note

- If both the radio and buzzer alarms are set for the same time, the radio alarm takes precedence.

## Setting the Sleep Timer

You can enjoy falling asleep to the radio using the built-in sleep timer that turns off the radio automatically after a preset duration.

Press SLEEP.

The radio turns on. You can set the sleep timer to durations of 90, 60, 30, or 15 minutes. Every push changes the display as follows.

On → 90 → 60  
└ 15 ← 30 ┘

To turn off the radio before the preset time, press SNOOZE/DATE/SLEEP OFF.

## To Use Both Sleep Timer and Alarm

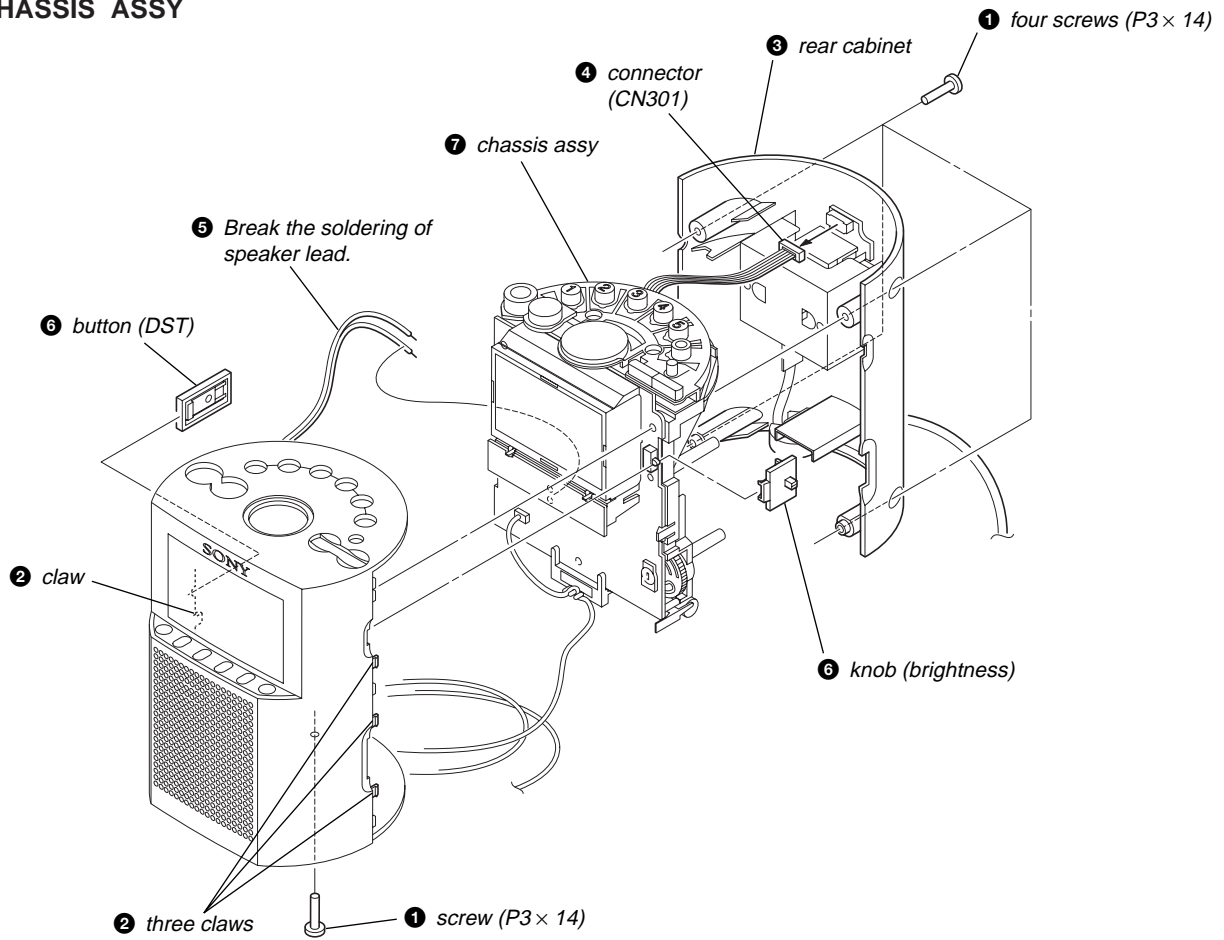
You can fall asleep to the radio and also be awakened by the radio or buzzer alarm at the preset time.

- 1 Set the alarm. (See "Setting the Alarm".)
- 2 Set the sleep timer. (See "Setting the Sleep Timer".)

## SECTION 2 DISASSEMBLY

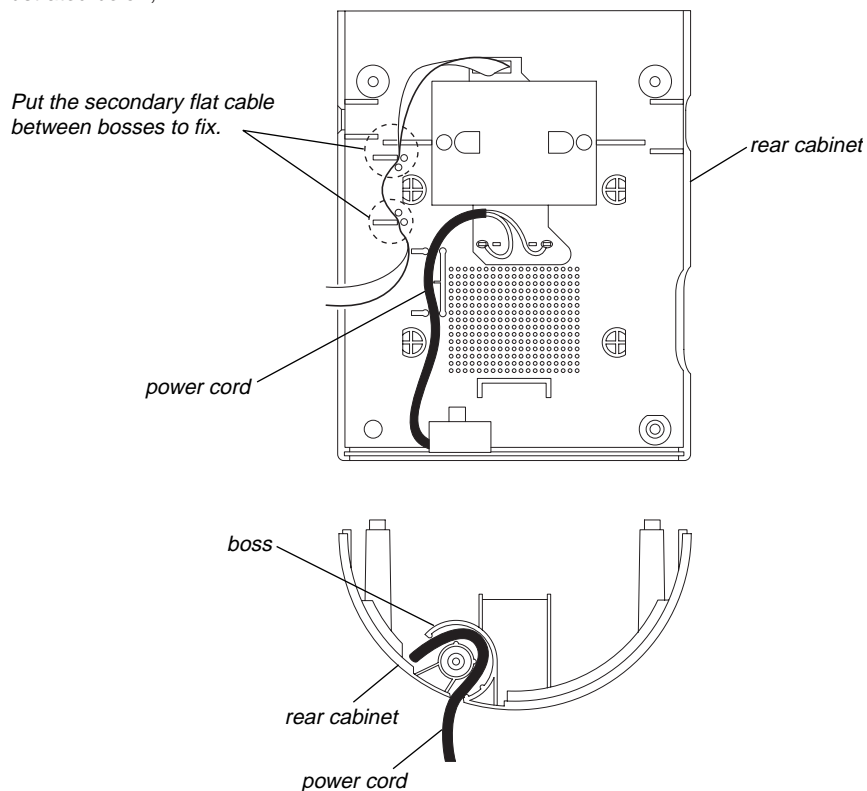
**Note:** Follow the disassembly procedure in the numerical order given.

### CHASSIS ASSY

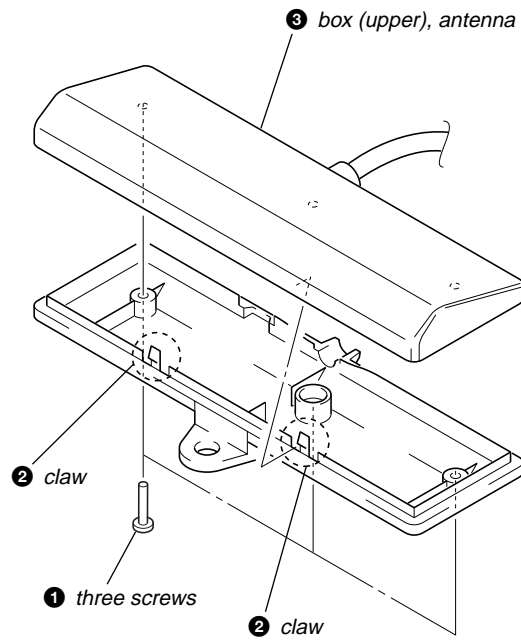


### POWER CORD SETTING

Set the power cord as illustrated below, then install the cabinet.

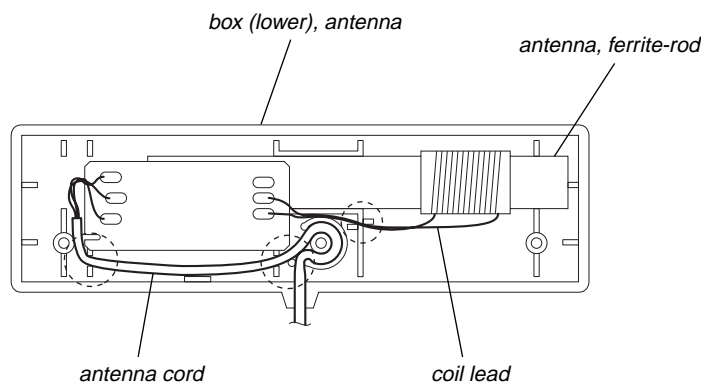


## BOX (UPPER) , ANTENNA



## ANTENNA CORD SETTING

Set the antenna cord as illustrated below, then install the antenna box.



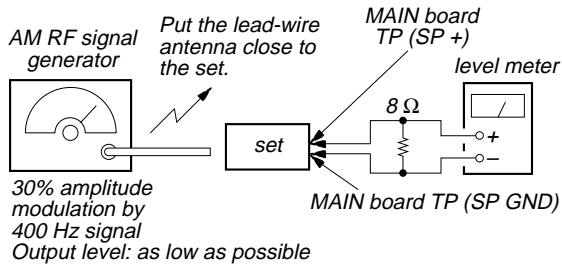
## SECTION 3 ELECTRICAL ADJUSTMENTS

0 dB = 1  $\mu$ V

### [AM]

#### Setting:

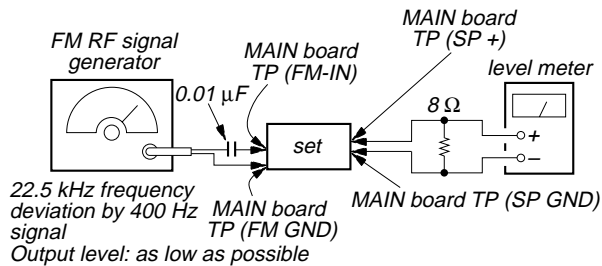
Band switch: AM



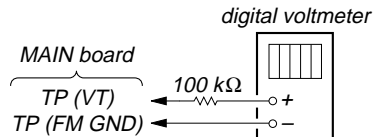
### [FM]

#### Setting:

Band switch: FM



- Repeat the procedures in each adjustment several times, and the tracking adjustments should be finally done by the trimmer capacitors.
- Remove FM antenna in FM adjustments.



**Adjustment Location:** MAIN board (See page 8)

AM IF ADJUSTMENT	
Adjust for a maximum reading on level meter.	
T1	450 kHz

AM VCO VOLTAGE ADJUSTMENT		
Adjustment Part	Frequency Display	Reading on Digital Voltmeter
L5	531 kHz	2.65 V $\pm$ 0.1 V
Confirmation	1,602 kHz	Less than 9.5 V

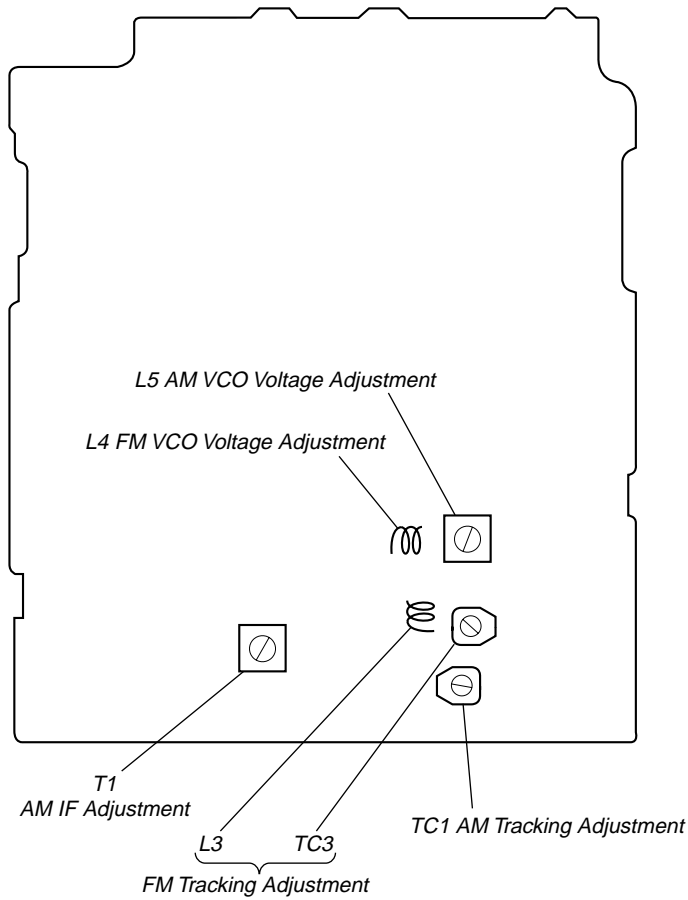
AM TRACKING ADJUSTMENT	
Adjust for a maximum reading on level meter.	
L1	621 kHz
TC1	1,404 kHz

FM VCO VOLTAGE ADJUSTMENT		
Adjustment Part	Frequency Display	Reading on Digital Voltmeter
L4	87.5 MHz	3 V $\pm$ 0.1 V
Confirmation	108 MHz	Less than 11.8 V

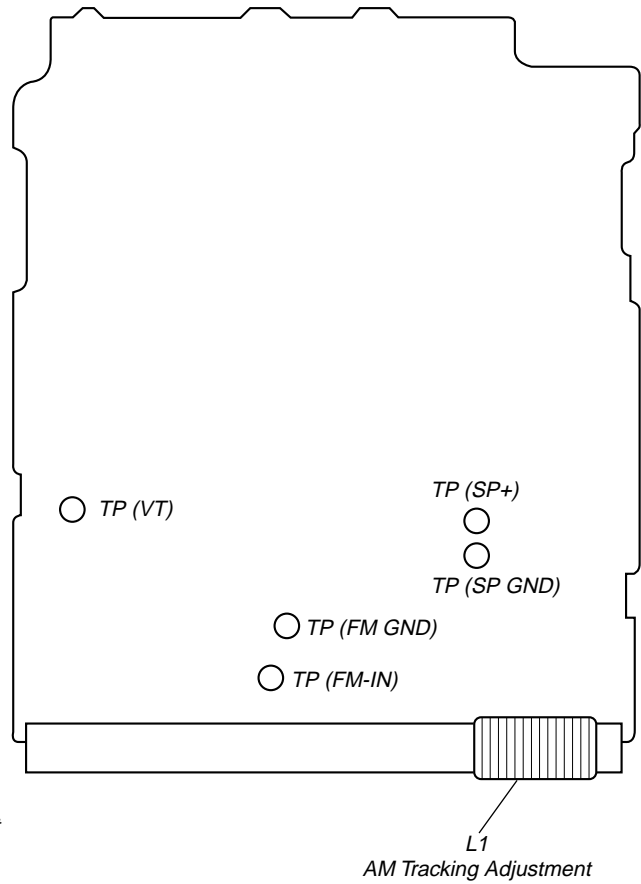
FM TRACKING ADJUSTMENT	
Adjust for a maximum reading on level meter.	
L3	87.5 MHz
TC3	108 MHz

**Adjustment Location:**

**– MAIN BOARD (Component Side) –**



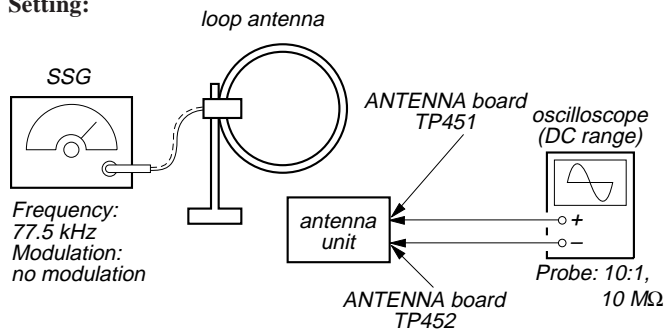
**– MAIN BOARD (Conductor Side) –**



**ANTENNA SECTION**

**Antenna Adjustment**

**Setting:**



**Procedure:**

1. Set a SSG.
2. Connect an oscilloscope to TP451 and TP452 on the ANTENNA board.
3. Adjust L451 on the ANTENNA board for a maximum waveform level on the oscilloscope.

**Adjustment Location:**

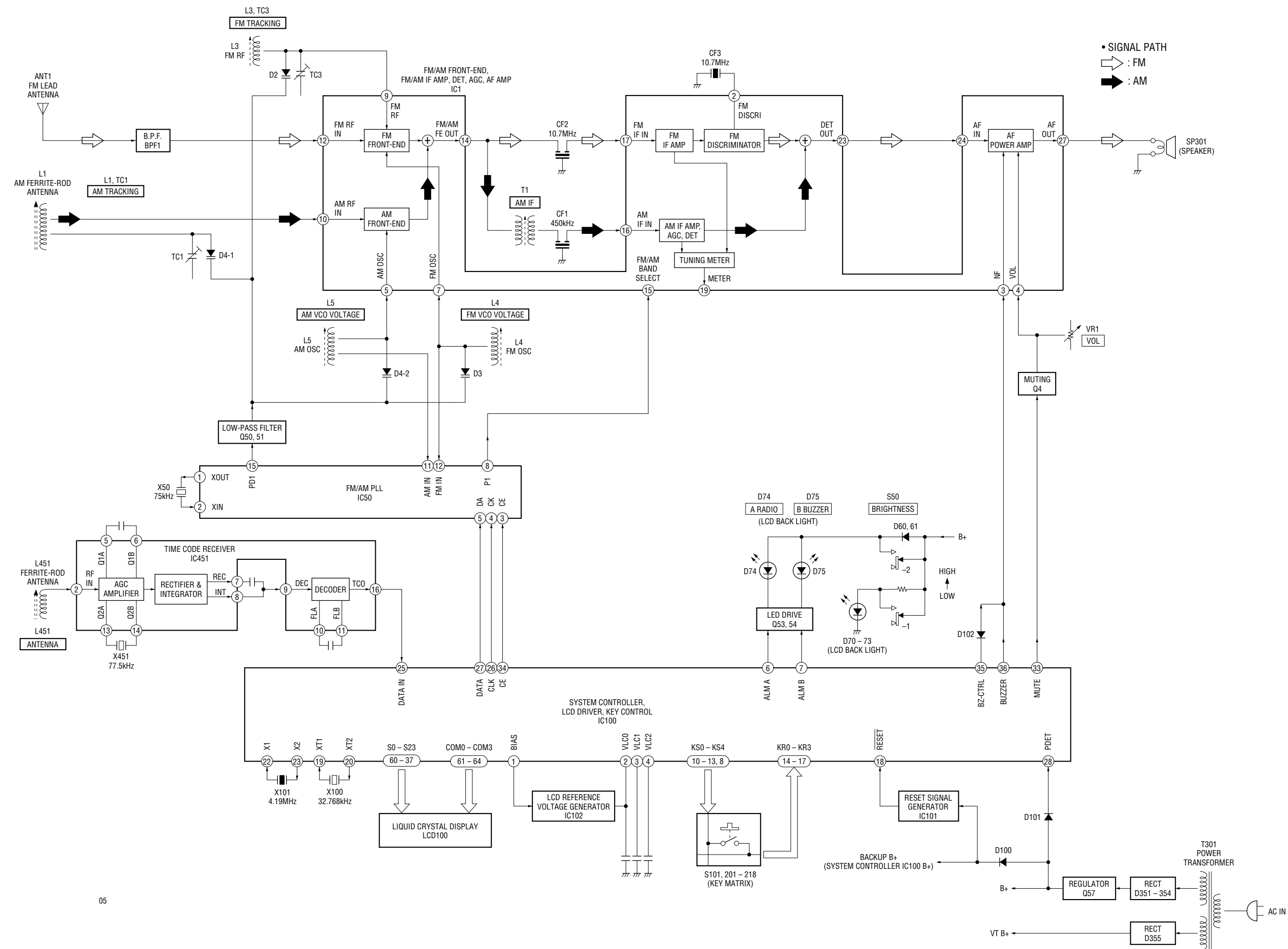
**– ANTENNA BOARD (Conductor Side) –**



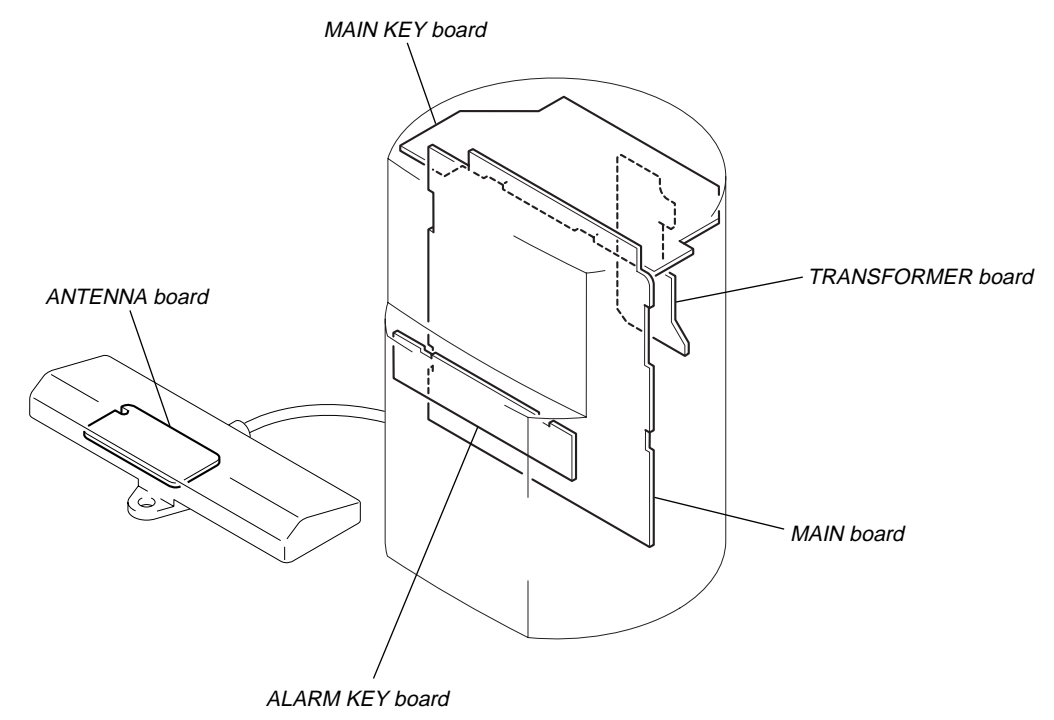


SECTION 4  
DIAGRAMS

4-1. BLOCK DIAGRAM

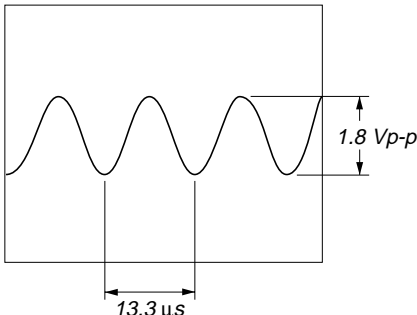


• Circuit Boards Location

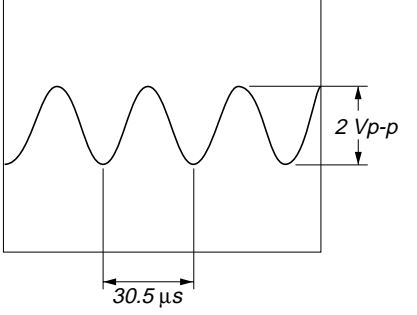


• Waveforms  
- MAIN board -

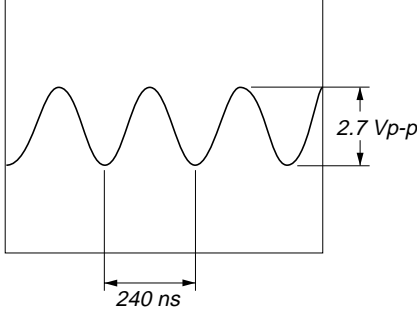
① IC50 (XIN)  
500 mV/DIV, 5 μs/DIV



② IC100 (XT1)  
1 V/DIV, 10 μs/DIV



③ IC100 (X1) (\*1)  
1 V/DIV, 100 ns/DIV



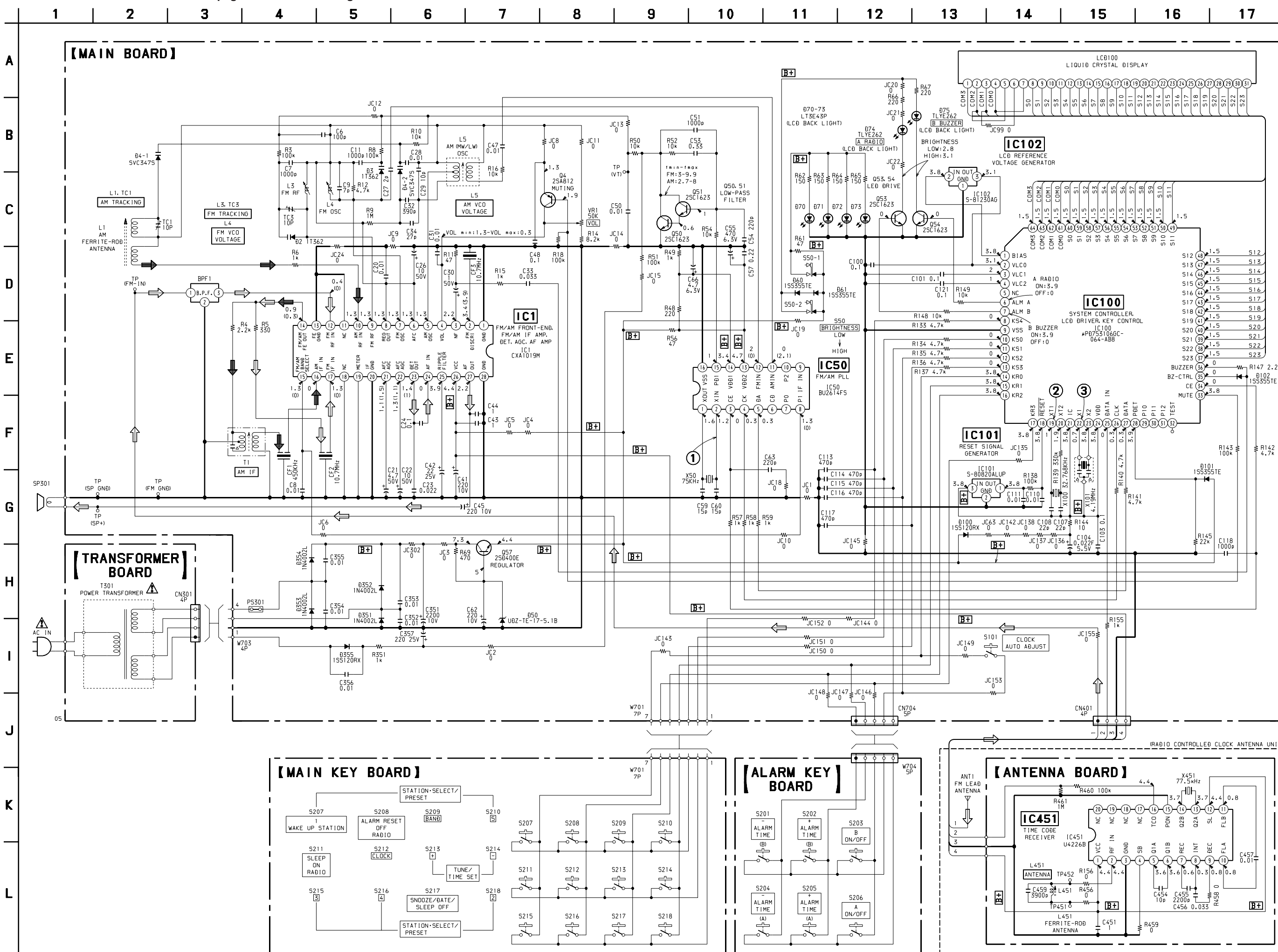
\*1)  
Oscillation will be given out for 250 ms with following conditions.  
• Turn the radio on.  
• Change the band.  
• Change the tuning (manual or preset).

Note on Schematic Diagram:

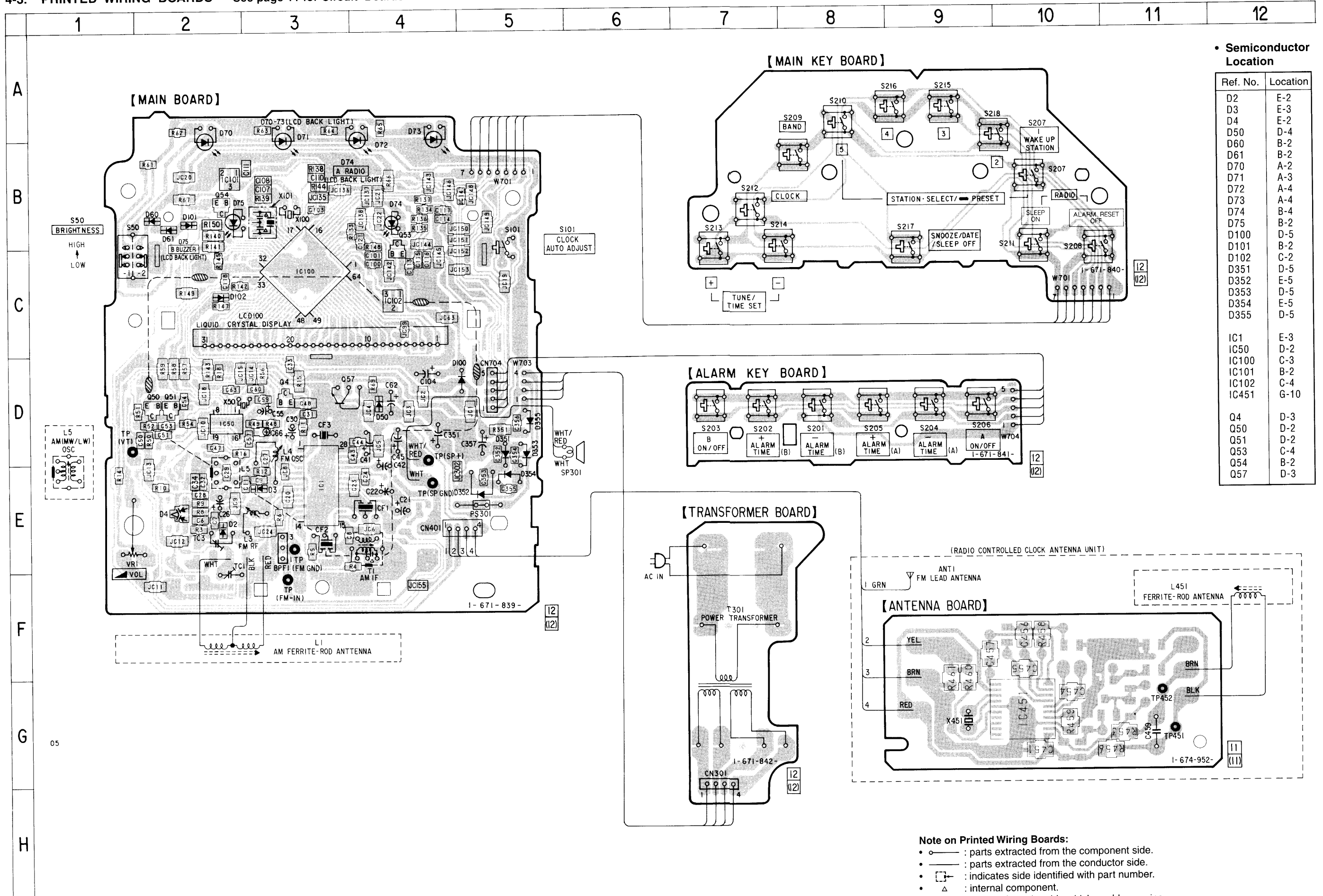
- All capacitors are in μF unless otherwise noted. pF: μF 50 WV or less are not indicated except for electrolytics and tantalums.
- All resistors are in Ω and 1/4 W or less unless otherwise specified.
- △ : internal component.
- : panel designation.

Note: The components identified by mark △ or dotted line with mark △ are critical for safety. Replace only with part number specified.

- B+ : B+ Line.
- : adjustment for repair.
- Voltages and waveforms are dc with respect to ground under no-signal (detuned) conditions. no mark : FM ( ) : AM
- Voltages are taken with a VOM (Input impedance 10 MΩ). Voltage variations may be noted due to normal production tolerances.
- Waveforms are taken with an oscilloscope. Voltage variations may be noted due to normal production tolerances.
- Circled numbers refer to waveforms.
- Signal path.  
⇨ : FM  
⇨ : AM



4-3. PRINTED WIRING BOARDS • See page 11 for Circuit Boards Location.



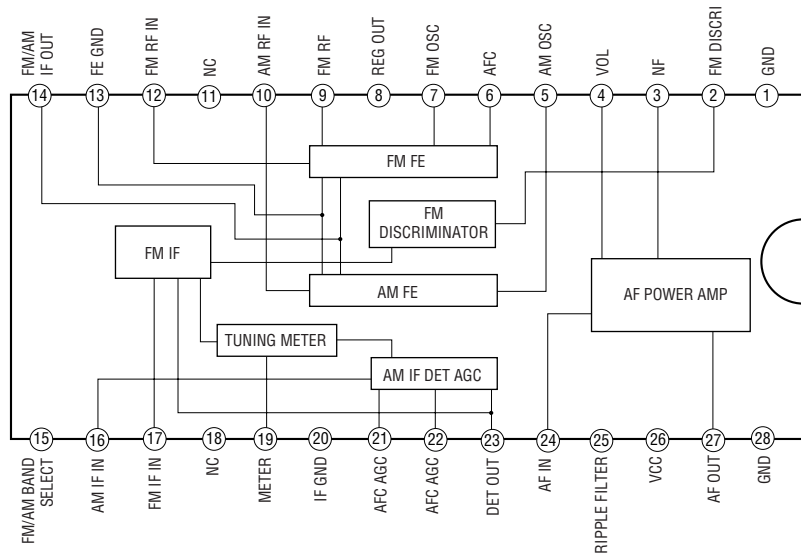
• Semiconductor Location

Ref. No.	Location
D2	E-2
D3	E-3
D4	E-2
D50	D-4
D60	B-2
D61	B-2
D70	A-2
D71	A-3
D72	A-4
D73	A-4
D74	B-4
D75	B-2
D100	D-5
D101	B-2
D102	C-2
D351	D-5
D352	E-5
D353	D-5
D354	E-5
D355	D-5
IC1	E-3
IC50	D-2
IC100	C-3
IC101	B-2
IC102	C-4
IC451	G-10
Q4	D-3
Q50	D-2
Q51	D-2
Q53	C-4
Q54	B-2
Q57	D-3

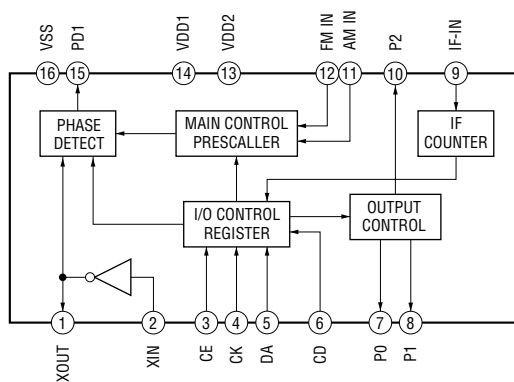
**Note on Printed Wiring Boards:**  
 • ○ : parts extracted from the component side.  
 • — : parts extracted from the conductor side.  
 • □ : indicates side identified with part number.  
 • △ : internal component.  
 • ▨ : Pattern from the side which enables seeing.

• IC Block Diagrams  
– MAIN Board –

IC1 CXA1019M

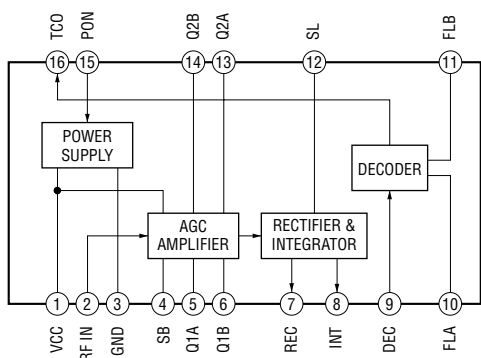


IC50 BU2614FS



– ANTENNA Board –

IC451 U4226B-MFSG3



4-4. IC PIN FUNCTION DESCRIPTION

• MAIN BOARD IC100  $\mu$ PD753106GC-064-AB8 (SYSTEM CONTROLLER, LCD DRIVER, KEY CONTROL)

Pin No.	Pin Name	I/O	Description
1	BIAS	O	Liquid crystal display drive bias control output terminal
2 to 4	VLC0 to VLC2	—	Terminal for doubler circuit capacitor connection to develop liquid crystal display drive voltage
5	NC	O	Not used (open)
6	ALM A	O	LED drive signal output of the LCD back light LED (D74) "H" output at alarm A setting (LED on)
7	ALM B	O	LED drive signal output of the LCD back light LED (D75) "H" output at alarm B setting (LED on)
8	KS4	O	Key scan signal output of the key matrix (S101, S201 to S218)
9	VSS	—	Ground terminal
10 to 13	KS0 to KS3	O	Key scan signal output of the key matrix (S101, S201 to S218)
14 to 17	KR0 to KR3	I	Key return signal input of the key matrix (S101, S201 to S218)
18	RESET	I	System reset signal input from the reset signal generator (IC101) "L": reset "L" is input for several 100 msec after power on, then it changes to "H"
19	XT1	I	Sub system clock input terminal (32.768 kHz)
20	XT2	O	Sub system clock output terminal (32.768 kHz)
21	IC	—	Connected to power supply (+3.8V)
22	X1	I	Main system clock input terminal (4.19 MHz)
23	X2	O	Main system clock output terminal (4.19 MHz)
24	VDD	—	Power supply terminal (+3.8V)
25	DATA IN	I	Time code data input from the U4226B (IC451)
26	CLK	O	PLL serial data transfer clock signal output to the FM/AM PLL (IC50)
27	DATA	O	PLL serial data output to the FM/AM PLL (IC50)
28	PDET	I	Power failure detection input terminal "L": power failure
29 to 31	PI0 to PI2	I	Destination setting terminal
32	TEST	I	Test mode input terminal "L": test mode Not used (open)
33	MUTE	O	Muting on/off control signal output terminal "L": muting on
34	CE	O	PLL serial chip enable signal output to the FM/AM PLL (IC50)
35	BZ-CTRL	O	Buzzer control signal output terminal "H" output at alarm B active
36	BUZZER	O	Beep sound (2 kHz) drive signal output to the CXA1019M (IC1)
37 to 60	S23 to S0	O	Segment drive signal output to the liquid crystal display (LCD100)
61 to 64	COM0 to COM3	O	Common drive signal output to the liquid crystal display (LCD100)

## SECTION 5 EXPLODED VIEWS

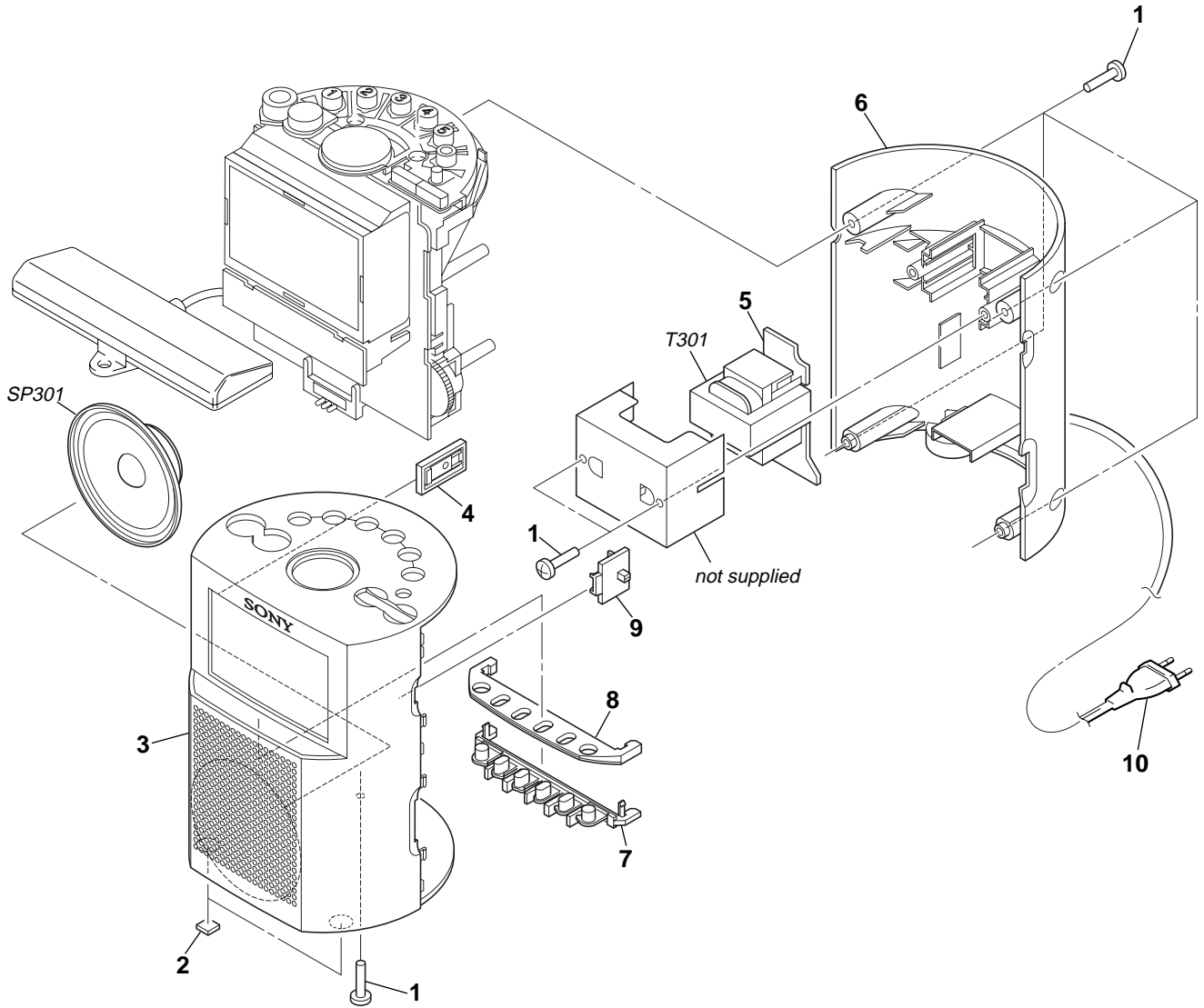
**NOTE:**

- -XX and -X mean standardized parts, so they may have some difference from the original one.
- Color Indication of Appearance Parts  
Example:  
KNOB, BALANCE (WHITE) . . . (RED)  
                                  ↑                                  ↑  
                                  Parts Color Cabinet's Color

- Items marked "\*" are not stocked since they are seldom required for routine service. Some delay should be anticipated when ordering these items.
- The mechanical parts with no reference number in the exploded views are not supplied.
- Accessories and packing materials are given in the last of the electrical parts list.

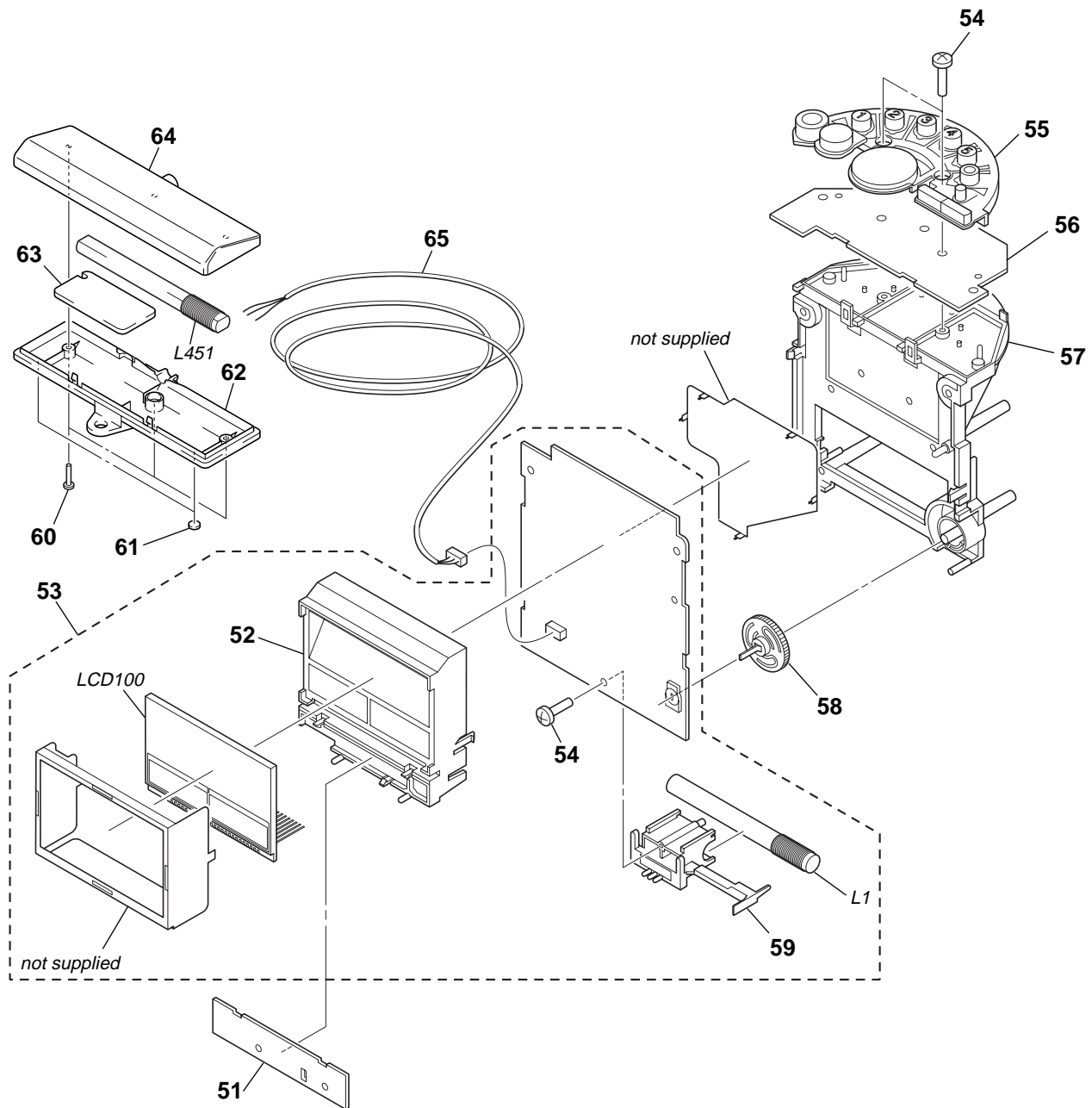
The components identified by mark  $\Delta$  or dotted line with mark  $\Delta$  are critical for safety. Replace only with part number specified.

**(1) CABINET SECTION**



Ref. No.	Part No.	Description	Remark	Ref. No.	Part No.	Description	Remark
1	7-685-649-79	SCREW +P 3X14 TYPE2 NON-SLIT		7	3-032-462-01	BUTTON (ALARM)	
2	3-368-852-01	FOOT		8	3-032-465-01	PANEL (ALARM)	
3	X-3377-455-1	CABINET (TRANSPARENT PLATE) ASSY		9	3-032-460-01	KNOB (BRIGHTNESS)	
4	3-032-463-01	BUTTON (DST)		$\Delta$ 10	1-555-795-00	CORD, POWER	
* 5	1-671-842-11	TRANSFORMER BOARD		SP301	1-504-748-21	SPEAKER (6.6cm)	
6	3-032-458-01	CABINET (REAR)		$\Delta$ T301	1-433-601-11	TRANSFORMER, POWER	

## (2) CHASSIS SECTION



Ref. No.	Part No.	Description	Remark	Ref. No.	Part No.	Description	Remark
* 51	1-671-841-11	ALARM KEY BOARD		60	3-318-203-31	SCREW (B1.7X8), TAPPING	
52	3-032-464-01	HOLDER (LCD)		61	3-040-333-01	FOOT	
53	A-3663-389-A	MAIN BOARD, COMPLETE		62	3-038-573-01	BOX (LOWER), ANTENNA	
54	7-685-649-79	SCREW +P 3X14 TYPE2 NON-SLIT		63	A-3683-116-A	ANTENNA BOARD, COMPLETE	
55	3-032-461-01	BUTTON (MAIN)		64	3-038-572-01	BOX (UPPER), ANTENNA	
* 56	1-671-840-11	MAIN KEY BOARD		65	1-791-673-11	CORD, CONNECTION	
57	3-032-459-01	CHASSIS		L1	1-754-039-11	ANTENNA, FERRITE-ROD (AM)	
58	3-919-268-01	KNOB (VOL)		L451	1-754-082-11	ANTENNA, FERRITE-ROD	
59	3-033-972-01	HOLDER, FERRITE-ROD ANTENNA		LCD100	1-803-761-11	DISPLAY PANEL, LIQUID CRYSTAL	

## SECTION 6 ELECTRICAL PARTS LIST

### ALARM KEY

### ANTENNA

### MAIN

**NOTE:**

- Due to standardization, replacements in the parts list may be different from the parts specified in the diagrams or the components used on the set.
- -XX and -X mean standardized parts, so they may have some difference from the original one.
- RESISTORS  
All resistors are in ohms.  
METAL: Metal-film resistor.  
METAL OXIDE: Metal oxide-film resistor.  
F: nonflammable

- Items marked “\*” are not stocked since they are seldom required for routine service. Some delay should be anticipated when ordering these items.
- SEMICONDUCTORS  
In each case, u:  $\mu$ , for example:  
uA. . . :  $\mu$ A. . .      uPA. . . :  $\mu$ PA. . .  
uPB. . . :  $\mu$ PB. . .    uPC. . . :  $\mu$ PC. . .  
uPD. . . :  $\mu$ PD. . .
- CAPACITORS  
uF:  $\mu$ F
- COILS  
uH:  $\mu$ H

The components identified by mark  $\Delta$  or dotted line with mark  $\Delta$  are critical for safety. Replace only with part number specified.

When indicating parts by reference number, please include the board.

Ref. No.	Part No.	Description	Remark	Ref. No.	Part No.	Description	Remark
*	1-671-841-11	ALARM KEY BOARD *****				< BAND-PASS FILTER >	
		< SWITCH >		BPF1	1-236-711-21	FILTER, BAND PASS	
S201	1-553-856-00	SWITCH, KEY BOARD (-, ALARM TIME (B))				< CAPACITOR >	
S202	1-553-856-00	SWITCH, KEY BOARD (+, ALARM TIME (A))		C6	1-163-251-11	CERAMIC CHIP 100PF 5% 50V	
S203	1-553-856-00	SWITCH, KEY BOARD (B, ON/OFF)		C7	1-163-141-00	CERAMIC CHIP 0.001uF 5% 50V	
S204	1-553-856-00	SWITCH, KEY BOARD (-, ALARM TIME (A))		C8	1-163-021-11	CERAMIC CHIP 0.01uF 10% 50V	
S205	1-553-856-00	SWITCH, KEY BOARD (+, ALARM TIME (A))		C9	1-163-224-11	CERAMIC CHIP 7PF 0.25PF 50V	
S206	1-553-856-00	SWITCH, KEY BOARD (A, ON/OFF)		C11	1-163-141-00	CERAMIC CHIP 0.001uF 5% 50V	
*****							
	A-3683-116-A	ANTENNA BOARD, COMPLETE *****		C20	1-163-059-00	CERAMIC CHIP 0.01uF 10% 50V	
		< CAPACITOR >		C21	1-126-963-11	ELECT 4.7uF 20% 50V	
C451	1-109-982-11	CERAMIC CHIP 1uF 10% 10V		C22	1-126-964-11	ELECT 10uF 20% 50V	
C454	1-163-227-11	CERAMIC CHIP 10PF 0.5PF 50V		C23	1-163-063-11	CERAMIC CHIP 0.022uF 10% 50V	
C455	1-164-161-11	CERAMIC CHIP 0.0022uF 10% 100V		C24	1-164-004-11	CERAMIC CHIP 0.1uF 10% 25V	
C456	1-163-989-11	CERAMIC CHIP 0.033uF 10% 25V		C26	1-126-964-11	ELECT 10uF 20% 50V	
C457	1-163-021-11	CERAMIC CHIP 0.01uF 10% 50V		C27	1-163-085-00	CERAMIC CHIP 2PF 50V	
C459	1-136-682-11	FILM 0.0039uF 5% 100V		C28	1-163-021-11	CERAMIC CHIP 0.01uF 10% 50V	
		< IC >		C29	1-163-227-11	CERAMIC CHIP 10PF 0.5PF 50V	
IC451	8-759-599-59	IC U4226B-MFSG3		C30	1-126-960-11	ELECT 1uF 20% 50V	
		< RESISTOR >		C31	1-163-021-11	CERAMIC CHIP 0.01uF 10% 50V	
R453	1-216-295-00	SHORT 0		C32	1-163-131-00	CERAMIC CHIP 390PF 5% 50V	
R456	1-216-295-00	SHORT 0		C33	1-163-989-11	CERAMIC CHIP 0.033uF 10% 25V	
R458	1-216-295-00	SHORT 0		C34	1-163-237-11	CERAMIC CHIP 27PF 5% 50V	
R459	1-216-295-00	SHORT 0		C41	1-126-934-11	ELECT 220uF 20% 10V	
R460	1-216-097-00	RES, CHIP 100K 5% 1/10W		C42	1-128-551-11	ELECT 22uF 20% 25V	
R461	1-216-121-00	RES, CHIP 1M 5% 1/10W		C43	1-109-982-11	CERAMIC CHIP 1uF 10% 10V	
		< FILTER >		C44	1-109-982-11	CERAMIC CHIP 1uF 10% 10V	
X451	1-767-219-11	FILTER, CRYSTAL (77.5kHz)		C45	1-126-934-11	ELECT 220uF 20% 10V	
*****							
	A-3663-389-A	MAIN BOARD, COMPLETE *****		C47	1-163-021-11	CERAMIC CHIP 0.01uF 10% 50V	
	3-032-464-01	HOLDER (LCD)		C48	1-163-077-00	CERAMIC CHIP 0.1uF 10% 25V	
	3-033-972-01	HOLDER, FERRITE-ROD ANTENNA		C50	1-163-021-11	CERAMIC CHIP 0.01uF 10% 50V	
	7-685-649-79	SCREW +P 3X14 TYPE2 NON-SLIT		C51	1-163-009-11	CERAMIC CHIP 0.001uF 10% 50V	
				C53	1-110-501-11	CERAMIC CHIP 0.33uF 10% 16V	
				C54	1-163-125-00	CERAMIC CHIP 220PF 5% 50V	
				C55	1-126-935-11	ELECT 470uF 20% 6.3V	
				C57	1-164-489-11	CERAMIC CHIP 0.22uF 10% 16V	
				C59	1-163-231-11	CERAMIC CHIP 15PF 5% 50V	
				C60	1-163-231-11	CERAMIC CHIP 15PF 5% 50V	
				C62	1-126-934-11	ELECT 220uF 20% 10V	
				C63	1-163-125-00	CERAMIC CHIP 220PF 5% 50V	
				C66	1-107-812-11	TANTALUM CHIP 4.7uF 20% 6.3V	
				C100	1-163-038-00	CERAMIC CHIP 0.1uF 25V	

# MAIN

Ref. No.	Part No.	Description	Remark	Ref. No.	Part No.	Description	Remark	
C101	1-163-038-00	CERAMIC CHIP	0.1uF	25V	IC100	8-759-639-28	IC uPD753106GC-064-AB8	
C103	1-164-004-11	CERAMIC CHIP	0.1uF	10%	25V	IC101	8-759-580-04	IC S-80820ALUP-EAH-T2
C104	1-125-691-11	DOUBLE LAYER	0.022F	5.5V	IC102	8-759-939-41	IC S-81230AG-RB	
C107	1-163-235-11	CERAMIC CHIP	22PF	5%	50V	< SHORT >		
C108	1-163-235-11	CERAMIC CHIP	22PF	5%	50V	JC1	1-216-296-00	SHORT 0
C110	1-163-021-11	CERAMIC CHIP	0.01uF	10%	50V	JC2	1-216-296-00	SHORT 0
C111	1-163-021-11	CERAMIC CHIP	0.01uF	10%	50V	JC3	1-216-296-00	SHORT 0
C113	1-163-133-00	CERAMIC CHIP	470PF	5%	50V	JC4	1-216-296-00	SHORT 0
C114	1-163-133-00	CERAMIC CHIP	470PF	5%	50V	JC5	1-216-296-00	SHORT 0
C115	1-163-133-00	CERAMIC CHIP	470PF	5%	50V	JC6	1-216-296-00	SHORT 0
C116	1-163-133-00	CERAMIC CHIP	470PF	5%	50V	JC8	1-216-295-00	SHORT 0
C117	1-163-133-00	CERAMIC CHIP	470PF	5%	50V	JC9	1-216-296-00	SHORT 0
C118	1-163-009-11	CERAMIC CHIP	0.001uF	10%	50V	JC10	1-216-296-00	SHORT 0
C121	1-163-038-00	CERAMIC CHIP	0.1uF	25V	JC11	1-216-296-00	SHORT 0	
C351	1-126-927-11	ELECT	2200uF	20%	10V	JC12	1-216-296-00	SHORT 0
C352	1-163-021-11	CERAMIC CHIP	0.01uF	10%	50V	JC13	1-216-296-00	SHORT 0
C353	1-163-021-11	CERAMIC CHIP	0.01uF	10%	50V	JC14	1-216-296-00	SHORT 0
C354	1-163-021-11	CERAMIC CHIP	0.01uF	10%	50V	JC15	1-216-296-00	SHORT 0
C355	1-163-021-11	CERAMIC CHIP	0.01uF	10%	50V	JC18	1-216-296-00	SHORT 0
C356	1-163-021-11	CERAMIC CHIP	0.01uF	10%	50V	JC19	1-216-296-00	SHORT 0
C357	1-104-666-11	ELECT	220uF	20%	25V	JC20	1-216-296-00	SHORT 0
< FILTER >				JC21	1-216-296-00	SHORT 0		
* CF1	1-577-319-11	FILTER, CERAMIC			JC22	1-216-296-00	SHORT 0	
CF2	1-579-632-41	FILTER, CERAMIC			JC24	1-216-296-00	SHORT 0	
CF3	1-579-632-41	FILTER, CERAMIC			JC63	1-216-296-00	SHORT 0	
< CONNECTOR >				JC99	1-216-295-00	SHORT 0		
* CN401	1-564-706-11	PIN, CONNECTOR (SMALL TYPE) 4P			JC135	1-216-296-00	SHORT 0	
* CN704	1-568-271-11	SOCKET, CONNECTOR 5P			JC136	1-216-296-00	SHORT 0	
< DIODE >				JC137	1-216-296-00	SHORT 0		
D2	8-713-100-11	DIODE 1T362			JC138	1-216-296-00	SHORT 0	
D3	8-713-100-11	DIODE 1T362			JC142	1-216-296-00	SHORT 0	
D4	8-719-072-59	DIODE SVC347S-TL			JC143	1-216-296-00	SHORT 0	
D50	8-719-976-99	DIODE DTZ5.1B			JC144	1-216-296-00	SHORT 0	
D60	8-719-988-61	DIODE 1SS355TE-17			JC145	1-216-296-00	SHORT 0	
D61	8-719-988-61	DIODE 1SS355TE-17			JC146	1-216-296-00	SHORT 0	
D70	8-719-950-41	LED GL-3EG43 (LCD BACK LIGHT)			JC147	1-216-295-00	SHORT 0	
D71	8-719-950-41	LED GL-3EG43 (LCD BACK LIGHT)			JC148	1-216-296-00	SHORT 0	
D72	8-719-950-41	LED GL-3EG43 (LCD BACK LIGHT)			JC149	1-216-296-00	SHORT 0	
D73	8-719-950-41	LED GL-3EG43 (LCD BACK LIGHT)			JC150	1-216-296-00	SHORT 0	
D74	8-719-075-78	LED TLYE262A (K51.SOY.P) (A RADIO (LCD BACK LIGHT))			JC151	1-216-296-00	SHORT 0	
D75	8-719-075-78	LED TLYE262A (K51.SOY.P) (B BUZZER (LCD BACK LIGHT))			JC152	1-216-296-00	SHORT 0	
D100	8-719-074-44	DIODE 1SS120RX			JC153	1-216-296-00	SHORT 0	
D101	8-719-988-61	DIODE 1SS355TE-17			JC155	1-216-296-00	SHORT 0	
D102	8-719-988-61	DIODE 1SS355TE-17			JC302	1-216-295-00	SHORT 0	
D351	8-719-031-85	DIODE 1N4002L			< COIL >			
D352	8-719-031-85	DIODE 1N4002L			L1	1-754-039-11	ANTENNA, FERRITE-ROD (AM)	
D353	8-719-031-85	DIODE 1N4002L			L3	1-406-545-11	COIL, AIR-CORE	
D354	8-719-031-85	DIODE 1N4002L			L4	1-406-545-11	COIL, AIR-CORE	
D355	8-719-074-44	DIODE 1SS120RX			L5	1-406-485-11	COIL (OSC)	
< IC >				< LIQUID CRYSTAL DISPLAY >				
IC1	8-752-050-16	IC CXA1019M			LCD100	1-803-761-11	DISPLAY PANEL, LIQUID CRYSTAL	
IC50	8-759-188-85	IC BU2614FS			< IC LINK >			
				PS301	1-533-588-11	LINK, IC		



**MAIN**

**MAIN KEY**

**TRANSFORMER**

Ref. No.	Part No.	Description	Remark
< TRANSISTOR >			
Q4	8-729-216-22	TRANSISTOR 2SA1162-G	
Q50	8-729-120-28	TRANSISTOR 2SC1623-L5L6	
Q51	8-729-120-28	TRANSISTOR 2SC1623-L5L6	
Q53	8-729-120-28	TRANSISTOR 2SC1623-L5L6	
Q54	8-729-120-28	TRANSISTOR 2SC1623-L5L6	
Q57	8-729-840-00	TRANSISTOR 2SD400-E	
< RESISTOR >			
R3	1-216-097-00	RES, CHIP 100K	5% 1/10W
R4	1-216-057-00	METAL CHIP 2.2K	5% 1/10W
R5	1-216-037-00	METAL CHIP 330	5% 1/10W
R6	1-216-049-11	RES, CHIP 1K	5% 1/10W
R8	1-216-097-00	RES, CHIP 100K	5% 1/10W
R9	1-216-121-00	RES, CHIP 1M	5% 1/10W
R10	1-216-073-00	METAL CHIP 10K	5% 1/10W
R11	1-216-017-00	RES, CHIP 47	5% 1/10W
R12	1-216-065-00	RES, CHIP 4.7K	5% 1/10W
R14	1-216-071-00	METAL CHIP 8.2K	5% 1/10W
R15	1-216-198-00	RES, CHIP 1K	5% 1/8W
R16	1-216-073-00	METAL CHIP 10K	5% 1/10W
R18	1-216-097-00	RES, CHIP 100K	5% 1/10W
R48	1-216-033-00	METAL CHIP 220	5% 1/10W
R49	1-216-049-11	RES, CHIP 1K	5% 1/10W
R50	1-216-073-00	METAL CHIP 10K	5% 1/10W
R51	1-216-097-00	RES, CHIP 100K	5% 1/10W
R52	1-216-073-00	METAL CHIP 10K	5% 1/10W
R54	1-216-073-00	METAL CHIP 10K	5% 1/10W
R56	1-216-166-00	RES, CHIP 47	5% 1/8W
R57	1-216-198-00	RES, CHIP 1K	5% 1/8W
R58	1-216-198-00	RES, CHIP 1K	5% 1/8W
R59	1-216-198-00	RES, CHIP 1K	5% 1/8W
R61	1-216-017-00	RES, CHIP 47	5% 1/10W
R62	1-216-029-00	METAL CHIP 150	5% 1/10W
R63	1-216-029-00	METAL CHIP 150	5% 1/10W
R64	1-216-029-00	METAL CHIP 150	5% 1/10W
R65	1-216-029-00	METAL CHIP 150	5% 1/10W
R66	1-216-182-00	RES, CHIP 220	5% 1/8W
R67	1-216-182-00	RES, CHIP 220	5% 1/8W
R69	1-216-041-00	METAL CHIP 470	5% 1/10W
R133	1-216-065-00	RES, CHIP 4.7K	5% 1/10W
R134	1-216-065-00	RES, CHIP 4.7K	5% 1/10W
R135	1-216-065-00	RES, CHIP 4.7K	5% 1/10W
R136	1-216-065-00	RES, CHIP 4.7K	5% 1/10W
R137	1-216-065-00	RES, CHIP 4.7K	5% 1/10W
R138	1-216-097-00	RES, CHIP 100K	5% 1/10W
R139	1-216-109-00	METAL CHIP 330K	5% 1/10W
R140	1-216-214-00	RES, CHIP 4.7K	5% 1/8W
R141	1-216-214-00	RES, CHIP 4.7K	5% 1/8W
R142	1-216-065-00	RES, CHIP 4.7K	5% 1/10W
R143	1-216-246-00	RES, CHIP 100K	5% 1/8W
R144	1-216-001-00	METAL CHIP 10	5% 1/10W
R145	1-216-081-00	METAL CHIP 22K	5% 1/10W
R147	1-216-057-00	METAL CHIP 2.2K	5% 1/10W
R148	1-216-073-00	METAL CHIP 10K	5% 1/10W
R149	1-216-222-00	RES, CHIP 10K	5% 1/8W
R155	1-216-049-11	RES, CHIP 1K	5% 1/10W

Ref. No.	Part No.	Description	Remark
R351	1-216-198-00	RES, CHIP 1K	5% 1/8W
< SWITCH >			
S50	1-571-478-11	SWITCH, SLIDE (BRIGHTNESS)	
S101	1-554-088-00	SWITCH, KEY BOARD (CLOCK AUTO ADJUST)	
< TRANSFORMER >			
T1	1-404-790-11	TRANSFORMER, IF	
< TRIMMER >			
TC1	1-141-601-21	CAP, ADJ	
TC3	1-141-601-21	CAP, ADJ	
< VARIABLE RESISTOR >			
VR1	1-228-790-00	RES, VAR, CARBON 50K (VOL)	
< VIBRATOR >			
X50	1-767-517-11	VIBRATOR, CRYSTAL (75kHz)	
X100	1-567-098-41	VIBRATOR, CRYSTAL (32.768kHz)	
X101	1-760-641-21	VIBRATOR, CERAMIC (4.19MHz)	
*****			
*	1-671-840-11	MAIN KEY BOARD	*****
< SWITCH >			
S207	1-553-856-00	SWITCH, KEY BOARD (1, WAKE UP STATION)	
S208	1-553-856-00	SWITCH, KEY BOARD (ALARM RESET, RASIO OFF)	
S209	1-553-856-00	SWITCH, KEY BOARD (BAND)	
S210	1-553-856-00	SWITCH, KEY BOARD (5)	
S211	1-553-856-00	SWITCH, KEY BOARD (SLEEP, RADIO ON)	
S212	1-553-856-00	SWITCH, KEY BOARD (CLOCK)	
S213	1-553-856-00	SWITCH, KEY BOARD (+, TUNE/TIME SET)	
S214	1-553-856-00	SWITCH, KEY BOARD (-, TUNE/TIME SET)	
S215	1-553-856-00	SWITCH, KEY BOARD (3)	
S216	1-553-856-00	SWITCH, KEY BOARD (4)	
S217	1-553-856-00	SWITCH, KEY BOARD (SNOOZE/DATE/SLEEP OFF)	
S218	1-553-856-00	SWITCH, KEY BOARD (2)	
*****			
*	1-671-842-11	TRANSFORMER BOARD	*****
*	1-535-771-11	TERMINAL	
△	1-555-795-00	CORD, POWER	
< CONNECTOR >			
* CN301	1-564-706-11	PIN, CONNECTOR (SMALL TYPE) 4P	
< TRANSFORMER >			
△ T301	1-433-601-11	TRANSFORMER, POWER	
*****			

The components identified by mark △ or dotted line with mark △ are critical for safety. Replace only with part number specified.

# ICF-C795RC

<u>Ref. No.</u>	<u>Part No.</u>	<u>Description</u>	<u>Remark</u>
		MISCELLANEOUS *****	
△ 10	1-555-795-00	CORD, POWER	
65	1-791-673-11	CORD, CONNECTION	
L451	1-754-082-11	ANTENNA, FERRITE-ROD	
SP301	1-504-748-21	SPEAKER (6.6cm)	
△ T301	1-433-601-11	TRANSFORMER, POWER	

\*\*\*\*\*

## ACCESSORIES & PACKING MATERIALS

\*\*\*\*\*

3-867-545-11 MANUAL, INSTRUCTION  
(ENGLISH, FRENCH, GERMAN, DUTCH)

The components identified by mark △ or dotted line with mark △ are critical for safety. Replace only with part number specified.