

# ICF-C280

## SERVICE MANUAL

Canadian Model

The mechanical and electrical specifications of ICF-C280 are almost same as them of ICF-C240.

Therefore this manual contains only the points which differ from ICF-C240. For the informations not contained in this manual, please refer to ICF-C240 service manuals (9-955-600-□□).

### 1. ELECTRICAL PARTS LIST

**NOTE:**

- Due to standardization, replacements in the parts list may be different from the parts specified in the diagrams or the components used on the set.
- RESISTORS  
All resistors are in ohms.  
METAL: Metal-film resistor.  
METAL OXIDE: Metal oxide-film resistor.  
F: nonflammable
- Items marked "\*" are not stocked since they are seldom required for routine service. Some delay should be anticipated when ordering these items.
- CAPACITORS  
uF:  $\mu$ F

The components identified by mark  $\Delta$  or dotted line with mark  $\Delta$  are critical for safety. Replace only with part number specified.

Les composants identifiés par une marque  $\Delta$  sont critiques pour la sécurité. Ne les remplacer que par une pièce portant le numéro spécifié.

Ref. No.	ICF-C280	
	Part No.	Description
	A-3662-058-A	MAIN BOARD, COMPLETE
	*1-575-159-11	CORD, CONNECTION
C8	1-161-049-00	CERAMIC 0.0068 $\mu$ F 10% 50V
C10	1-126-964-11	ELECT 10 $\mu$ F 20% 50V
C11	1-126-948-11	ELECT 100 $\mu$ F 20% 35V
C14	1-126-233-11	ELECT(SMALL) 22 $\mu$ F 20% 50V
C15	1-124-902-00	ELECT 0.47 $\mu$ F 20% 50V
C17	1-126-964-11	ELECT 10 $\mu$ F 20% 50V
C18	1-124-927-11	ELECT 4.7 $\mu$ F 20% 100V
C19	1-102-936-00	CERAMIC 3PF 0.25PF 50V
C20	1-102-959-00	CERAMIC 22PF 5% 50V
C22	1-124-902-00	ELECT 0.47 $\mu$ F 20% 50V
C23	1-124-902-00	ELECT 0.47 $\mu$ F 20% 50V
C24	1-126-233-11	ELECT(SMALL) 22 $\mu$ F 20% 50V
C34	1-124-902-00	ELECT 0.47 $\mu$ F 20% 50V
C35	1-126-948-11	ELECT 100 $\mu$ F 20% 35V
CF1	1-567-166-00	FILTER, CERAMIC
L4	1-428-163-11	COIL, AIR-CORE
L5	*1-428-164-11	COIL, AIR-CORE
L6	*1-428-164-11	COIL, AIR-CORE
Q2	8-729-142-46	TRANSISTOR 2SC2001-LK
R4	1-247-888-11	CARBON 240K 5% 1/4W
S1	1-572-262-11	SWITCH, SLIDE(FUNCTION)
S2	1-552-370-00	SWITCH, SLIDE(BAND)
T1	$\Delta$ 1-449-801-21	TRANSFORMER, POWER

**Note:**

**HOW TO CHANGED THE CERAMIC FILTERS**

This model is used tow ceramic filters of CF1-1, CF1-2.

You must used same type of color marked ceramic filters in order to meet same specifications.

Therefore, the ceramic filter must changed two pieces together since it's supply two pieces in one package as a spare parts.

	color mark	center frequency
	red	10.70 MHz
	blue	10.67 MHz
	orange	10.73 MHz
	black	10.64 MHz
	white	10.76 MHz


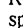
FM/AM CLOCK RADIO  
**SONY**®

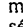
## 2. EXPLODED VIEW

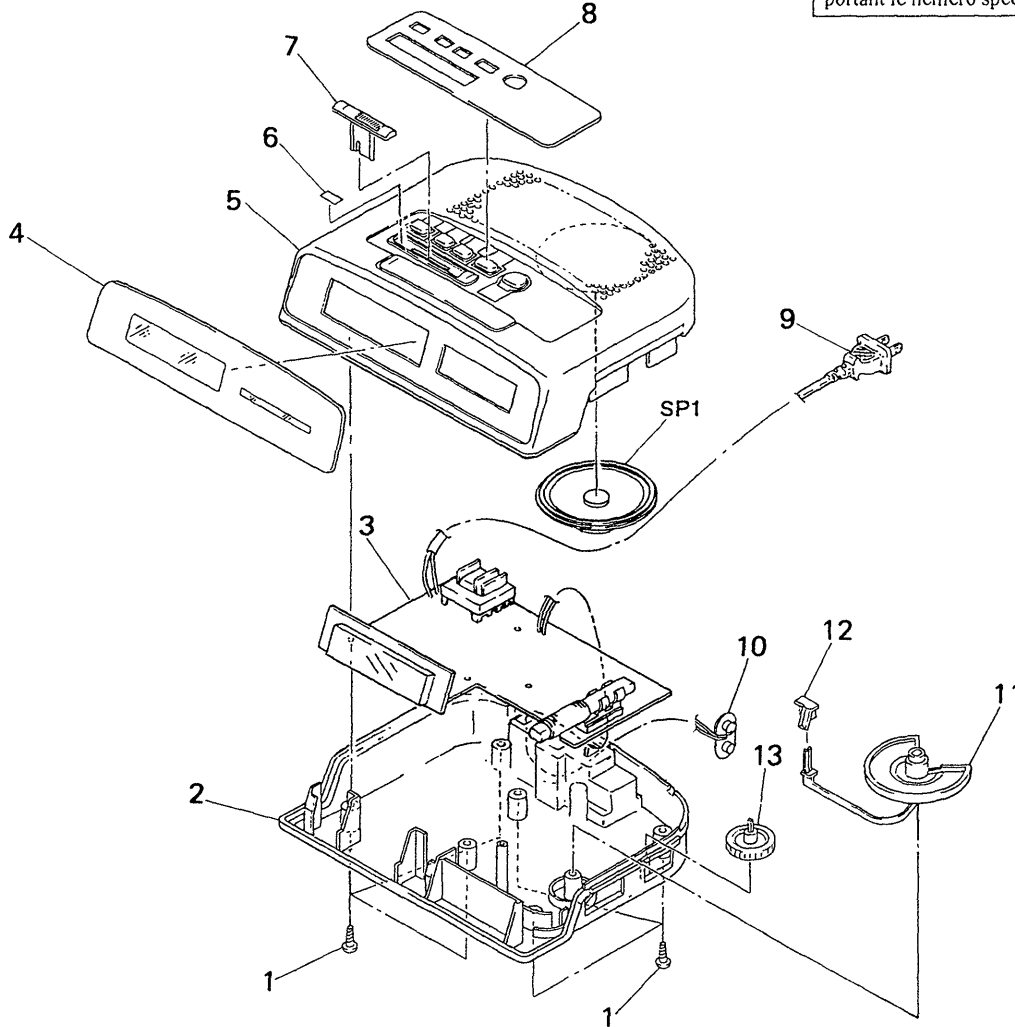
### NOTE:


- Items marked "\*" are not stocked since they are seldom required for routine service. Some delay should be anticipated when ordering these items.

- Color Indication of Appearance Parts  
Example:  
KNOB, BALANCE (WHITE)  
↑  
Parts Color
- The mechanical parts with no reference number in the exploded views are not supplied.

The components identified by mark  or dotted line with mark  are critical for safety. Replace only with part number specified.

Les composants identifiés par une marque  sont critiques pour la sécurité. Ne les remplacer que par une pièce portant le numéro spécifié.



Ref. No.	Part No.	Description	Remark	Ref. No.	Part No.	Description	Remark
1	7-685-648-79	SCREW +BTP3×12 TYPE2 N-S		10	1-535-804-21	SNAP, BATTERY	
2	3-913-827-61	CABINET (LOWER) (BLACK)		11	3-902-474-01	KNOB (TUNING)	
	3-913-827-71	CABINET (LOWER) (WHITE)		12	* 3-913-829-01	CAP (POINTER)	
3	* A-3662-058-A	MAIN BOARD, COMPLETE		13	3-902-091-01	KNOB (VOL)	
4	3-913-828-61	PLATE, TRANSPARENT		SP1	1-503-082-00	SPEAKER	
5	3-913-826-01	CABINET (UPPER) (BLACK)				ACCESSORIES & PACKING MATERIALS	
	3-913-826-11	CABINET (UPPER) (WHITE)				*****	
6	3-916-616-01	SEAL (FUNCTION)				3-758-757-11	MANUAL, INSTRUCTION
7	3-377-808-01	KNOB (FUNCTION) (BLACK)				(English, French, German, Spanish)	
	3-377-808-41	KNOB (FUNCTION) (WHITE)				* 3-916-937-01	INDIVIDUAL CARTON
8	3-913-833-01	PLATE, ORNAMENTAL (BLACK)					
	3-913-833-11	PLATE, ORNAMENTAL (WHITE)					
 9	1-696-008-11	CORD, POWER					