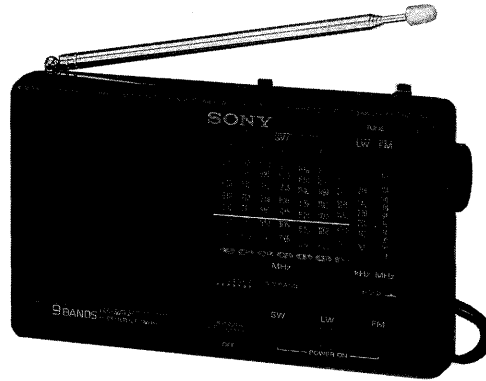


ICF-SW15L

SERVICE MANUAL

French Model



SPECIFICATIONS

Frequency range	FM: 87.6 – 107.5 MHz SW1: 5.775 – 6.425 MHz SW2: 6.875 – 7.525 MHz SW3: 9.375 – 10.025 MHz SW4: 11.615 – 12.265 MHz SW5: 15.00 – 15.65 MHz SW6: 17.50 – 18.15 MHz SW7: 21.325 – 21.975 MHz LW: 153 – 279 kHz
Antenna	FM/SW: Telescopic antenna LW: Built-in ferrite bar antenna
Speaker	Approx. 6.6 cm (2½ inches) dia. 4Ω
Power output	260 mW (at 10% harmonic distortion)
Output	Earphone jack (minijack)
Power requirements	4.5 V DC, three R6 (size AA) batteries DC IN 4.5 V jack accepts: AC power adaptor AC-E45M (not supplied) Car battery cord DCC-E145L (not supplied)
Battery life	Approx. 27 hours with Sony SUM-3 (NS)
Dimensions	Approx. 165 × 99 × 35 mm (w/h/d) (6½ × 4 × 1¼ inches)
Mass	Approx. 380 g (13.4 oz) incl. batteries
Supplied accessories	Carrying case (1), Short wave guide (1)
Accessories not supplied	AC power adaptor *AC-E45M Car battery cord DCC-E145L LW/MW/SW wide range antenna AN-1 Earphone ME-81

* The voltage of power supply is different depending on the country. Please buy an AC power adaptor in the country where the radio is to be used.

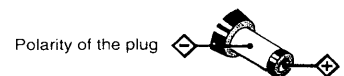
Design and specifications subject to change without notice.

Features

- FM/LW/SW1–7 9 band receiver with high sensitivity and selectivity.
- Band spread system enables you to easily tune in SW stations.
- Dual conversion circuit effectively reduces SW bands interference from other SW stations.

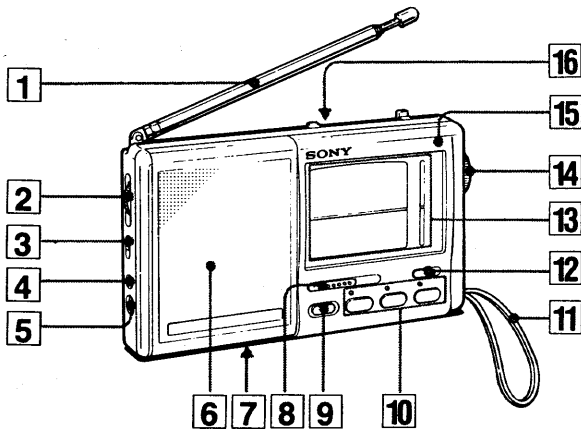
Notes

- When the AC power adaptor is not used, be sure to unplug it both from the DC IN 4.5 V jack and from a wall outlet.
- Use only the AC power adaptor AC-E45M (not supplied). Do not use any other AC power adaptor.



FM/LW/SW1-7
9 BAND RECEIVER
SONY®

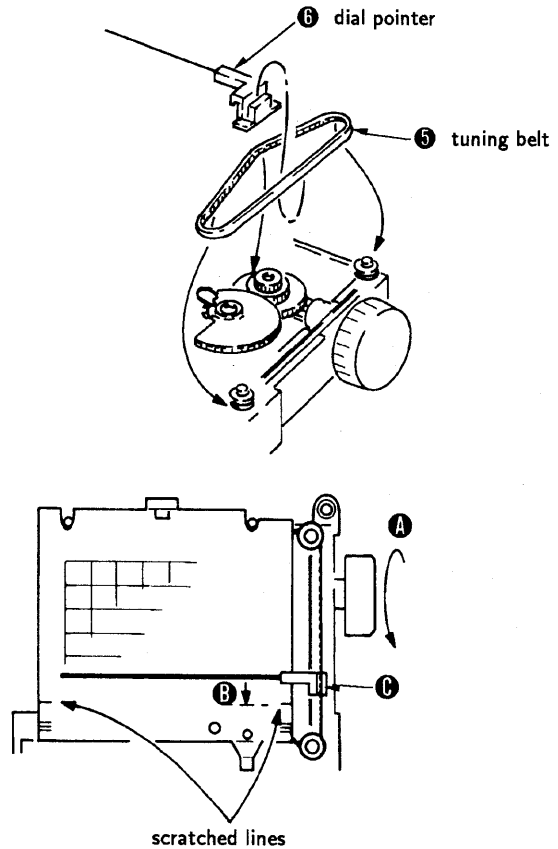
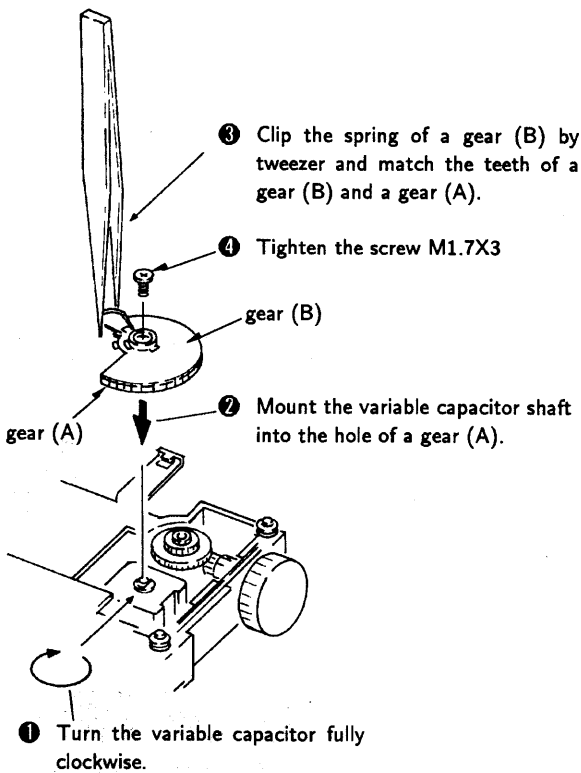
Location of Controls



- 1 Telescopic antenna
- 2 VOLUME control
- 3 TONE (MUSIC/NEWS) selector
MUSIC: for listening to the music
NEWS: for listening to news, etc.
- 4 Ⓜ (earphone) jack
- 5 DC IN 4.5 V (external power input) jack
- 6 Speaker
- 7 Battery compartment (bottom)
- 8 SW BAND SELECTOR
- 9 OFF (power off) button
- 10 POWER ON/BAND FM/LW/SW buttons and indicators
When you press one of the buttons, the unit is turned on and the indicator lights up.
- 11 Hand strap
- 12 HOLD switch
Slide it in the direction of the arrow (HOLD):
When listening, to avoid accidental change of the functions.
When not using, to prevent accidental pressing to turn the power on.
- 13 Dial scales
- 14 TUNING control
- 15 TUNE (tuning) indicator
The indicator lights up when a signal is received.
- 16 Stand (rear)

SECTION 1 DIAL POINTER SETTING

Note: Follow the assembly procedure in the numerical order given.



- 7 First, turn the tuning shaft fully in the arrow A direction. Move only the dial pointer in the arrow B direction and set it on the scratched lines on the dial scale plate. Apply suitable locking compound to C portion.

SECTION 2 ELECTRICAL ADJUSTMENTS

[LW SECTION]

BAND switch : LW

AM rf signal generator



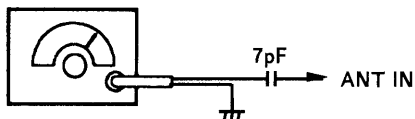
put the lead-wire antenna close to the set

30% amplitude modulation by 400Hz signal
Output level : as low as possible

[SW SECTION]

BAND switch : SW

AM rf signal generator

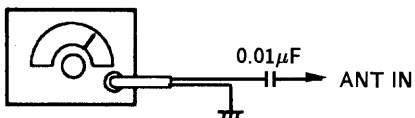


30% amplitude modulation by 400Hz signal
Output level : as low as possible

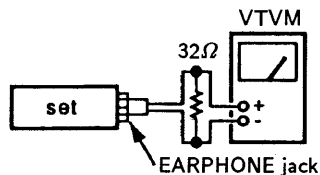
[FM SECTION]

BAND switch : FM

FM rf signal generator



400Hz, 30% FM modulation
frequency deviation ± 22.5 kHz
Output level : as low as possible



- Repeat the procedures in each adjustment several times, and the frequency coverage and tracking adjustments should be finally done by the trimmer capacitors.
- SW1 to 7 Tracking Adjustment frequencies are in a line on the scale.
Therefore, on adjusting, first SW1 6.1 MHz and after adjust SW2 to 7 Tracking without moving the dial pointer.

LW IF ADJUSTMENT

Adjust for a maximum reading on VTVM.

T3	455 kHz
----	---------

LW FREQUENCY COVERAGE ADJUSTMENT

Adjust for a maximum reading on VTVM.

L15	145 kHz
-----	---------

CT7	300 kHz
-----	---------

LW TRACKING ADJUSTMENT

Adjust for a maximum reading on VTVM.

L12	170 kHz
-----	---------

CT6	270 kHz
-----	---------

SW IF (1) ADJUSTMENT

Adjust for a maximum reading on VTVM.

T1	10.6 MHz
----	----------

SW IF (2) ADJUSTMENT

Adjust for a maximum reading on VTVM.

T2	455 kHz
----	---------

SW1 FREQUENCY COVERAGE ADJUSTMENT

Adjust for a maximum reading on VTVM.

T4	5.75 MHz
----	----------

CT1	6.45 MHz
-----	----------

SW1 TRACKING ADJUSTMENT

Adjust for a maximum reading on VTVM.

L1	6.1 MHz
----	---------

SW2 TRACKING ADJUSTMENT

Adjust for a maximum reading on VTVM.

L2	7.2 MHz
----	---------

SW3 TRACKING ADJUSTMENT

Adjust for a maximum reading on VTVM.

L3	9.7 MHz
----	---------

SW4 TRACKING ADJUSTMENT

Adjust for a maximum reading on VTVM.

L4	11.94 MHz
----	-----------

SW5 TRACKING ADJUSTMENT	
Adjust for a maximum reading on VTVM.	
L5	15.325 MHz

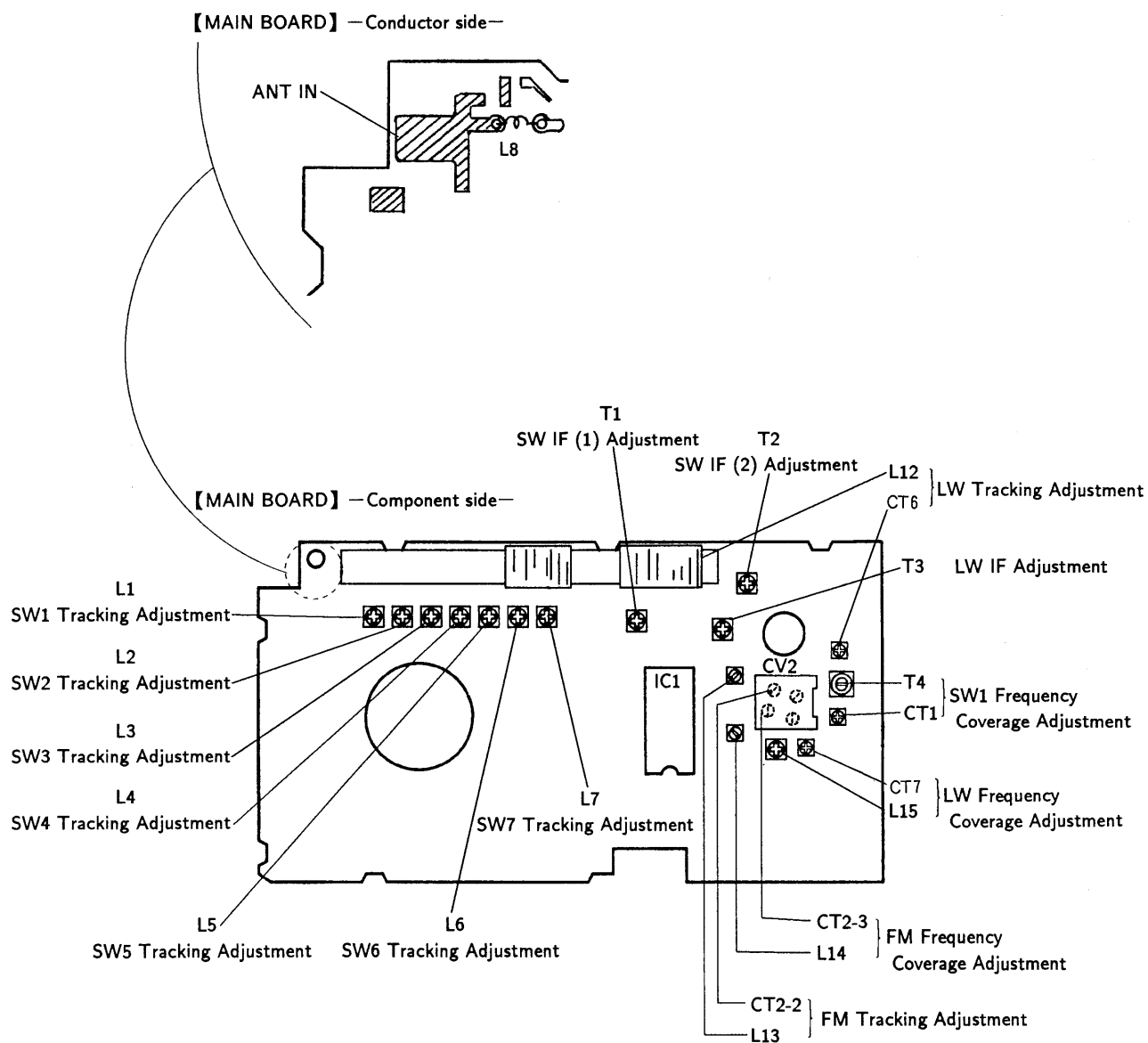
SW6 TRACKING ADJUSTMENT	
Adjust for a maximum reading on VTVM.	
L6	17.825 MHz

SW7 TRACKING ADJUSTMENT	
Adjust for a maximum reading on VTVM.	
L7	21.65 MHz

FM FREQUENCY COVERAGE ADJUSTMENT	
Adjust for a maximum reading on VTVM.	
L14	87.3 MHz
CT2-3	108.35 MHz

FM TRACKING ADJUSTMENT	
Adjust for a maximum reading on VTVM.	
L13	87.3 MHz
CT2-2	108.35 MHz

ADJUSTMENT LOCATION



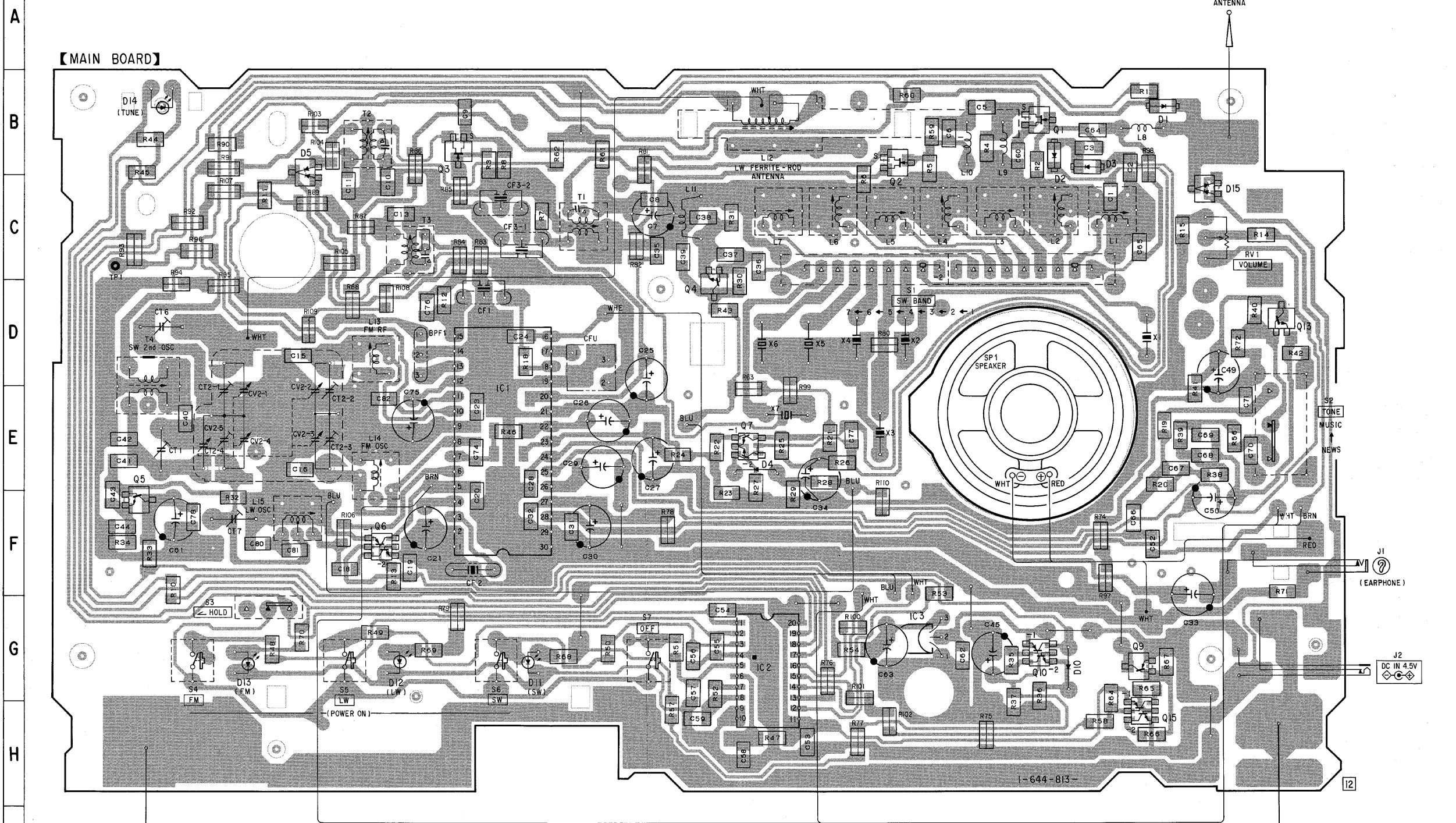
**SECTION 3
DIAGRAMS**

● Semiconductor Location

Ref. No.	Location
D1	B-11
D2	B-10
D3	B-11
D4	E-7
D5	B-3
D10	G-10
D11	G-5
D12	G-4
D13	G-3
D14	B-2
D15	C-12
IC1	E-5
IC2	G-8
IC3	G-9
Q1	B-10
Q2	B-9
Q3	B-5
Q4	D-7
Q5	F-2
Q6	F-4
Q7	E-7
Q9	G-11
Q10	G-10
Q13	D-13
Q15	H-11

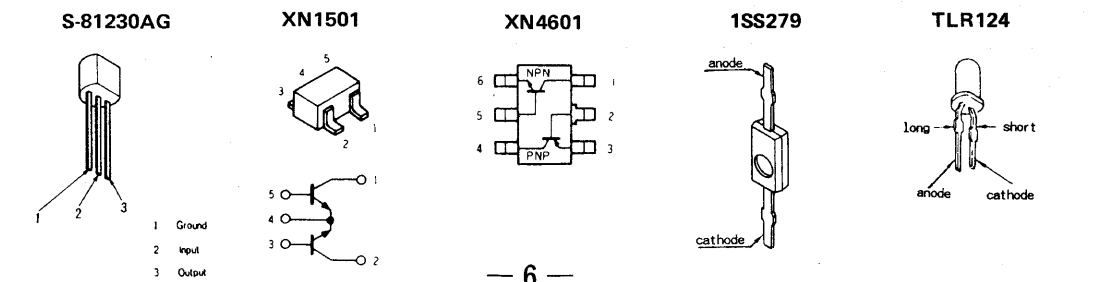
1 2 3 4 5 6 7 8 9 10 11 12 13 14

3-1. PRINTED WIRING BOARDS



117
 DRY BATTERY
 SIZE "AA"
 (IEC DESIGNATION R6)
 3PCS, 4.5V

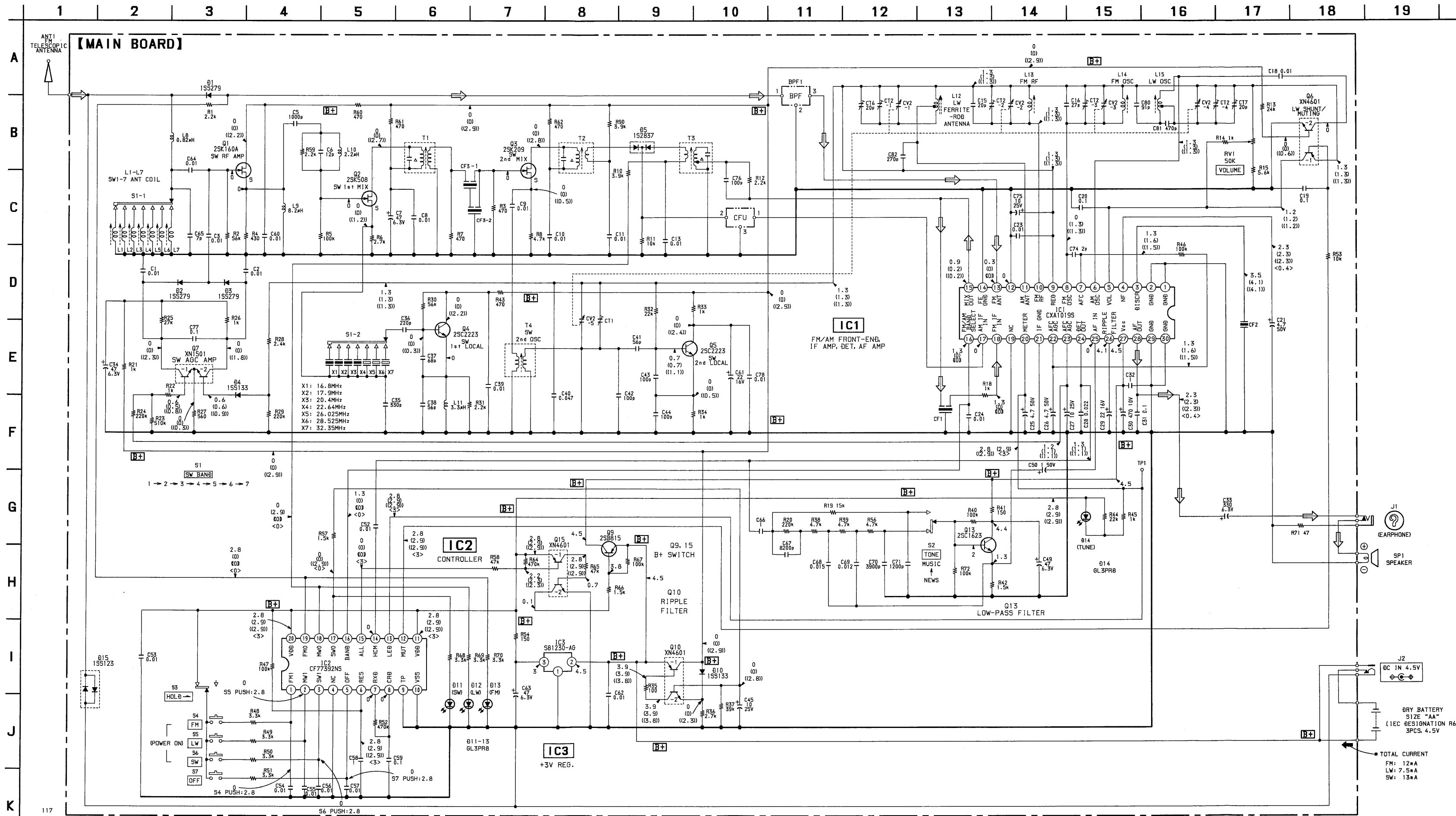
3-2. SEMICONDUCTOR LEAD LAYOUTS



Note:

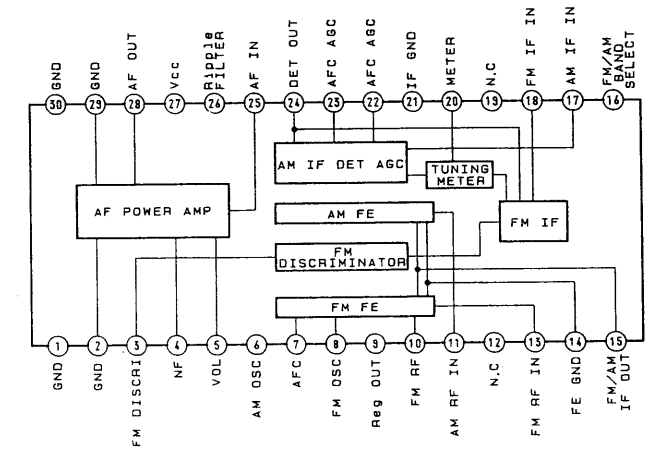
- : parts extracted from the component side.
- : parts extracted from the conductor side.
- ▨ : Pattern on the side which is seen.

3-3. SCHEMATIC DIAGRAMS

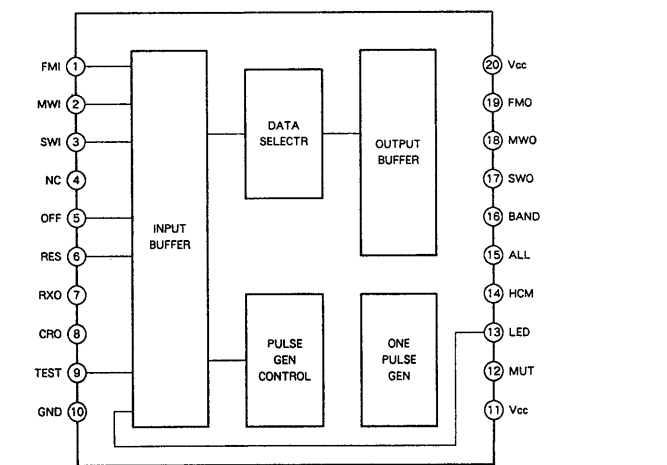


3-4. IC BLOCK DIAGRAMS

IC1 CXA1019S



IC2 CF77392NC



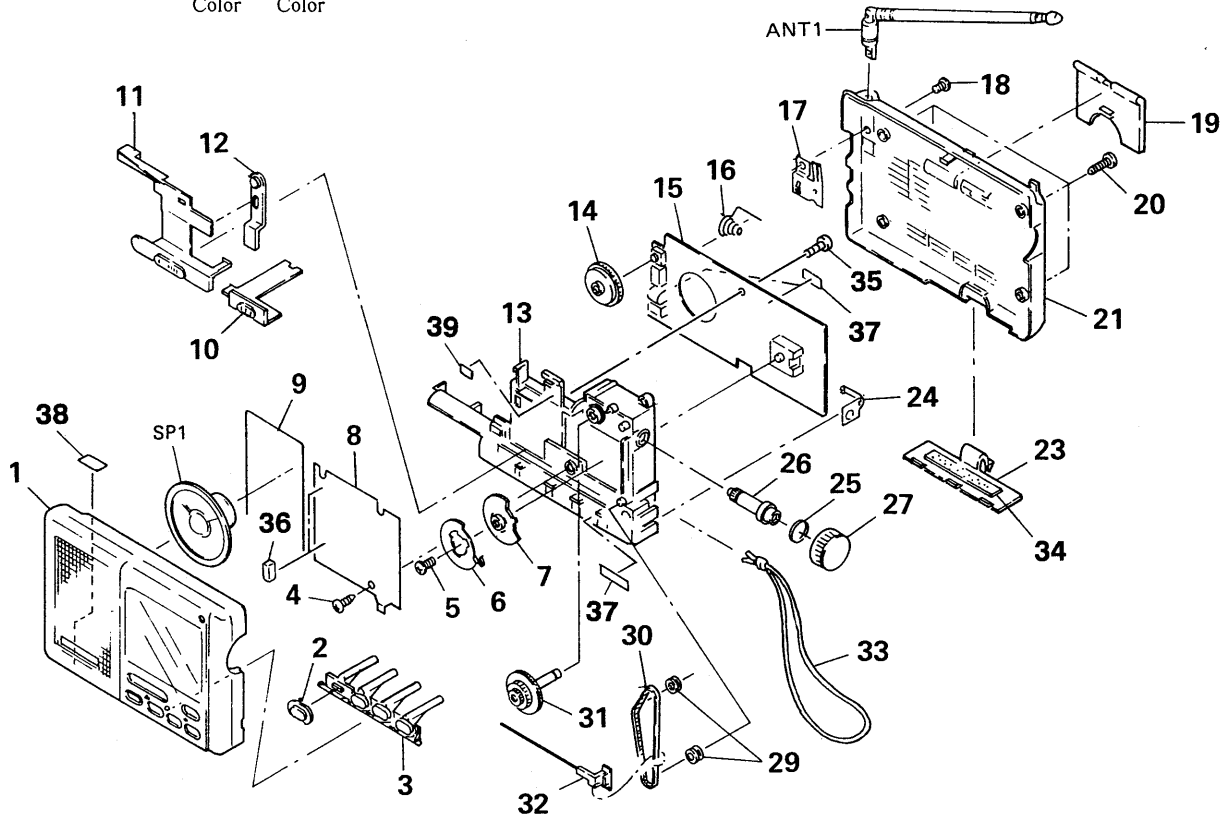
Note:

- All capacitors are in μF unless otherwise noted. pF : μF 50WV or less are not indicated except for electrolytics and tantalums.
- All resistors are in Ω and $\frac{1}{4}\text{W}$ or less unless otherwise specified.
- Δ : internal component.
- $B+$: B+ line.
- Voltage and waveforms are dc with respect to ground under no-signal (detuned) conditions.
- no mark: FM
(): LW
(()): SW
< >: OFF
- Voltages are taken with a VOM. (Input impedance 10M Ω) Voltage variations may be noted due to normal production tolerances.
- Signal path.
⇨: FM

SECTION 4 EXPLODED VIEW

NOTE:

- -XX,-X mean standardized parts, so they may have some difference from the original one.
- Color indication of Appearance Parts.
Example:
KNOB,BALANCE (WHITE) . . . (RED)
- Items marked "*" are not stocked since they are seldom required for routine service. Some delay should be anticipated when ordering these items.
- The mechanical parts with no reference number in the exploded views are not supplied.
- Hardware (# mark) list is given in the last of this parts list.



Ref. No.	Part No.	Description	Remark	Ref. No.	Part No.	Description	Remark
1	X-3365-878-1	CABINET (FRONT) ASSY		21	3-380-925-11	CABINET (REAR)	
2	3-380-912-01	BUTTON (OFF)		23	3-380-922-01	LID, BATTERY CASE	
3	3-380-923-01	BUTTON (BAND)		24	3-382-006-01	TERMINAL, BATTERY	
4	7-685-131-19	SCREW +P 2. 6X4 TYPE2 SLIT		25	3-386-845-01	SPRING, RING	
5	3-880-990-00	SCREW (1. 7X3), FLAT, (+) SPECIAL		26	3-380-908-01	SHAFT (TUN)	
6	3-382-003-01	GEAR (B), TUNING CAPACITOR		27	3-380-909-01	KNOB (TUN)	
7	3-380-914-01	GEAR (A), TUNING CAPACITOR		29	3-900-157-01	PULLEY	
8	3-380-915-01	SCALE, DIAL		30	3-382-324-01	BELT (TUN)	
9	3-382-325-01	SPRING (SP)		31	3-380-910-01	GEAR, MIDWAY	
10	3-380-917-01	KNOB (HOLD)		32	3-380-916-01	POINTER	
11	3-380-921-01	KNOB (SW)		33	3-383-019-01	STRAP, HAND	
12	3-380-911-01	INDICATOR		34	9-911-815-01	CUSHION (A)	
* 13	3-380-926-01	CHASSIS		35	7-685-135-19	SCREW +P 2. 6X10 TYPE2 NON-SLIT	
14	3-380-913-01	KNOB (VOL)		36	9-911-845-XX	CUSHION (A)	
* 15	A-3679-491-A	MAIN BOARD, COMPLETE		37	3-831-441-XX	CUSHION	
16	3-382-322-01	TERMINAL (MINUS), BATTERY		* 38	3-342-612-01	TAPE, SW (D) REED	
17	3-382-005-01	PLATE, CONTACT, ANTENNA		39	3-831-441-11	CUSHION (B)	
18	7-627-556-37	SCREW, PRECISION +P2. 6X4 TYPE 1		ANT1	1-501-543-11	ANTENNA, TELESCOPIC	
19	3-380-918-01	STAND		SP1	1-544-758-11	SPEAKER (6. 6CM)	
20	7-685-138-19	SCREW +P 2. 6X16 TYPE2 NON-SLIT					

SECTION 5 ELECTRICAL PARTS LIST

NOTE:

- Due to standardization, replacements in the parts list may be different from the parts specified in the diagrams or the components used on the set.
- -XX and -X mean standardized parts, so they may have some difference from the original one.
- RESISTORS
All resistors are in ohms.
METAL: Metal-film resistor.
METAL OXIDE: Metal oxide-film resistor.
F: nonflammable

- Items marked "*" are not stocked since they are seldom required for routine service. Some delay should be anticipated when ordering these items.
- SEMICONDUCTORS
In each case, u: μ , for example:
uA...: μ A... uPA...: μ PA...
uPB...: μ PB... uPC...: μ PC... uPD...: μ PD...
- CAPACITORS
uF: μ F
- COILS
uH: μ H

When indicating parts by reference number, please include the board.

Ref. No.	Part No.	Description	Remark	Ref. No.	Part No.	Description	Remark
*	A-3679-491-A	MAIN BOARD, COMPLETE *****		C36	1-163-001-11	CERAMIC CHIP 220PF	10% 50V
*	3-380-924-01	HOLDER < FILTER >		C37	1-163-113-00	CERAMIC CHIP 68PF	5% 50V
	BPF1	1-239-359-11 FILTER, BAND PASS < CAPACITOR >		C38	1-163-111-00	CERAMIC CHIP 56PF	5% 50V
C1	1-164-232-11	CERAMIC CHIP 0.01uF	50V	C39	1-164-232-11	CERAMIC CHIP 0.01uF	50V
C2	1-164-232-11	CERAMIC CHIP 0.01uF	50V	C40	1-163-809-11	CERAMIC CHIP 0.047uF	10% 25V
C3	1-164-232-11	CERAMIC CHIP 0.01uF	50V	C41	1-163-111-00	CERAMIC CHIP 56PF	5% 50V
C5	1-163-009-11	CERAMIC CHIP 0.001uF	10% 50V	C42	1-163-377-11	CERAMIC CHIP 100PF	5% 50V
C6	1-163-095-00	CERAMIC CHIP 12PF	5% 50V	C43	1-163-251-11	CERAMIC CHIP 100PF	5% 50V
C7	1-126-154-11	ELECT 47uF	20% 6.3V	C44	1-163-251-11	CERAMIC CHIP 100PF	5% 50V
C8	1-164-232-11	CERAMIC CHIP 0.01uF	50V	C45	1-126-096-11	ELECT 10uF	20% 35V
C9	1-164-232-11	CERAMIC CHIP 0.01uF	50V	C49	1-126-154-11	ELECT 47uF	20% 6.3V
C10	1-164-232-11	CERAMIC CHIP 0.01uF	50V	C50	1-124-903-11	ELECT 1uF	20% 50V
C11	1-164-232-11	CERAMIC CHIP 0.01uF	50V	C52	1-164-232-11	CERAMIC CHIP 0.01uF	50V
C13	1-164-232-11	CERAMIC CHIP 0.01uF	50V	C53	1-164-232-11	CERAMIC CHIP 0.01uF	50V
C15	1-163-100-00	CERAMIC CHIP 20PF	5% 50V	C54	1-164-232-11	CERAMIC CHIP 0.01uF	50V
C16	1-163-103-00	CERAMIC CHIP 27PF	5% 50V	C55	1-164-232-11	CERAMIC CHIP 0.01uF	50V
C18	1-164-232-11	CERAMIC CHIP 0.01uF	50V	C56	1-164-232-11	CERAMIC CHIP 0.01uF	50V
C19	1-164-004-11	CERAMIC CHIP 0.1uF	10% 25V	C57	1-164-232-11	CERAMIC CHIP 0.01uF	50V
C20	1-164-004-11	CERAMIC CHIP 0.1uF	10% 25V	C58	1-162-638-11	CERAMIC CHIP 1uF	16V
C21	1-126-163-11	ELECT 4.7uF	20% 50V	C59	1-164-004-11	CERAMIC CHIP 0.1uF	10% 25V
C23	1-164-232-11	CERAMIC CHIP 0.01uF	50V	C60	1-164-232-11	CERAMIC CHIP 0.01uF	50V
C24	1-164-232-11	CERAMIC CHIP 0.01uF	50V	C61	1-124-234-00	ELECT 22uF	20% 16V
C25	1-126-163-11	ELECT 4.7uF	20% 50V	C62	1-164-232-11	CERAMIC CHIP 0.01uF	50V
C26	1-126-163-11	ELECT 4.7uF	20% 50V	C63	1-126-154-11	ELECT 47uF	20% 6.3V
C27	1-126-096-11	ELECT 10uF	20% 35V	C64	1-164-232-11	CERAMIC CHIP 0.01uF	50V
C28	1-163-037-11	CERAMIC CHIP 0.022uF	10% 25V	C65	1-163-090-00	CERAMIC CHIP 7PF	50V
C29	1-124-234-00	ELECT 22uF	20% 16V	C66	1-162-638-11	CERAMIC CHIP 1uF	16V
C30	1-124-472-11	ELECT 470uF	20% 10V	C67	1-163-020-00	CERAMIC CHIP 0.0082uF	10% 50V
C31	1-164-004-11	CERAMIC CHIP 0.1uF	10% 25V	C68	1-163-023-00	CERAMIC CHIP 0.015uF	5% 50V
C32	1-164-346-11	CERAMIC CHIP 1uF	16V	C69	1-163-022-00	CERAMIC CHIP 0.012uF	10% 50V
C33	1-124-442-00	ELECT 330uF	20% 6.3V	C70	1-163-016-00	CERAMIC CHIP 0.0039uF	10% 50V
C34	1-126-154-11	ELECT 47uF	20% 6.3V	C71	1-163-010-11	CERAMIC CHIP 0.0012uF	10% 50V
C35	1-163-003-11	CERAMIC CHIP 330PF	10% 50V	C74	1-163-085-00	CERAMIC CHIP 2PF	50V
				C75	1-126-096-11	ELECT 10uF	20% 35V
				C76	1-163-117-00	CERAMIC CHIP 100PF	5% 50V
				C77	1-164-004-11	CERAMIC CHIP 0.1uF	10% 25V
				C78	1-164-232-11	CERAMIC CHIP 0.01uF	50V
				C80	1-163-116-00	CERAMIC CHIP 91PF	5% 50V
				C81	1-163-133-00	CERAMIC CHIP 470PF	5% 50V
				C82	1-163-127-00	CERAMIC CHIP 270PF	5% 50V

MAIN

Ref. No.	Part No.	Description	Remark	Ref. No.	Part No.	Description	Remark
		< FILTER >					
CF1	1-567-097-61	FILTER, CERAMIC		L11	1-410-322-11	INDUCTOR 3.3uH	
CF2	1-577-647-11	FILTER, CERAMIC		L12	1-501-591-11	ANTENNA, FERRITE-ROD (LW)	
CF3	1-577-047-11	FILTER, CERAMIC		L13	1-459-982-11	COIL (WITH CORE)	
		< TRIMMER >		L14	1-460-348-11	COIL (WITH CORE)	
CT1	1-141-442-91	TRIMMER, CERAMIC		L15	1-406-562-11	COIL (OSC)	
CT6	1-141-457-11	CAP, ADJ				< TRANSISTOR >	
CT7	1-141-442-91	TRIMMER, CERAMIC		Q1	8-729-117-83	TRANSISTOR 2SK160A-K25	
		< VARIABLE CAPACITOR >		Q2	8-729-116-64	TRANSISTOR 2SK508-K51	
CV2 } CT2 }	1-151-649-11	CAP, VARIABLE		Q3	8-729-220-93	TRANSISTOR 2SK209-G	
		< DIODE >		Q4	8-729-102-07	TRANSISTOR 2SC2223-F13	
D1	8-719-123-79	DIODE 1SS279		Q5	8-729-102-07	TRANSISTOR 2SC2223-F13	
D2	8-719-123-79	DIODE 1SS279		Q6	8-729-402-84	TRANSISTOR XN4601	
D3	8-719-123-79	DIODE 1SS279		Q7	8-729-402-13	TRANSISTOR XN1501	
D4	8-719-800-76	DIODE 1SS226		Q9	8-729-807-87	TRANSISTOR 2SB1295-UL6	
D5	8-719-400-18	DIODE MA152WK		Q10	8-729-402-84	TRANSISTOR XN4601	
D10	8-719-800-76	DIODE 1SS226		Q13	8-729-120-28	TRANSISTOR 2SC1623-L5L6	
D11	8-719-812-41	LED TLR124		Q15	8-729-402-84	TRANSISTOR XN4601	
D12	8-719-812-41	LED TLR124				< RESISTOR >	
D13	8-719-812-41	LED TLR124		R1	1-216-057-00	METAL CHIP 2.2K 5% 1/10W	
D14	8-719-812-41	LED TLR124		R2	1-216-091-00	METAL CHIP 56K 5% 1/10W	
D15	8-719-800-76	DIODE 1SS226		R3	1-216-041-00	METAL CHIP 470 5% 1/10W	
		< IC >		R4	1-216-040-00	METAL GLAZE 430 5% 1/10W	
IC1	8-752-035-29	IC CXA1019S		R5	1-216-097-00	METAL CHIP 100K 5% 1/10W	
IC2	8-759-979-92	IC CF77392NS-T1		R6	1-216-059-00	METAL CHIP 2.7K 5% 1/10W	
IC3	8-759-937-61	IC S-81230AG		R7	1-216-041-00	METAL CHIP 470 5% 1/10W	
		< JACK >		R8	1-216-065-00	METAL CHIP 4.7K 5% 1/10W	
J1	1-563-836-21	JACK (EARPHONE)		R10	1-216-063-00	METAL CHIP 3.9K 5% 1/10W	
J2	1-580-681-21	JACK, DC (POLARITY UNIFIED TYPE)		R11	1-216-073-00	METAL CHIP 10K 5% 1/10W	
		< COIL >		R12	1-216-057-00	METAL CHIP 2.2K 5% 1/10W	
L1	1-402-334-11	COIL (ANT)		R13	1-216-082-00	METAL GLAZE 24K 5% 1/10W	
L2	1-402-332-11	COIL (ANT)		R14	1-216-049-00	METAL CHIP 1K 5% 1/10W	
L3	1-402-397-11	COIL (ANT)		R15	1-216-067-00	METAL CHIP 5.6K 5% 1/10W	
L4	1-402-331-11	COIL (ANT)		R18	1-216-049-00	METAL CHIP 1K 5% 1/10W	
L5	1-406-261-11	COIL (OSC)		R19	1-216-077-00	METAL CHIP 15K 5% 1/10W	
L6	1-402-433-11	COIL (ANT)		R20	1-216-105-00	METAL CHIP 220K 5% 1/10W	
L7	1-402-330-11	COIL (ANT)		R21	1-216-049-00	METAL CHIP 1K 5% 1/10W	
L8	1-414-021-11	INDUCTOR 0.82uH		R22	1-216-049-00	METAL CHIP 1K 5% 1/10W	
L9	1-414-027-11	INDUCTOR 8.2uH		R23	1-216-114-00	METAL GLAZE 510K 5% 1/10W	
L10	1-410-967-11	INDUCTOR 2.2uH		R24	1-216-105-00	METAL CHIP 220K 5% 1/10W	
				R25	1-216-083-00	METAL CHIP 27K 5% 1/10W	
				R26	1-216-049-00	METAL CHIP 1K 5% 1/10W	
				R27	1-216-043-00	METAL CHIP 560 5% 1/10W	
				R28	1-216-058-00	METAL GLAZE 2.4K 5% 1/10W	
				R29	1-216-105-00	METAL CHIP 220K 5% 1/10W	
				R30	1-216-091-00	METAL CHIP 56K 5% 1/10W	
				R31	1-216-057-00	METAL CHIP 2.2K 5% 1/10W	
				R32	1-216-081-00	METAL CHIP 22K 5% 1/10W	
				R33	1-216-198-00	METAL CHIP 1K 5% 1/8W	

MAIN

Ref. No.	Part No.	Description	Remark		
R34	1-216-049-00	METAL CHIP	1K	5%	1/10W
R35	1-216-025-00	METAL CHIP	100	5%	1/10W
R36	1-216-059-00	METAL CHIP	2.7K	5%	1/10W
R37	1-216-689-11	METAL CHIP	39K	0.5%	1/10W
R38	1-216-065-00	METAL CHIP	4.7K	5%	1/10W
R39	1-216-065-00	METAL CHIP	4.7K	5%	1/10W
R40	1-216-097-00	METAL CHIP	100K	5%	1/10W
R41	1-216-029-00	METAL CHIP	150	5%	1/10W
R42	1-216-053-00	METAL CHIP	1.5K	5%	1/10W
R43	1-216-041-00	METAL CHIP	470	5%	1/10W
R44	1-216-081-00	METAL CHIP	22K	5%	1/10W
R45	1-216-049-00	METAL CHIP	1K	5%	1/10W
R46	1-216-246-00	METAL GLAZE	100K	5%	1/8W
R47	1-216-246-00	METAL GLAZE	100K	5%	1/8W
R48	1-216-061-00	METAL CHIP	3.3K	5%	1/10W
R49	1-216-061-00	METAL CHIP	3.3K	5%	1/10W
R50	1-216-061-00	METAL CHIP	3.3K	5%	1/10W
R51	1-216-061-00	METAL CHIP	3.3K	5%	1/10W
R52	1-216-113-00	METAL CHIP	470K	5%	1/10W
R53	1-216-073-00	METAL CHIP	10K	5%	1/10W
R54	1-216-178-00	METAL GLAZE	150	5%	1/8W
R56	1-216-065-00	METAL CHIP	4.7K	5%	1/10W
R57	1-216-053-00	METAL CHIP	1.5K	5%	1/10W
R58	1-216-089-00	METAL CHIP	47K	5%	1/10W
R59	1-216-057-00	METAL CHIP	2.2K	5%	1/10W
R60	1-216-041-00	METAL CHIP	470	5%	1/10W
R61	1-216-190-00	METAL GLAZE	470	5%	1/8W
R62	1-216-190-00	METAL GLAZE	470	5%	1/8W
R63	1-216-296-00	METAL CHIP	0	5%	1/8W
R64	1-216-113-00	METAL CHIP	470K	5%	1/10W
R65	1-216-089-00	METAL CHIP	47K	5%	1/10W
R66	1-216-053-00	METAL CHIP	1.5K	5%	1/10W
R67	1-216-097-00	METAL CHIP	100K	5%	1/10W
R68	1-216-061-00	METAL CHIP	3.3K	5%	1/10W
R69	1-216-061-00	METAL CHIP	3.3K	5%	1/10W
R70	1-216-061-00	METAL CHIP	3.3K	5%	1/10W
R71	1-216-017-00	METAL CHIP	47	5%	1/10W
R72	1-216-097-00	METAL CHIP	100K	5%	1/10W
R74	1-216-296-00	METAL CHIP	0	5%	1/8W
R75	1-216-296-00	METAL CHIP	0	5%	1/8W
R76	1-216-296-00	METAL CHIP	0	5%	1/8W
R77	1-216-296-00	METAL CHIP	0	5%	1/8W
R78	1-216-296-00	METAL CHIP	0	5%	1/8W
R79	1-216-296-00	METAL CHIP	0	5%	1/8W
R80	1-216-296-00	METAL CHIP	0	5%	1/8W
R81	1-216-295-00	METAL CHIP	0	5%	1/10W
R82	1-216-296-00	METAL CHIP	0	5%	1/8W
R83	1-216-296-00	METAL CHIP	0	5%	1/8W
R84	1-216-296-00	METAL CHIP	0	5%	1/8W

Ref. No.	Part No.	Description	Remark		
R85	1-216-296-00	METAL CHIP	0	5%	1/8W
R86	1-216-296-00	METAL CHIP	0	5%	1/8W
R87	1-216-296-00	METAL CHIP	0	5%	1/8W
R88	1-216-296-00	METAL CHIP	0	5%	1/8W
R89	1-216-296-00	METAL CHIP	0	5%	1/8W
R90	1-216-212-00	METAL CHIP	3.9K	5%	1/8W
R91	1-216-296-00	METAL CHIP	0	5%	1/8W
R92	1-216-296-00	METAL CHIP	0	5%	1/8W
R93	1-216-296-00	METAL CHIP	0	5%	1/8W
R94	1-216-295-00	METAL CHIP	0	5%	1/10W
R95	1-216-296-00	METAL CHIP	0	5%	1/8W
R96	1-216-296-00	METAL CHIP	0	5%	1/8W
R97	1-216-295-00	METAL CHIP	0	5%	1/10W
R98	1-216-295-00	METAL CHIP	0	5%	1/10W
R99	1-216-295-00	METAL CHIP	0	5%	1/10W
R100	1-216-295-00	METAL CHIP	0	5%	1/10W
R101	1-216-295-00	METAL CHIP	0	5%	1/10W
R102	1-216-295-00	METAL CHIP	0	5%	1/10W
R103	1-216-295-00	METAL CHIP	0	5%	1/10W
R104	1-216-295-00	METAL CHIP	0	5%	1/10W
R105	1-216-296-00	METAL CHIP	0	5%	1/8W
R106	1-216-295-00	METAL CHIP	0	5%	1/10W
R107	1-216-296-00	METAL CHIP	0	5%	1/8W
R108	1-216-295-00	METAL CHIP	0	5%	1/10W
R109	1-216-295-00	METAL CHIP	0	5%	1/10W
R110	1-216-295-00	METAL CHIP	0	5%	1/10W
< VARIABLE RESISTOR >					
RV1	1-238-555-11	RES, VAR, CARBON 50K (VOLUME)			
< SWITCH >					
S1	1-554-979-11	SWITCH, SLIDE (SW BAND)			
S2	1-572-761-31	SWITCH, SLIDE (TONE)			
S3	1-553-510-00	SWITCH, SLIDE (HOLD)			
S4	1-692-016-11	SWITCH, KEY BOARD (FM)			
S5	1-692-016-11	SWITCH, KEY BOARD (LW)			
S6	1-692-016-11	SWITCH, KEY BOARD (SW)			
S7	1-692-016-11	SWITCH, KEY BOARD (OFF)			
< TRANSFORMER >					
T1	1-404-764-11	TRANSFORMER, IF			
T2	1-404-362-61	TRANSFORMER, IF			
T3	1-404-362-61	TRANSFORMER, IF			
T4	1-406-498-11	COIL (OSC)			

ICF-SW15L

MAIN

Ref. No.	Part No.	Description	Remark
		< VIBRATOR >	
X1	1-577-447-11	VIBRATOR, CERAMIC (16.8MHz)	
X2	1-577-448-11	VIBRATOR, CERAMIC (17.9MHz)	
X3	1-577-449-11	VIBRATOR, CERAMIC (20.4MHz)	
X4	1-577-445-11	VIBRATOR, CERAMIC (22.64MHz)	
X5	1-579-684-11	VIBRATOR, CRYSTAL (26.025MHz)	
X6	1-579-685-11	VIBRATOR, CRYSTAL (28.525MHz)	
X7	1-579-686-11	VIBRATOR, CRYSTAL (32.35MHz)	

MISCELLANEOUS

ANT1 1-501-543-11 ANTENNA, TELESCOPIC
SP1 1-544-758-11 SPEAKER (6.6CM)

ACCESSORIES & PACKING MATERIALS

3-383-148-01 CASE, CARRYING
* 3-383-531-01 CUSHION, SHEET
* 3-385-682-01 INDIVIDUAL CARTON
3-755-247-71 MANUAL, INSTRUCTION
(ENGLISH/FRENCH)
3-893-940-17 GUIDE, SHORT WAVE