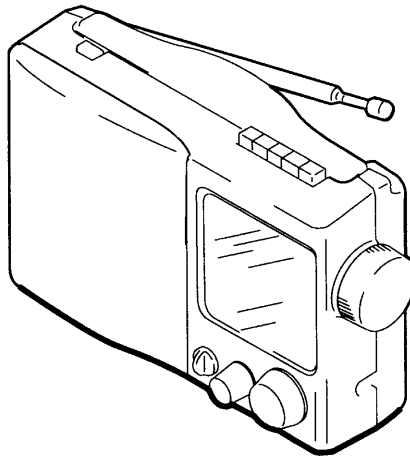


# ICF-9600

## SERVICE MANUAL

AEP Model  
UK Model



### SPECIFICATIONS

**Frequency range:**

FM: 87.5 – 108 MHz  
MW: 526.5 – 1606.5 kHz (Italian)  
530 – 1605 kHz (AEP, UK)  
LW: 153 – 255 kHz  
SW: 5.95 – 18 MHz

**Speaker:**

Approx. 16 cm (6 <sup>3</sup>/<sub>8</sub> inches) dia. 4 ohms

**Power output:**

2 W (at 10% harmonic distortion)

**Output:**

⊙ (earphone) jack (minijack)

**Power requirements:**

With the supplied AC power cord:  
220 – 230 V AC, 50 Hz  
With four R20 (size D) batteries: 6V DC

**Dimensions :**

Approx. 305 x 181.6 x 102.2 mm (W/h/d)  
(12 <sup>1</sup>/<sub>8</sub> x 7 <sup>1</sup>/<sub>4</sub> x 4 <sup>1</sup>/<sub>8</sub> inches) incl. projecting  
parts and control with carrying handle  
pushed in.

**Mass:**

Approx. 2 kg (4 lb 7 oz) incl. batteries

**Supplied accessory:**

AC power cord(1)

Design and specifications are subject to change  
without notice.

FM/SW/MW/LW 4 BAND RADIO



SONY®

## TABLE OF CONTENTS

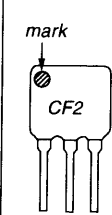
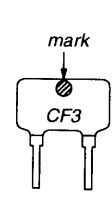
Specification .....	1
<b>1. GENERAL</b>	
Location and Function of Controls .....	3
<b>2. DISASSEMBLY</b>	
2-1. Cabinet (Rear) Assy, Power Board, Jack Board Removal .....	4
2-2. Cabinet (Front) Assy Removal .....	4
2-3. Pointer and Drum (A, B) Removal .....	5
2-4. Main Board Removal .....	5
2-5. Volume Board Removal .....	6
<b>3. DIAL POINTER INSTALLATION</b> .....	7
<b>4. ELECTRICAL ADJUSTMENTS</b> .....	8
<b>5. DIAGRAMS</b>	
5-1. Printed Wiring Boards .....	10
5-2. Schematic Diagram .....	13
<b>6. EXPLODED VIEWS</b>	
6-1. Cabinet Section .....	16
6-2. Chassis Section .....	17
<b>7. ELECTRICAL PARTS LIST</b> .....	18

### ● HOW TO CHANGED THE CERAMIC FILTERS

This model is used two ceramic filters of CF2 and CF3.

You must used same type of color marked ceramic filters in order to meet same specifications.

Therefore, the ceramic filter must changed two pieces together since it's supply two pieces in one package as a spare parts.

		Mark	Center fequency
		red	10.70MHz
		blue	10.67MHz
		orange	10.73MHz
		black	10.64MHz
		white	10.76MHz

### SAFETY-RELATED COMPONENT WARNING!!

COMPONENTS IDENTIFIED BY MARK  $\triangle$  OR DOTTED LINE WITH MARK  $\triangle$  ON THE SCHEMATIC DIAGRAMS AND IN THE PARTS LIST ARE CRITICAL TO SAFE OPERATION. REPLACE THESE COMPONENTS WITH SONY PARTS WHOSE PART NUMBERS APPEAR AS SHOWN IN THIS MANUAL OR IN SUPPLEMENTS PUBLISHED BY SONY.

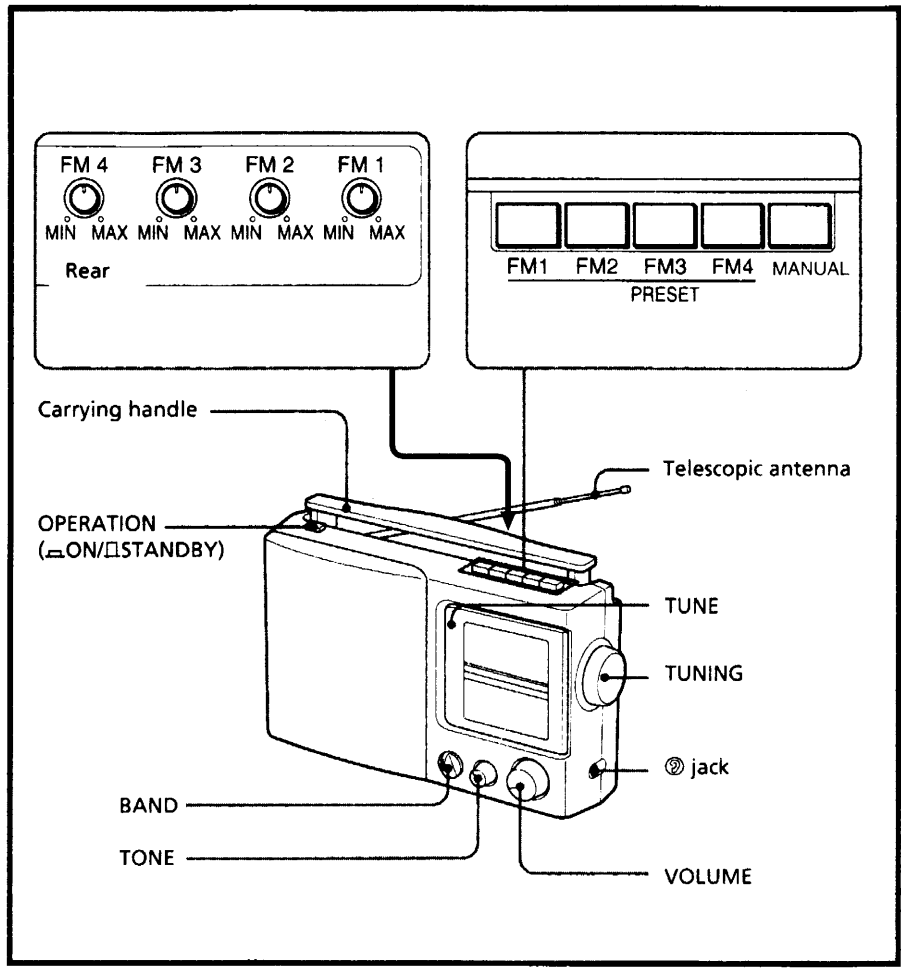
### Notes on chip component replacement

- Never reuse a disconnected chip component.
- Notice that the minus side of a tantalum capacitor may be damaged by heat.

# SECTION 1 GENERAL

This section is extracted from instruction manual.

## LOCATION AND FUNCTION OF CONTROLS

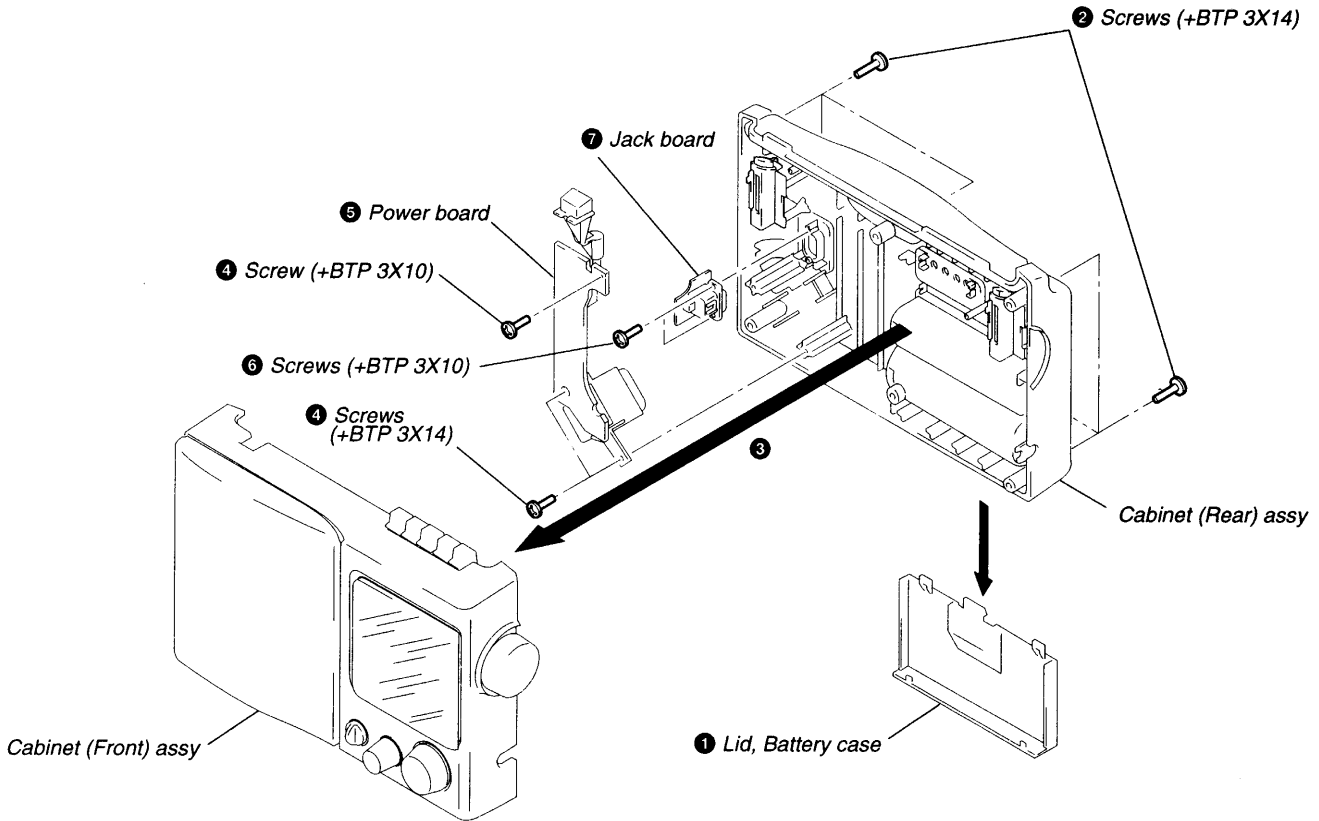


## SECTION 2 DISASSEMBLY

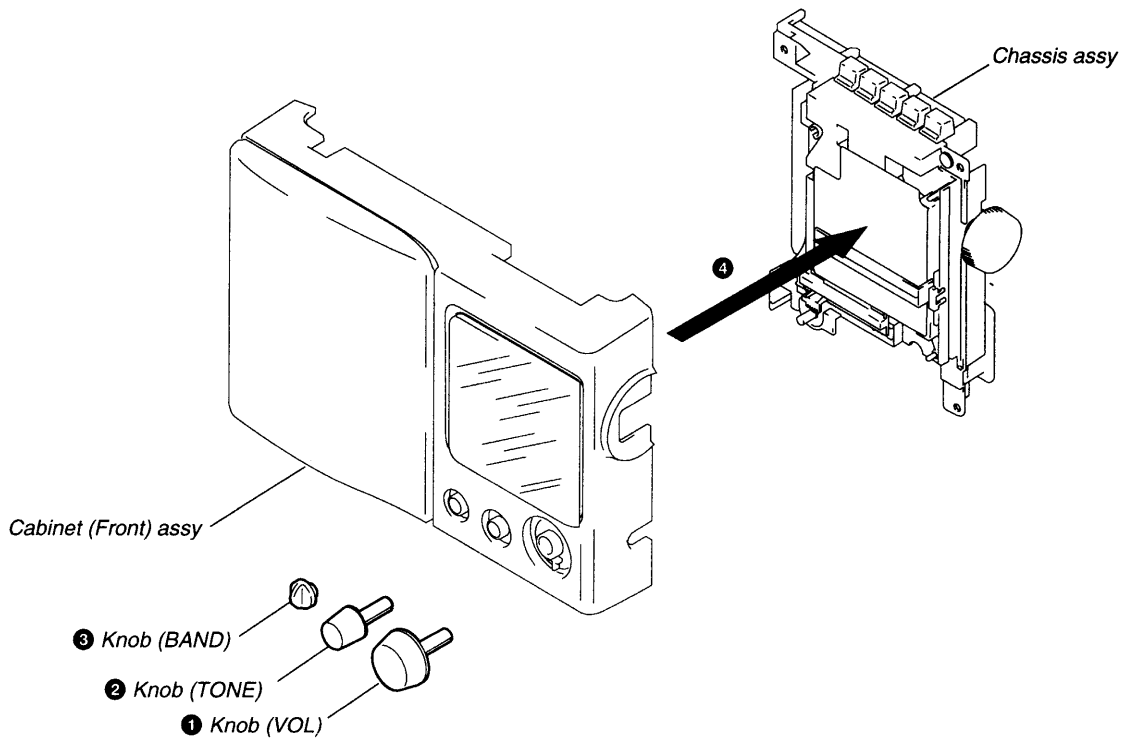
SEE ADDITIONAL  
INFORMATION

**Note :** Follow the disassembly procedure in the numerical order given.

### 2-1. CABINET (REAR) ASSY, POWER BOARD, JACK BOARD REMOVAL

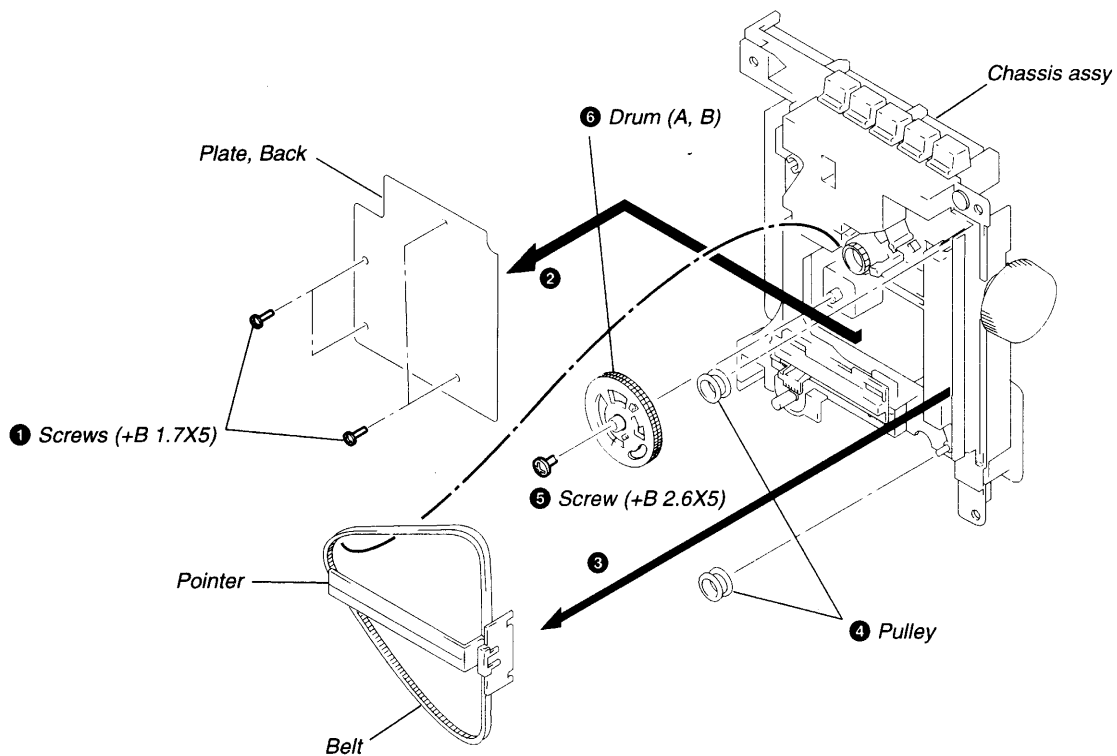


### 2-2. CABINET (FRONT) ASSY REMOVAL

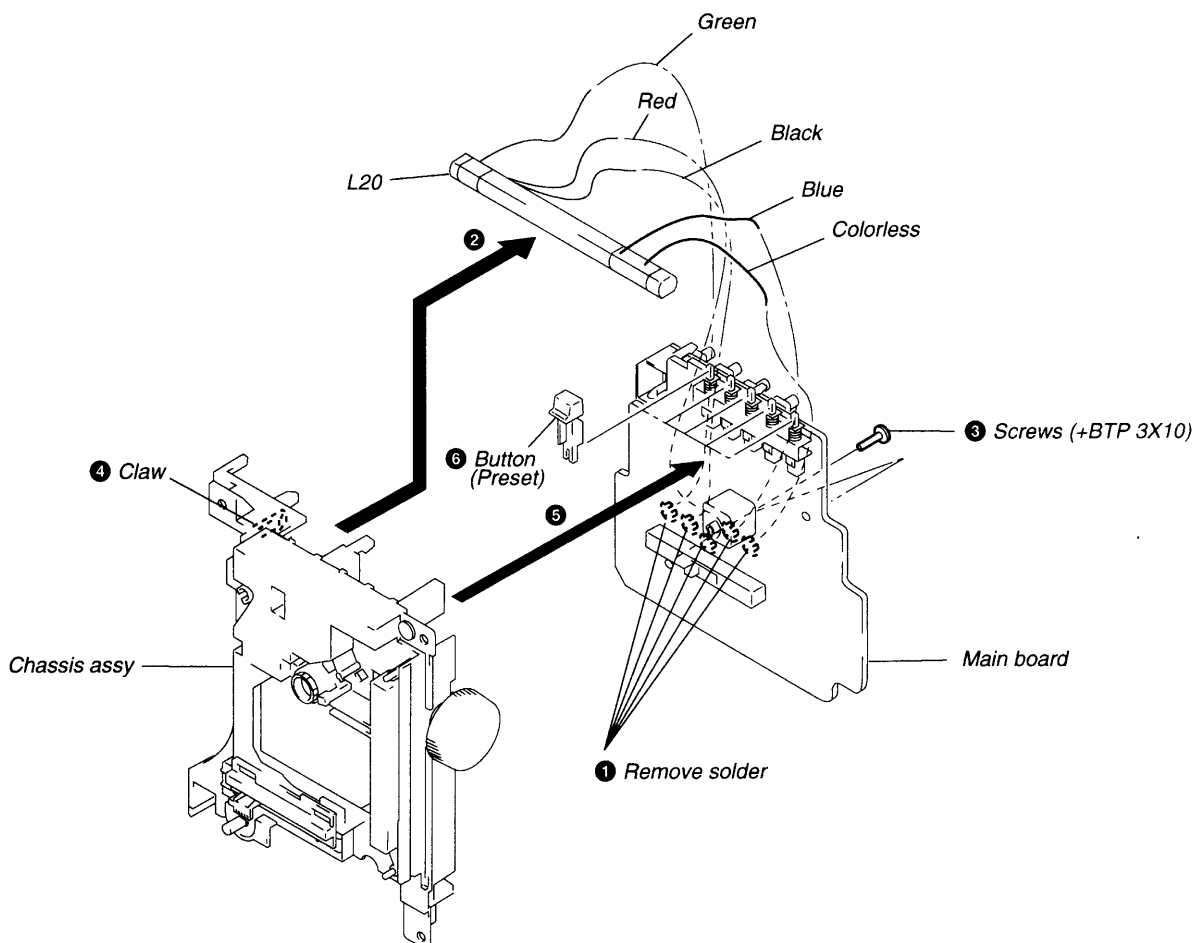


### 2-3. POINTER AND DRUM (A, B) REMOVAL

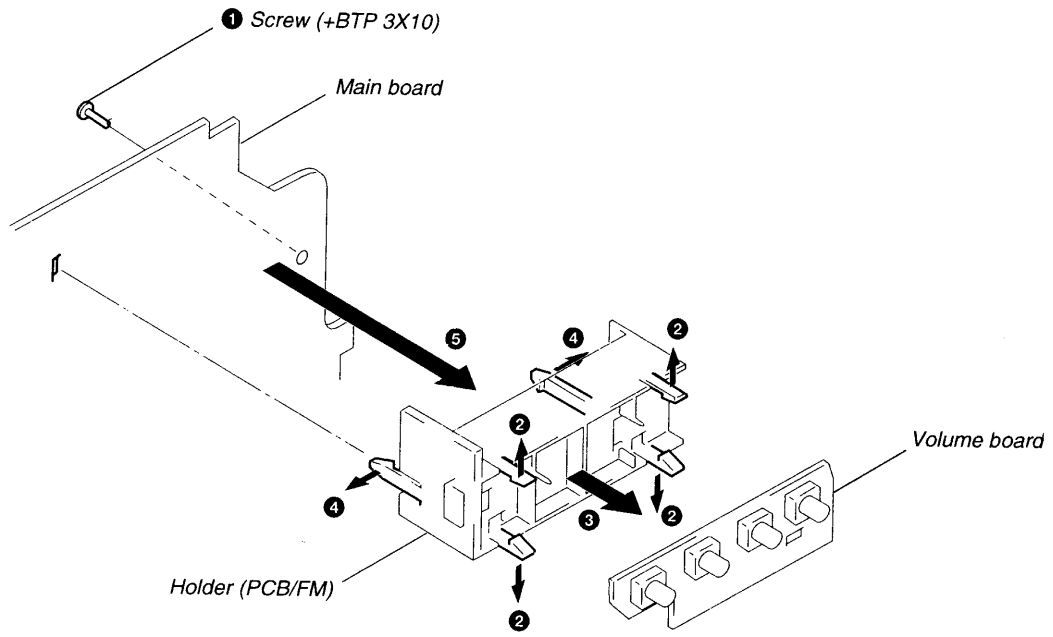
**SEE ADDITIONAL INFORMATION**



### 2-4. MAIN BOARD REMOVAL



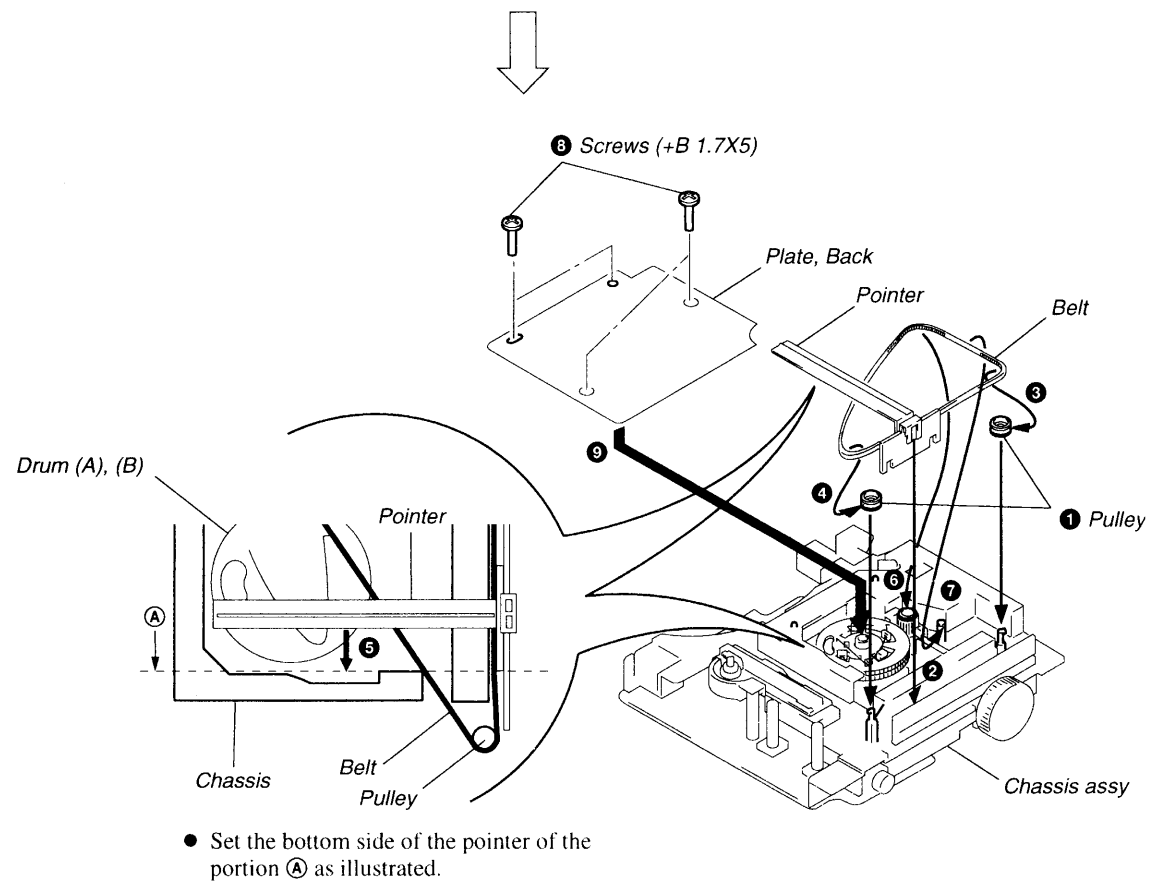
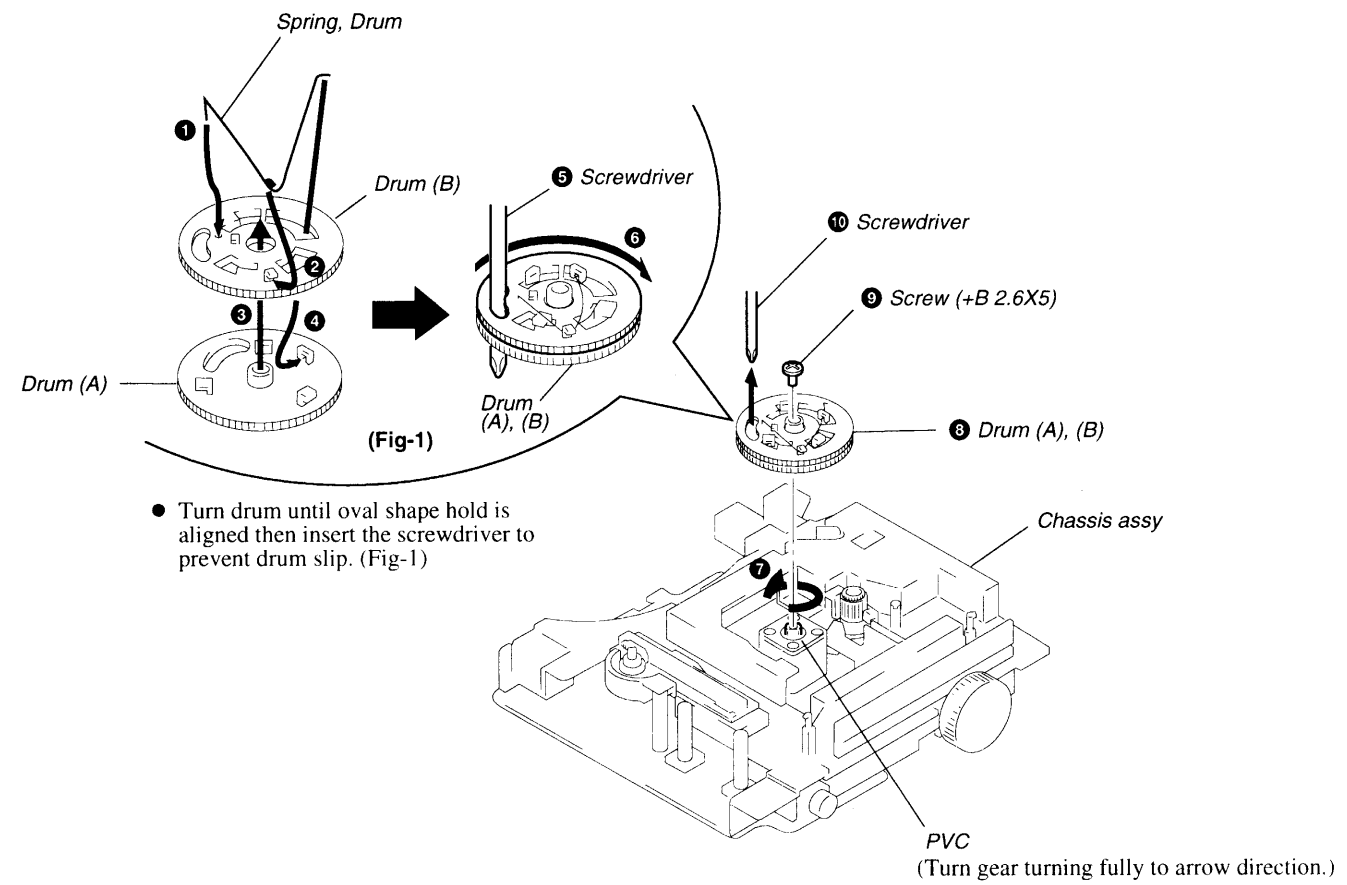
## 2-5. VOLUME BOARD REMOVAL



SEE ADDITIONAL INFORMATION

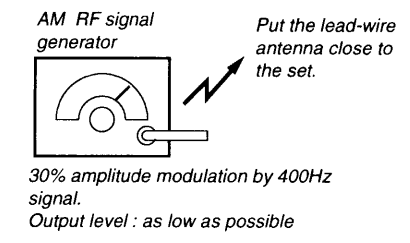
### SECTION 3 DIAL POINTER INSTALLATION

Note : Follow the installation procedure in the numerical order given.

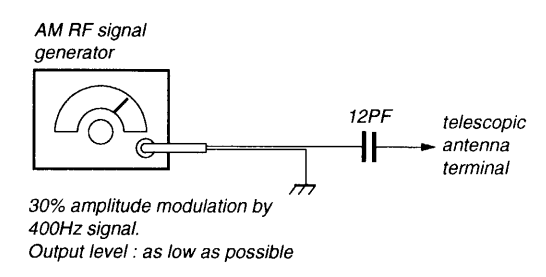


### SECTION 4 ELECTRICAL ADJUSTMENTS

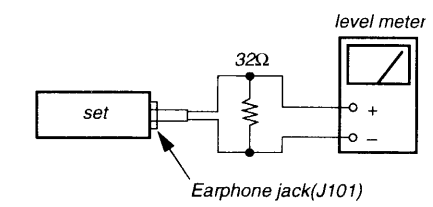
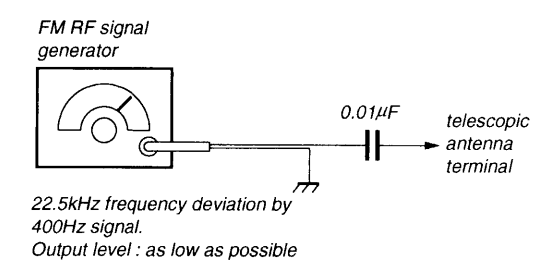
**MW/LW Section**  
**Procedure :**  
 BAND switch : MW/LW  
 VOLUME control : MIN  
 TONE control : MAX



**SW Section**  
**Procedure :**  
 BAND switch : SW  
 VOLUME control : MIN  
 TONE control : MAX



**FM/FM PRESET Section**  
**Procedure :**  
 PRESET switch (SW2) : MANUAL (FM Section)  
 PRESET switch (SW2) : FM4 (FM PRESET Section)  
 PRESET F4 (RV6) : MIN/MAX (FM PRESET Section)  
 BAND switch : FM  
 VOLUME control : MIN  
 TONE control : MAX



• Repeat the procedures in each adjustment several times, and the frequency coverage and tracking adjustments should be finally done by the trimmer capacitors.

< > : Italian model

AM IF ALIGNMENT		
Adjust for a maximum reading on level meter.		
T2	455kHz	

MW FREQUENCY COVERAGE ADJUSTMENT		
Adjust for a maximum reading on level meter.		
L10	520kHz	<516.5kHz>
CT7	1,650kHz	<1,631.5kHz>

MW TRACKING ADJUSTMENT		
Adjust for a maximum reading on level meter.		
L20 - 1	600kHz	
CT3	1,400kHz	

LW FREQUENCY COVERAGE ADJUSTMENT		
Adjust for a maximum reading on level meter.		
CT9	145kHz	

LW TRACKING ADJUSTMENT		
Adjust for a maximum reading on level meter.		
L20 - 2	160kHz	
CT4	240kHz	

FM IF ALIGNMENT		
Adjust for a maximum reading on level meter.		
T1	10.7MHz	

FM FREQUENCY COVERAGE ADJUSTMENT		
Adjust for a maximum reading on level meter.		
L9	87.35MHz	
CT6	108.5MHz	<108.25MHz>

FM TRACKING ADJUSTMENT		
Adjust for a maximum reading on level meter.		
L8	87.35MHz	<87.35MHz>
CT5	108.5MHz	<108.25MHz>

• PRESET F4 (RV6) : MIN (f Min)  
MAX (f Max)

FM PRESET IF ALIGNMENT		
Adjust for a maximum reading on level meter.		
T1	10.7MHz	

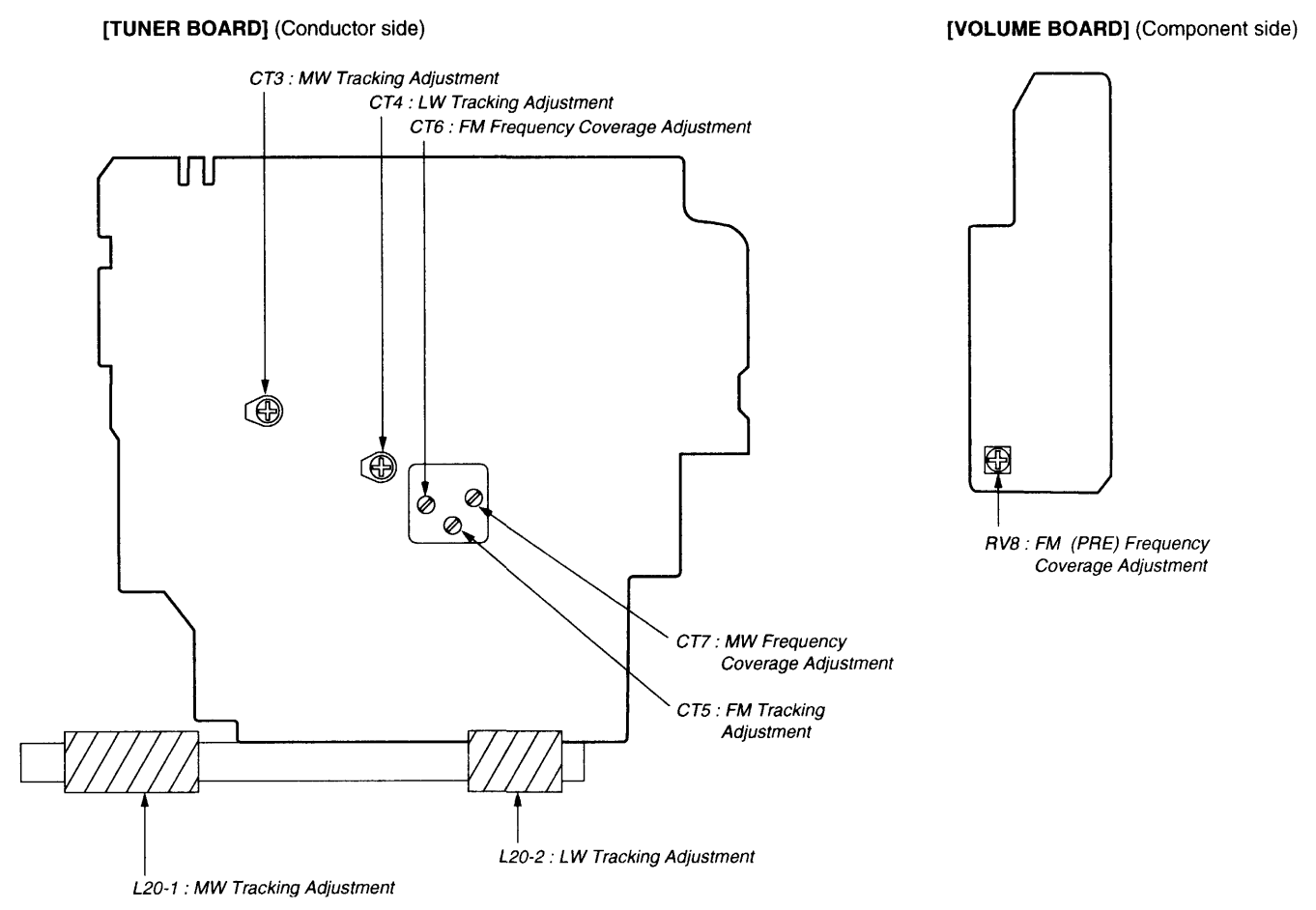
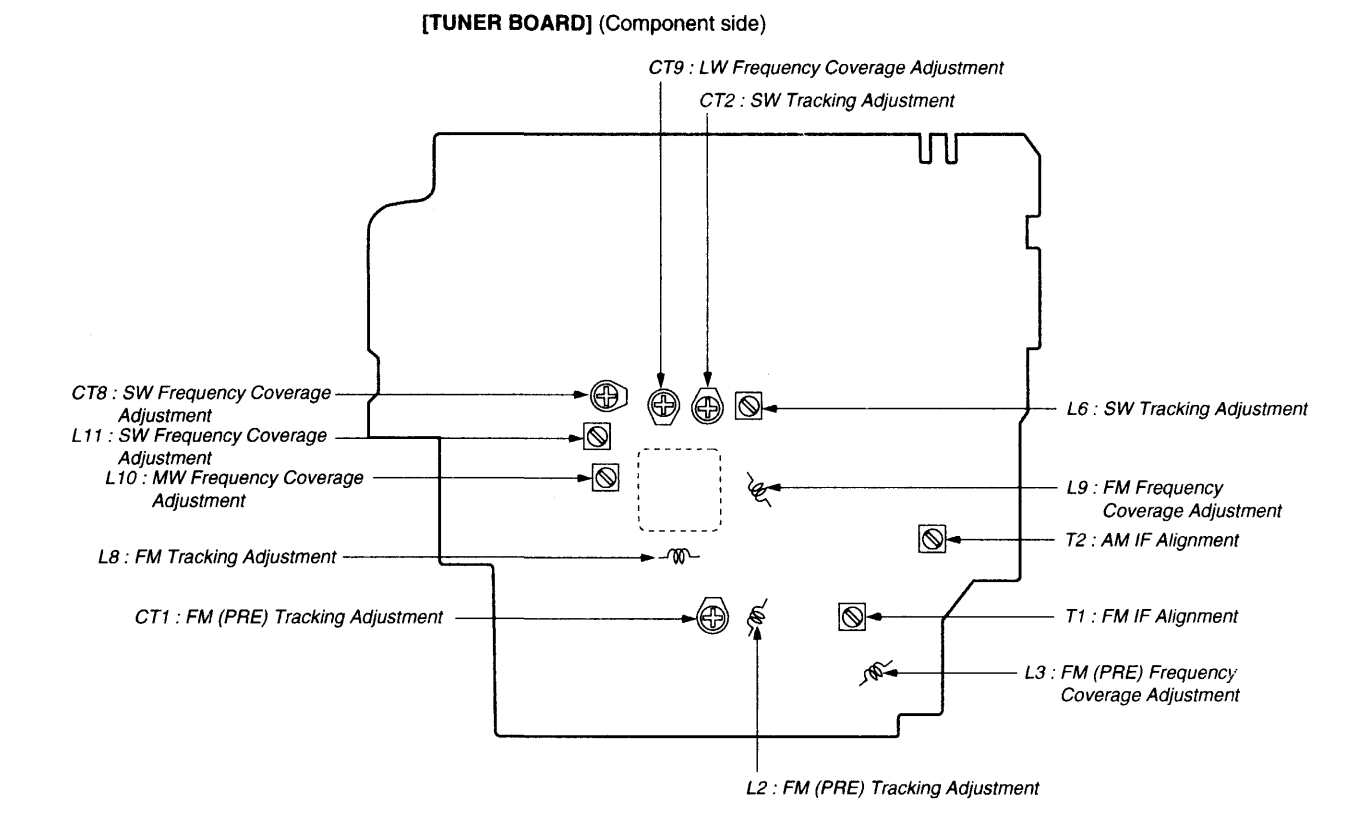
FM PRESET FREQUENCY COVERAGE ADJUSTMENT		
Adjust for a maximum reading on level meter.		
RV8	87.35MHz	
L3	108.5MHz	<108.25MHz>

FM PRESET TRACKING ADJUSTMENT		
Adjust for a maximum reading on level meter.		
L2	87.35MHz	
CT1	108.5MHz	<108.25MHz>

SW FREQUENCY COVERAGE ADJUSTMENT		
Adjust for a maximum reading on level meter.		
L11	5.85MHz	
CT8	18.25MHz	

SW TRACKING ADJUSTMENT		
Adjust for a maximum reading on level meter.		
L6	5.85MHz	
CT2	18.25MHz	

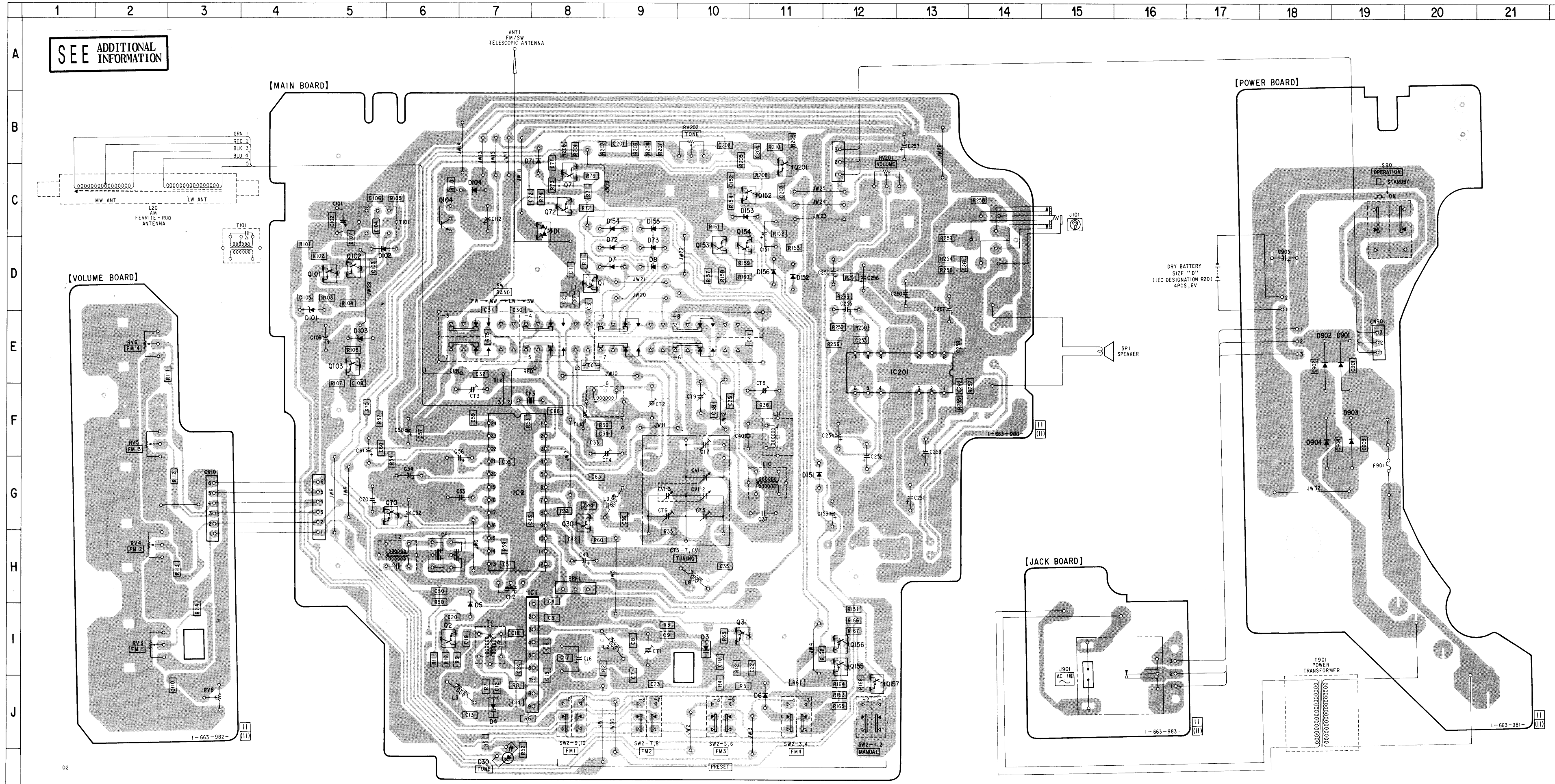
Adjustment Location :



5-1. PRINTED WIRING BOARDS

● SEMICONDUCTOR LOCATION

Ref. No.	Location
D1	C-8
D3	I-10
D4	J-7
D5	H-7
D6	J-11
D7	D-9
D8	D-9
D30	K-7
D71	B-8
D72	D-9
D73	D-9
D101	D-4
D102	D-5
D103	E-5
D104	C-7
D151	G-11
D152	D-11
D153	C-10
D154	C-9
D155	C-9
D156	D-11
D901	E-18
D902	E-18
D903	F-19
D904	F-18
IC1	I-7
IC2	G-7
IC201	E-12
Q1	D-8
Q2	I-6
Q30	G-8
Q31	I-10
Q70	G-6
Q71	C-8
Q72	C-8
Q101	D-5
Q102	D-5
Q103	E-5
Q104	C-6
Q152	C-10
Q153	D-10
Q154	D-10
Q155	I-12
Q156	I-12
Q157	I-12
Q201	C-11



02

Note:  
 • ○ — : parts extracted from the component side.  
 • [Pattern] : Pattern on the side which is seen.





**SECTION 6  
EXPLODED VIEWS**

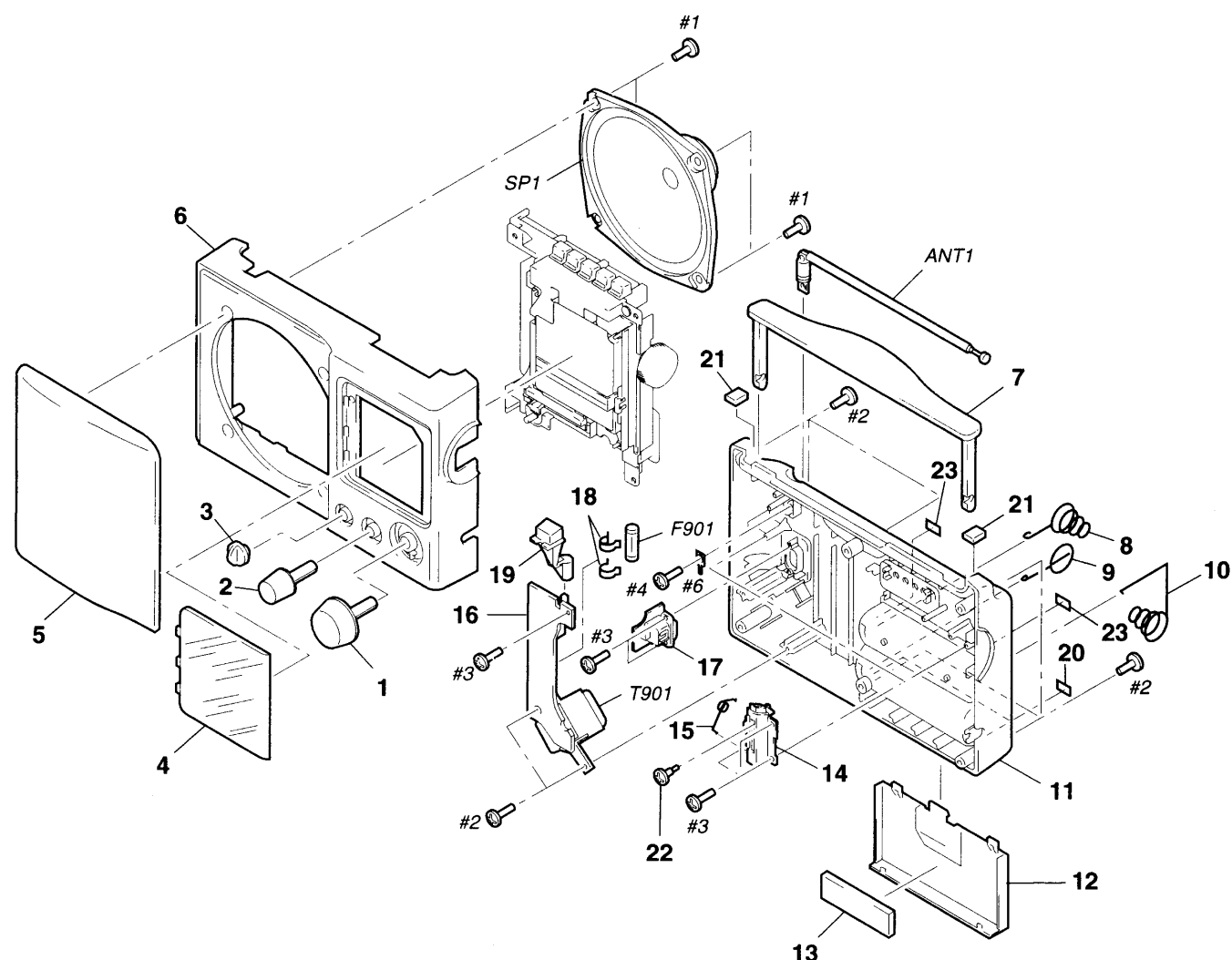
NOTE :

- -XX, -X mean standardized parts, so they may have some difference from the original one.
- Items marked "\*" are not stocked since they are seldom required for routine service. Some delay should be anticipated when ordering these items.
- The mechanical parts with no reference number in the exploded views are not supplied.
- Hardware (# mark) list and accessories and packing materials are given in the last of this parts list.
- Abbreviation  
IT : Italian

SEE ADDITIONAL INFORMATION

The components identified by mark  $\Delta$  or dotted line with mark  $\Delta$  are critical for safety.  
Replace only with part number specified.

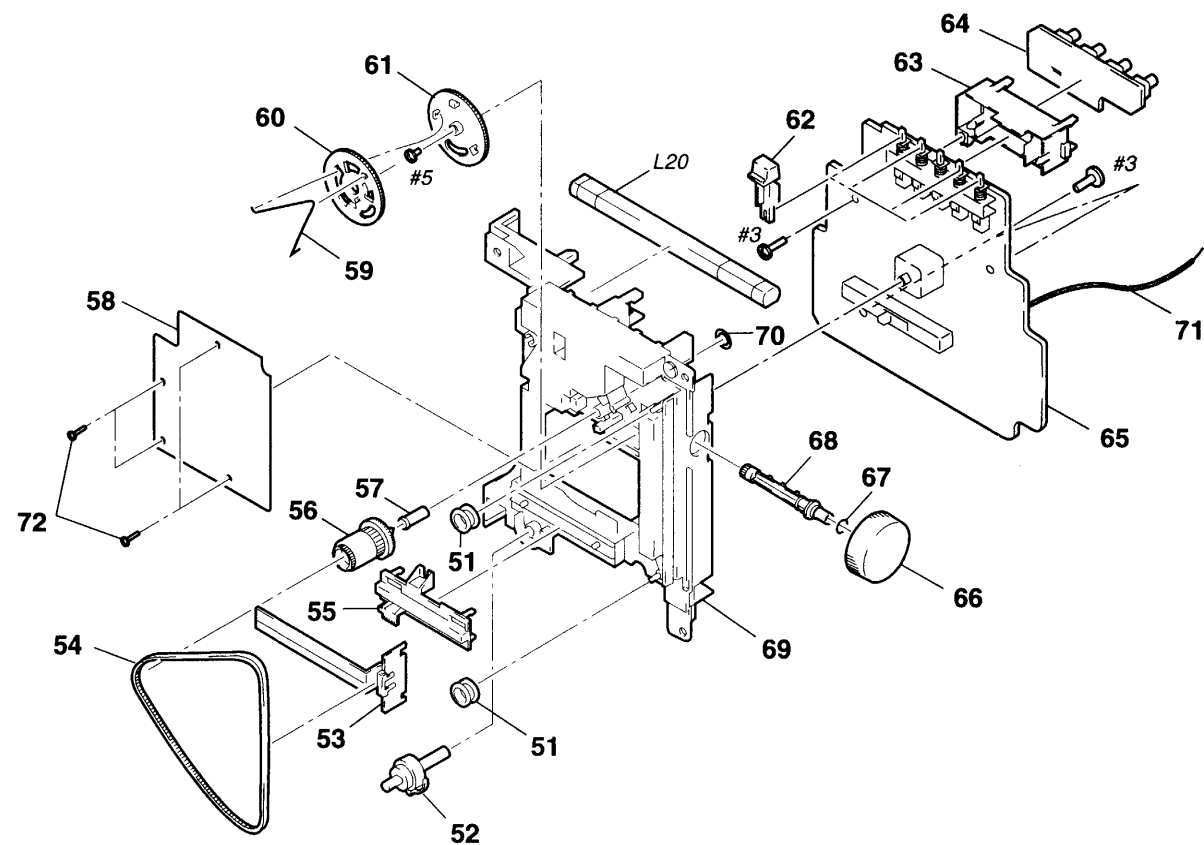
**6-1. CABINET SECTION**



Ref. No.	Part No.	Description	Remark	Ref. No.	Part No.	Description	Remark
1	3-939-479-01	KNOB (VOL)		15	3-008-499-01	SPRING (HANDLE)	
2	3-939-480-01	KNOB (TONE)		* 16	1-663-981-11	POWER BOARD	
3	3-939-481-01	KNOB (BAND)		* 17	1-663-983-11	JACK BOARD	
4	3-939-473-01	WINDOW		18	1-533-233-21	HOLDER, FUSE	
5	3-939-472-01	GRILLE (SP)		19	3-939-484-01	BUTTON (POWER)	
6	3-939-469-01	CABINET (FRONT)		20	3-012-095-01	CUSHION (B)	
7	3-939-476-01	HANDLE (A)		* 21	3-011-860-01	CUSHION (A)	
8	3-939-492-01	SPRING (-), BATTERY COIL		22	3-895-517-01	SCREW (2), TAPPING, STEP	
9	3-939-491-01	SPRING (+), BATTERY COIL		23	3-015-572-01	CUSHION (C)	
10	3-939-493-01	SPRING (+/-), BATTERY COIL		ANT1	1-501-484-11	ANTENNA, TELESCOPIC	
11	3-939-470-01	CABINET (REAR)		$\Delta$ F901	1-532-502-31	FUSE, TIME LAG (T1.25A/250V)	
12	3-939-475-01	LID, BATTERY CASE		SP1	1-505-578-11	SPEAKER (16cm)	
13	3-939-499-01	CUSHION (BATT)		$\Delta$ T901	1-431-222-11	TRANSFORMER, POWER	
14	3-939-477-01	PLATE, HANDLE RETAINER					

**6-2. CHASSIS SECTION**

SEE ADDITIONAL INFORMATION



Ref. No.	Part No.	Description	Remark	Ref. No.	Part No.	Description	Remark
51	3-304-108-00	PULLEY		* 63	3-008-501-01	HOLDER (PCB/FM)	
* 52	3-939-482-01	ADAPTOR (A)		* 64	1-663-982-11	VOLUME BOARD	
53	3-939-485-01	POINTER		* 65	A-3662-692-A	MAIN BOARD, COMPLETE (IT)	
54	3-363-369-01	BELT		* 65	A-3662-699-A	MAIN BOARD, COMPLETE (AEP,UK)	
* 55	3-939-483-01	ADAPTOR (B)		66	3-939-478-01	KNOB (TUNE)	
56	3-363-373-01	GEAR, MIDWAY		67	3-015-571-01	RING (T)	
57	3-363-367-01	BEARING		* 68	3-939-486-01	SHAFT (T)	
58	3-939-487-01	PLATE, BACK		* 69	3-939-471-01	CHASSIS	
59	3-363-366-01	SPRING, DRUM		70	3-364-731-01	WASHER, POLY-SLIDER	
* 60	3-363-397-01	DRUM (B)		71	1-590-384-41	CORD, CONNECTION	
61	3-363-387-01	DRUM (A)		72	3-318-203-71	SCREW (B1.7X5), TAPPING	
62	3-939-474-01	BUTTON (PRESET)		L20	1-501-911-11	ANTENNA, FERRITE-ROD (LW/MW)	

**JACK MAIN**

NOTE :

- Due to standardization, replacements in the parts list may be different from the parts specified in the diagrams or the components used on the set.
- -XX, -X mean standardized parts, so they may have some difference from the original one.
- RESISTORS  
All resistors are in ohms  
METAL : Metal-film resistor  
METAL OXIDE : Metal oxide-film resistor  
F : nonflammable
- Items marked "\*" are not stocked since they are seldom required for routine service. Some delay should be anticipated when ordering these items.

Ref. No.	Part No.	Description	Remark
*	1-663-983-11	JACK BOARD *****	
$\Delta$ J901	1-526-838-11	INLET, AC 2P (AC IN ~)	
*	A-3662-692-A	MAIN BOARD, COMPLETE (IT)	
*	A-3662-699-A	MAIN BOARD, COMPLETE (AEP,UK) *****	
	1-590-384-41	CORD, CONNECTION	
	3-939-474-01	BUTTON (PRESET)	
		< FILTER >	
BPF1	1-236-711-21	FILTER, BAND PASS	
		< CAPACITOR >	
C1	1-163-031-11	CERAMIC CHIP 0.01uF	50V
C2	1-163-235-11	CERAMIC CHIP 22PF	5% 50V
C3	1-163-031-11	CERAMIC CHIP 0.01uF	50V
C4	1-163-031-11	CERAMIC CHIP 0.01uF	50V
C5	1-163-031-11	CERAMIC CHIP 0.01uF	50V
C6	1-163-222-11	CERAMIC CHIP 5PF	0.25PF 50V
C7	1-164-232-11	CERAMIC CHIP 0.01uF	50V
C8	1-163-089-00	CERAMIC CHIP 6PF	50V
C9	1-163-141-00	CERAMIC CHIP 0.001uF	5% 50V
C10	1-163-141-00	CERAMIC CHIP 0.001uF	5% 50V
C11	1-163-231-11	CERAMIC CHIP 15PF	5% 50V
C12	1-163-141-00	CERAMIC CHIP 0.001uF	5% 50V
C13	1-163-097-00	CERAMIC CHIP 15PF	5% 50V
C14	1-163-038-11	CERAMIC CHIP 0.1uF	25V
C15	1-126-967-11	ELECT 47uF	20% 16V
C16	1-163-009-11	CERAMIC CHIP 0.001uF	10% 50V
C17	1-163-031-11	CERAMIC CHIP 0.01uF	50V
C18	1-164-232-11	CERAMIC CHIP 0.01uF	50V
C19	1-164-232-11	CERAMIC CHIP 0.01uF	50V
C20	1-164-232-11	CERAMIC CHIP 0.01uF	50V
C21	1-164-232-11	CERAMIC CHIP 0.01uF	50V
C22	1-163-038-11	CERAMIC CHIP 0.1uF	25V
C23	1-163-038-11	CERAMIC CHIP 0.1uF	25V
C24	1-164-232-11	CERAMIC CHIP 0.01uF	50V
C25	1-164-232-11	CERAMIC CHIP 0.01uF	50V
C26	1-164-232-11	CERAMIC CHIP 0.01uF	50V
C27	1-163-227-11	CERAMIC CHIP 10PF	0.5PF 50V
C28	1-163-129-00	CERAMIC CHIP 330PF	5% 50V
C29	1-163-123-00	CERAMIC CHIP 180PF	5% 50V
C30	1-163-102-00	CERAMIC CHIP 24PF	5% 50V
C31	1-163-105-00	CERAMIC CHIP 33PF	5% 50V
C32	1-102-949-00	CERAMIC 12PF	5% 50V

**SECTION 7  
ELECTRICAL PARTS LIST**

- SEMICONDUCTORS  
In each case, u :  $\mu$ , for example :  
uA..... :  $\mu$  A....., uPA..... :  $\mu$  PA.....  
uPB..... :  $\mu$  PB....., uPC..... :  $\mu$  PC.....  
uPD..... :  $\mu$  PD.....
- CAPACITORS  
uF :  $\mu$  F
- COILS  
uH :  $\mu$  H
- Abbreviation  
IT : Italian

SEE ADDITIONAL INFORMATION

The components identified by mark  $\Delta$  or dotted line with mark  $\Delta$  are critical for safety.  
Replace only with part number specified.

When indicating parts by reference number, please include the board.

Ref. No.	Part No.	Description	Remark
C38	1-163-128-00	CERAMIC CHIP 300PF	5% 50V
C39	1-163-263-11	CERAMIC CHIP 330PF	5% 50V
C40	1-102-945-00	CERAMIC 8.0PF	$\pm 0.5PF$ 50V
C41	1-164-182-11	CERAMIC CHIP 0.0033uF	10% 50V
C42	1-163-031-11	CERAMIC CHIP 0.01uF	50V
C43	1-128-551-11	ELECT 22uF	20% 25V
C44	1-163-009-11	CERAMIC CHIP 0.001uF	10% 50V
C45	1-164-004-11	CERAMIC CHIP 0.1uF	10% 25V
C50	1-163-251-11	CERAMIC CHIP 100PF	5% 50V
C51	1-163-031-11	CERAMIC CHIP 0.01uF	50V
C52	1-126-964-11	ELECT 10uF	20% 50V
C53	1-126-963-11	ELECT 4.7uF	20% 50V
C54	1-126-960-11	ELECT 1uF	20% 50V
C55	1-163-989-11	CERAMIC CHIP 0.033uF	10% 25V
C56	1-126-967-11	ELECT 47uF	20% 16V
C57	1-163-038-11	CERAMIC CHIP 0.1uF	25V
C58	1-126-935-11	ELECT 470uF	20% 16V
C59	1-164-004-11	CERAMIC CHIP 0.1uF	10% 25V
C60	1-163-809-11	CERAMIC CHIP 0.047uF	10% 25V
C61	1-126-963-11	ELECT 4.7uF	20% 50V
C65	1-164-232-11	CERAMIC CHIP 0.01uF	50V
C66	1-164-232-11	CERAMIC CHIP 0.01uF	50V
C70	1-126-960-11	ELECT 1uF	20% 50V
C71	1-164-004-11	CERAMIC CHIP 0.1uF	10% 25V
C72	1-163-809-11	CERAMIC CHIP 0.047uF	10% 25V
C101	1-126-967-11	ELECT 47uF	20% 16V
C102	1-164-232-11	CERAMIC CHIP 0.01uF	50V
C103	1-163-251-11	CERAMIC CHIP 100PF	5% 50V
C104	1-163-243-11	CERAMIC CHIP 47PF	5% 50V
C105	1-163-038-11	CERAMIC CHIP 0.1uF	25V
C106	1-163-251-11	CERAMIC CHIP 100PF	5% 50V
C107	1-164-346-11	CERAMIC CHIP 1uF	16V
C108	1-126-964-11	ELECT 10uF	20% 50V
C109	1-164-232-11	CERAMIC CHIP 0.01uF	50V
C112	1-126-925-11	ELECT 470uF	20% 10V
C151	1-126-961-11	ELECT 2.2uF	20% 50V
C152	1-163-009-11	CERAMIC CHIP 0.001uF	10% 50V
C153	1-126-966-11	ELECT 33uF	20% 16V
C201	1-163-037-11	CERAMIC CHIP 0.022uF	10% 25V
C202	1-163-019-00	CERAMIC CHIP 0.0068uF	10% 50V
C203	1-164-346-11	CERAMIC CHIP 1uF	16V
C204	1-164-346-11	CERAMIC CHIP 1uF	16V
C250	1-126-960-11	ELECT 1uF	20% 50V
C251	1-126-933-11	ELECT 100uF	20% 10V
C252	1-126-933-11	ELECT 100uF	20% 10V
C253	1-163-009-11	CERAMIC CHIP 0.001uF	10% 50V

**SEE ADDITIONAL INFORMATION**

**MAIN**

Ref. No.	Part No.	Description	Remark	Ref. No.	Part No.	Description	Remark
C254	1-126-933-11	ELECT	100uF 20% 16V			< JACK >	
C255	1-126-933-11	ELECT	100uF 20% 10V				
C256	1-126-933-11	ELECT	100uF 20% 10V				
C257	1-126-768-11	ELECT	2200uF 20% 16V	J101	1-566-891-21	JACK (⊙)	
						<COIL>	
C258	1-164-346-11	CERAMIC CHIP	1uF 16V	L1	1-412-927-31	INDUCTOR 0.1uH	
C259	1-126-927-11	ELECT	2200uF 20% 10V	L2	1-428-769-11	COIL, AIR-CORE	
C260	1-126-927-11	ELECT	2200uF 20% 10V	L3	1-428-768-11	COIL, AIR-CORE (AEP,UK)	
C261	1-164-489-11	CERAMIC CHIP	0.22uF 10% 16V	L3	1-460-140-11	COIL (WITH CORE) (IT)	
C262	1-164-489-11	CERAMIC CHIP	0.22uF 10% 16V	L5	1-412-943-11	INDUCTOR 2.2uH	
C267	1-126-933-11	ELECT	100uF 20% 16V	L6	1-402-538-11	SWCOEL (ANT)	
		<FILTER>		L8	1-402-658-11	COIL, AIR-CORE (IT)	
CF1	1-567-670-11	FILTER, CERAMIC		L8	1-428-768-11	COIL, AIR-CORE (AEP,UK)	
CF2	1-567-097-61	FILTER, CERAMIC		L9	1-402-658-11	COIL, AIR-CORE (AEP,UK)	
CF3	1-567-097-61	FILTER, CERAMIC		L9	1-460-135-11	COIL (WITH CORE) (RF) (IT)	
		<TRIMMER>		L10	1-406-092-11	COIL, OSC (MW)	
CT1	1-141-304-21	CAP, TRIMMER 10PF		L11	1-406-413-11	COIL, SW (OSC)	
CT2	1-141-304-21	CAP, TRIMMER 10PF				<TRANSISTOR>	
CT3	1-141-354-21	CAP, TRIMMER 10PF		Q1	8-729-200-86	TRANSISTOR 2SC2714-0	
CT4	1-141-355-21	CAP, TRIMMER 30PF		Q2	8-729-200-86	TRANSISTOR 2SC2714-0	
CT8	1-141-304-21	CAP, TRIMMER 10PF		Q30	8-729-141-48	TRANSISTOR 2SB624-BV345	
CT9	1-141-260-00	CAP, TRIMMER 50PF		Q31	8-729-120-28	TRANSISTOR 2SC1623-L5L6	
		< VARIABLE CAPACITOR >		Q70	8-729-207-56	TRANSISTOR RN1402	
CT5	1-151-679-11	CAP, VAR (TUNING)		Q71	8-729-207-56	TRANSISTOR RN1402	
CT6	1-151-679-11	CAP, VAR (TUNING)		Q72	8-729-207-65	TRANSISTOR RN1410	
CT7	1-151-679-11	CAP, VAR (TUNING)		Q101	8-729-120-28	TRANSISTOR 2SC1623-L5L6	
CV1	1-151-679-11	CAP, VAR (TUNING)		Q102	8-729-120-28	TRANSISTOR 2SC1623-L5L6	
		< DIODE >		Q103	8-729-120-28	TRANSISTOR 2SC1623-L5L6	
D1	8-719-800-76	DIODE 1SS226		Q104	8-729-011-92	TRANSISTOR 2SC2001TP-K1K2	
D3	8-713-100-11	DIODE 1T362		Q152	8-729-120-28	TRANSISTOR 2SC1623-L5L6	
D4	8-713-100-11	DIODE 1T362		Q153	8-729-120-28	TRANSISTOR 2SC1623-L5L6	
D5	8-719-991-33	DIODE 1SS133T-77		Q154	8-729-120-28	TRANSISTOR 2SC1623-L5L6	
D6	8-719-991-33	DIODE 1SS133T-77		Q155	8-729-216-22	TRANSISTOR 2SA1162-G	
D7	8-719-991-33	DIODE 1SS133T-77		Q156	8-729-216-22	TRANSISTOR 2SA1162-G	
D8	8-719-991-33	DIODE 1SS133T-77		Q157	8-729-216-22	TRANSISTOR 2SA1162-G	
D30	8-719-042-69	LED LN21RPL (TUNE)		Q201	8-729-120-28	TRANSISTOR 2SC1623-L5L6	
D71	8-719-991-33	DIODE 1SS133T-77				<RESISTOR>	
D72	8-719-991-33	DIODE 1SS133T-77		R1	1-216-065-00	METAL CHIP 4.7K 5% 1/10W	
D73	8-719-991-33	DIODE 1SS133T-77		R2	1-216-033-00	METAL CHIP 220 5% 1/10W	
D101	8-719-110-17	DIODE RD10ESB2		R3	1-216-097-11	METAL GLAZE 100K 5% 1/10W	
D102	8-719-991-33	DIODE 1SS133T-77		R4	1-216-097-11	METAL GLAZE 100K 5% 1/10W	
D103	8-719-110-17	DIODE RD10ESB2		R5	1-216-097-11	METAL GLAZE 100K 5% 1/10W	
D104	8-719-109-85	DIODE RD5.1ES-B2		R6	1-216-097-11	METAL GLAZE 100K 5% 1/10W	
D151	8-719-991-33	DIODE 1SS133T-77		R7	1-216-061-00	METAL CHIP 3.3K 5% 1/10W	
D152	8-719-991-33	DIODE 1SS133T-77		R8	1-216-017-11	METAL GLAZE 47 5% 1/10W	
D153	8-719-991-33	DIODE 1SS133T-77		R9	1-216-105-11	METAL GLAZE 220K 5% 1/10W	
D154	8-719-991-33	DIODE 1SS133T-77		R10	1-216-041-00	METAL CHIP 470 5% 1/10W	
D155	8-719-991-33	DIODE 1SS133T-77		R11	1-216-089-11	METAL CHIP 47K 5% 1/10W	
D156	8-719-991-33	DIODE 1SS133T-77		R12	1-216-097-11	METAL GLAZE 100K 5% 1/10W	
		< IC >		R30	1-216-097-11	METAL GLAZE 100K 5% 1/10W	
IC1	8-759-204-01	IC TA7358P		R32	1-216-049-11	METAL GLAZE 1K 5% 1/10W	
IC2	8-752-056-74	IC CXA1111P		R35	1-216-065-00	METAL CHIP 4.7K 5% 1/10W	
IC201	8-759-802-46	IC LA4550		R36	1-216-073-00	METAL CHIP 10K 5% 1/10W	
				R50	1-216-057-00	METAL CHIP 2.2K 5% 1/10W	
				R51	1-216-049-11	METAL GLAZE 1K 5% 1/10W	
				R52	1-216-061-00	METAL CHIP 3.3K 5% 1/10W	
				R53	1-216-025-11	METAL GLAZE 100 5% 1/10W	

**MAIN POWER VOLUME**

Ref. No.	Part No.	Description	Remark
R54	1-216-069-00	METAL CHIP 6.8K	5% 1/10W
R57	1-216-049-11	METAL GLAZE 1K	5% 1/10W
R59	1-216-037-00	METAL CHIP 330	5% 1/10W
R60	1-216-049-11	METAL GLAZE 1K	5% 1/10W
R61	1-216-073-00	METAL CHIP 10K	5% 1/10W
R63	1-216-089-11	METAL GLAZE 47K	5% 1/10W
R70	1-216-073-00	METAL CHIP 10K	5% 1/10W
R71	1-216-073-00	METAL CHIP 10K	5% 1/10W
R72	1-216-073-00	METAL CHIP 10K	5% 1/10W
R73	1-216-097-11	METAL GLAZE 100K	5% 1/10W
R74	1-216-097-11	METAL GLAZE 100K	5% 1/10W
R75	1-216-097-11	METAL GLAZE 100K	5% 1/10W
R76	1-216-089-11	METAL GLAZE 47K	5% 1/10W
R101	1-216-025-11	METAL GLAZE 100	5% 1/10W
R102	1-216-097-11	METAL GLAZE 100K	5% 1/10W
R103	1-216-097-11	METAL GLAZE 100K	5% 1/10W
R104	1-216-089-11	METAL GLAZE 47K	5% 1/10W
R105	1-216-049-11	METAL GLAZE 1K	5% 1/10W
R106	1-216-041-00	METAL CHIP 470	5% 1/10W
R107	1-216-049-11	METAL GLAZE 1K	5% 1/10W
R110	1-216-041-00	METAL CHIP 470	5% 1/10W
R151	1-216-025-11	METAL GLAZE 100	5% 1/10W
R152	1-216-089-11	METAL GLAZE 47K	5% 1/10W
R153	1-216-073-00	METAL CHIP 10K	5% 1/10W
R154	1-216-065-00	METAL CHIP 4.7K	5% 1/10W
R157	1-216-089-11	METAL GLAZE 47K	5% 1/10W
R158	1-216-089-11	METAL GLAZE 47K	5% 1/10W
R159	1-216-081-00	METAL CHIP 22K	5% 1/10W
R160	1-216-081-00	METAL CHIP 22K	5% 1/10W
R161	1-216-073-00	METAL CHIP 10K	5% 1/10W
R162	1-216-089-11	METAL GLAZE 47K	5% 1/10W
R163	1-216-065-00	METAL CHIP 4.7K	5% 1/10W
R164	1-216-089-11	METAL GLAZE 47K	5% 1/10W
R165	1-216-065-00	METAL CHIP 4.7K	5% 1/10W
R166	1-216-073-00	METAL CHIP 10K	5% 1/10W
R167	1-216-049-11	METAL GLAZE 1K	5% 1/10W
R168	1-216-089-11	METAL GLAZE 47K	5% 1/10W
R201	1-216-073-00	METAL CHIP 10K	5% 1/10W
R202	1-216-083-00	METAL CHIP 27K	5% 1/10W
R203	1-216-097-11	METAL GLAZE 100K	5% 1/10W
R204	1-216-073-00	METAL CHIP 10K	5% 1/10W
R205	1-216-073-00	METAL CHIP 10K	5% 1/10W
R206	1-216-073-00	METAL CHIP 10K	5% 1/10W
R207	1-216-049-11	METAL GLAZE 1K	5% 1/10W
R208	1-216-041-00	METAL CHIP 470	5% 1/10W
R209	1-216-073-00	METAL CHIP 10K	5% 1/10W
R210	1-216-113-00	METAL CHIP 470K	5% 1/10W
R250	1-216-073-00	METAL CHIP 10K	5% 1/10W
R251	1-216-073-00	METAL CHIP 10K	5% 1/10W
R252	1-216-037-00	METAL CHIP 330	5% 1/10W
R253	1-216-037-00	METAL CHIP 330	5% 1/10W
R254	1-216-298-00	METAL CHIP 2.2	5% 1/10W
R255	1-216-298-00	METAL CHIP 2.2	5% 1/10W
R256	1-216-025-11	METAL GLAZE 100	5% 1/10W
R257	1-216-025-11	METAL GLAZE 100	5% 1/10W
R258	1-216-017-11	METAL GLAZE 47	5% 1/10W
R259	1-216-017-11	METAL GLAZE 47	5% 1/10W

Ref. No.	Part No.	Description	Remark
R263	1-216-065-00	METAL CHIP 4.7K	5% 1/10W
		< VARIABLE RESISTOR >	
RV201	1-225-441-21	RES, VAR, CARBON 20K (VOLUME)	
RV202	1-225-441-31	RES, VAR, CARBON 100K (TONE)	
		< SWITCH >	
SW1	1-571-172-11	SWITCH, SLIDE (BAND)	
SW2	1-771-023-11	SWITCH, PUSH (5 KEY) (PRESET)	
		< TRANSFORMER >	
T1	1-403-872-00	IFT FM CONVERTER(SMALL TYPE)	
T2	1-404-355-00	TRANSFORMER, IF	
T101	1-449-777-11	TRANSFORMER, DC-DC CONVERTER	
*****			
*	1-663-981-11	POWER BOARD	*****
	1-533-233-21	HOLDER, FUSE	
	3-939-484-01	BUTTON (POWER)	
		< CAPACITOR >	
C901	1-163-035-00	CERAMIC CHIP 0.047uF	50V
C902	1-163-035-00	CERAMIC CHIP 0.047uF	50V
C903	1-163-035-00	CERAMIC CHIP 0.047uF	50V
C904	1-163-035-00	CERAMIC CHIP 0.047uF	50V
C905	1-126-768-11	ELECT 2200uF	20% 16V
		< CONNECTOR >	
CN901	1-580-182-11	SOCKET, CONNECTOR 3P	
		< DIODE >	
D901	8-719-052-88	DIODE 1N4002	
D902	8-719-052-88	DIODE 1N4002	
D903	8-719-052-88	DIODE 1N4002	
D904	8-719-052-88	DIODE 1N4002	
		< FUSE >	
△ F901	1-532-502-31	FUSE, TIME LAG (T1.25AL/250V)	
		< SWITCH >	
S901	1-762-856-11	SWITCH, PUSH (1 KEY) (OPERATION)	
*****			
*	1-663-982-11	VOLUME BOARD	*****
		< CAPACITOR>	
C110	1-164-232-11	CERAMIC CHIP 0.01uF	50V
		< CONNECTOR >	
* CN101	1-580-185-11	SOCKET, CONNECTOR 6P	
		< RESISTOR >	
R111	1-216-049-11	METAL GLAZE 1K	5% 1/10W
R112	1-216-049-11	METAL GLAZE 1K	5% 1/10W

The components identified by mark △ or dotted line with mark △ are critical for safety.  
Replace only with part number specified.

Ref. No.	Part No.	Description	Remark
R113	1-216-049-11	METAL GLAZE 1K 5%	1/10W
R114	1-216-049-11	METAL GLAZE 1K 5%	1/10W
< VARIABLE RESISTOR >			
RV3	1-241-377-11	RES, VAR, CARBON 100K (FM1)	
RV4	1-241-377-11	RES, VAR, CARBON 100K (FM2)	
RV5	1-241-377-11	RES, VAR, CARBON 100K (FM3)	
RV6	1-241-377-11	RES, VAR, CARBON 100K (FM4)	
RV8	1-241-630-11	RES, ADJ, CARBON 10K	(FM FREQUENCY COVERAGE )

\*\*\*\*\*

MISCELLANEOUS  
\*\*\*\*\*

18	1-533-233-21	HOLDER, FUSE	
71	1-590-384-41	CORD, CONNECTION	
ANT1	1-501-484-11	ANTENNA, TELESCOPIC	
△ F901	1-532-502-31	FUSE, TIME LAG (T1.25AL/250V)	
L20	1-501-911-11	ANTENNA, FERRITE-ROD (LW/MW)	
SP1	1-505-578-11	SPEAKER (16cm)	
△ T901	1-431-222-11	TRANSFORMER, POWER	

\*\*\*\*\*

ACCESSORIES & PACKING MATERIALS  
\*\*\*\*\*

△	1-696-562-11	CORD, POWER (AEP,IT)	
△	1-751-115-11	CORD, POWER (UK)	
	3-859-293-11	MANUAL, INSTRUCTION (ENGLISH,FRENCH,GERMAN,SPANISH,DUTCH, SWEDISH,ITALIAN,PORTUGUESE)	

\*\*\*\*\*

\*\*\*\*\*  
**HARDWARELIST**  
\*\*\*\*\*

#1	7-685-903-31	SCREW +PTPWH 3X10,TYPE2	
#2	7-685-549-14	SCREW +BTP 3X14 TYPE2 N-S	
#3	7-685-547-19	SCREW +BTP 3X10 TYPE2 N-S	
#4	7-685-134-19	SCREW +BTP 2.6X8 TYPE2 N-S	
#5	7-621-770-87	SCREW +B 2.6X5	
#6	7-623-508-01	LUG, 3	

The components identified by mark △ or dotted line with mark △ are critical for safety.  
Replace only with part number specified.



# ICF-9600

---

**SONY.**

*AEP Model*  
*UK Model*

## **SERVICE MANUAL**

### **CORRECTION -1**

File this Correction with the Service Manual.

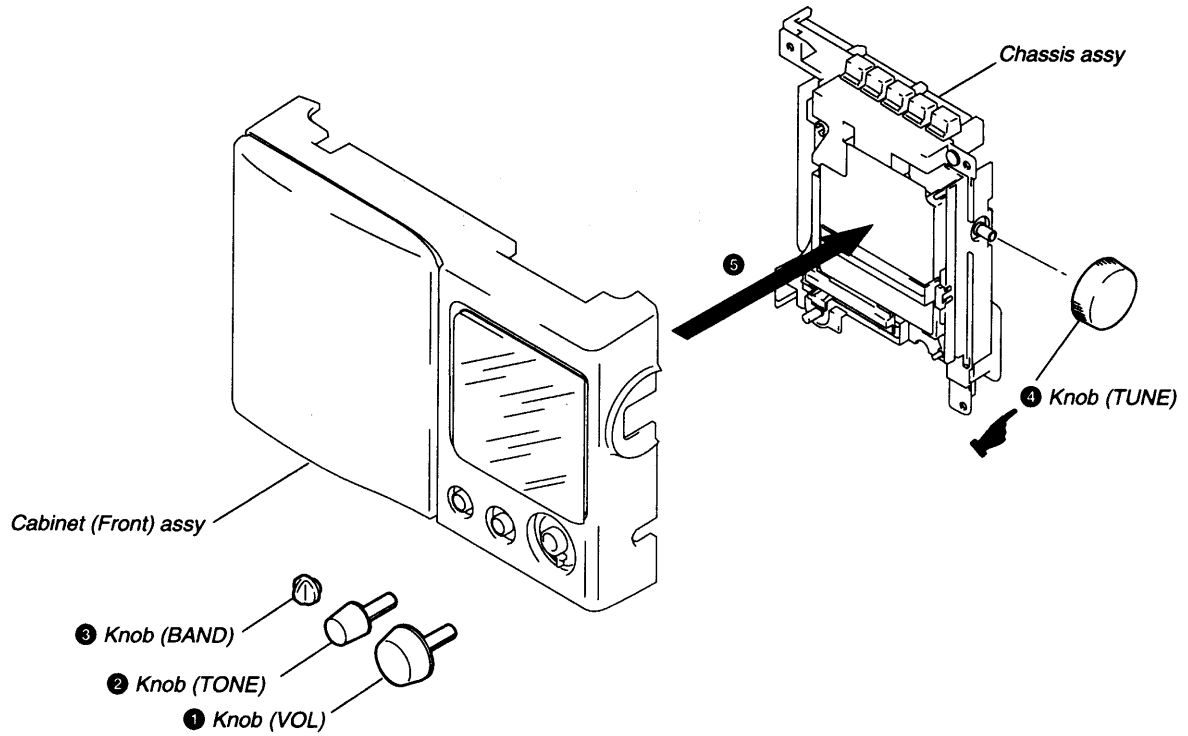
• DISASSEMBLY

 : Corrected portion

Page 4

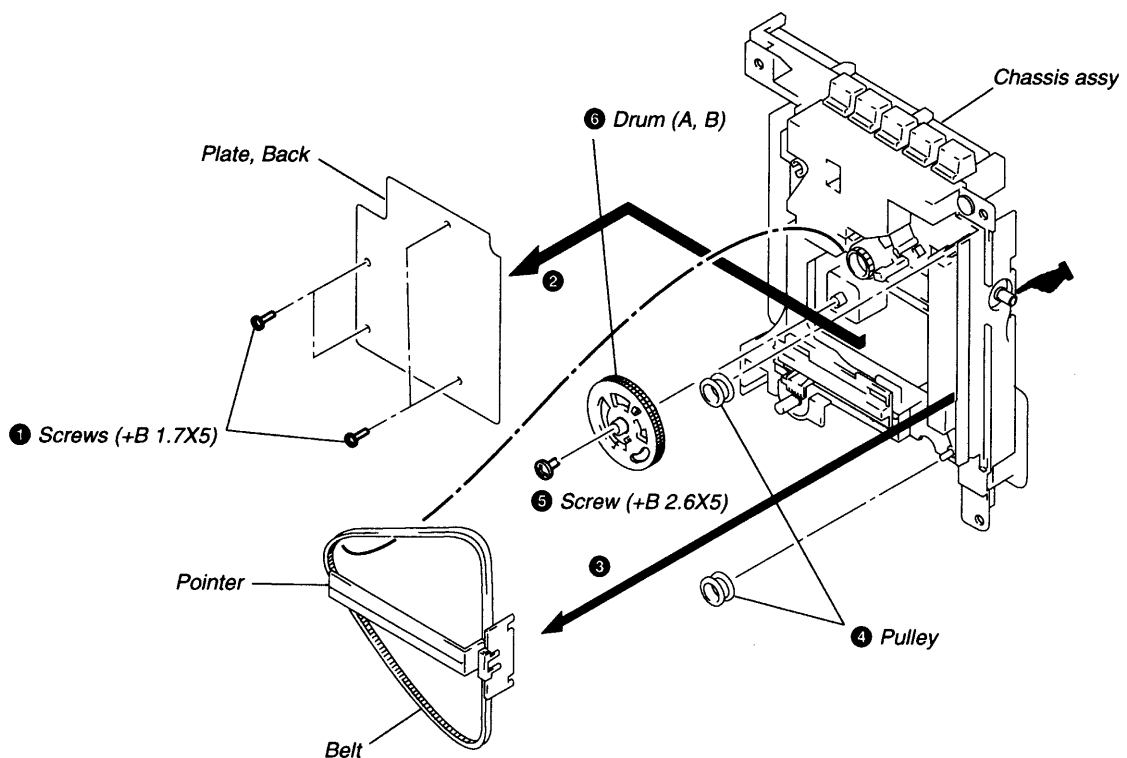
Note : Follow the disassembly procedure in the numerical order given.

2-2. CABINET (FRONT) ASSY REMOVAL



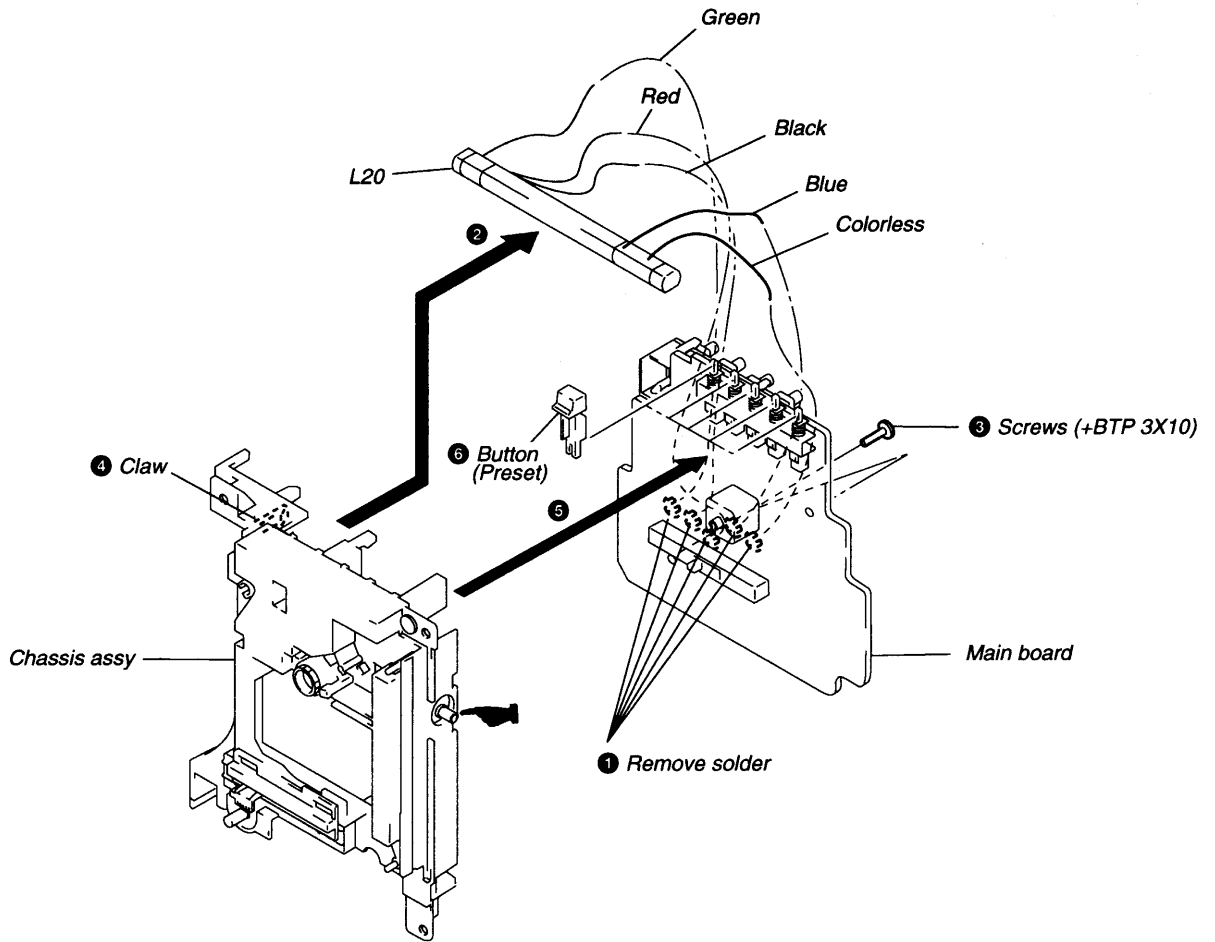
Page 5

2-3. POINTER AND DRUM (A, B) REMOVAL





## 2-4. MAIN BOARD REMOVAL

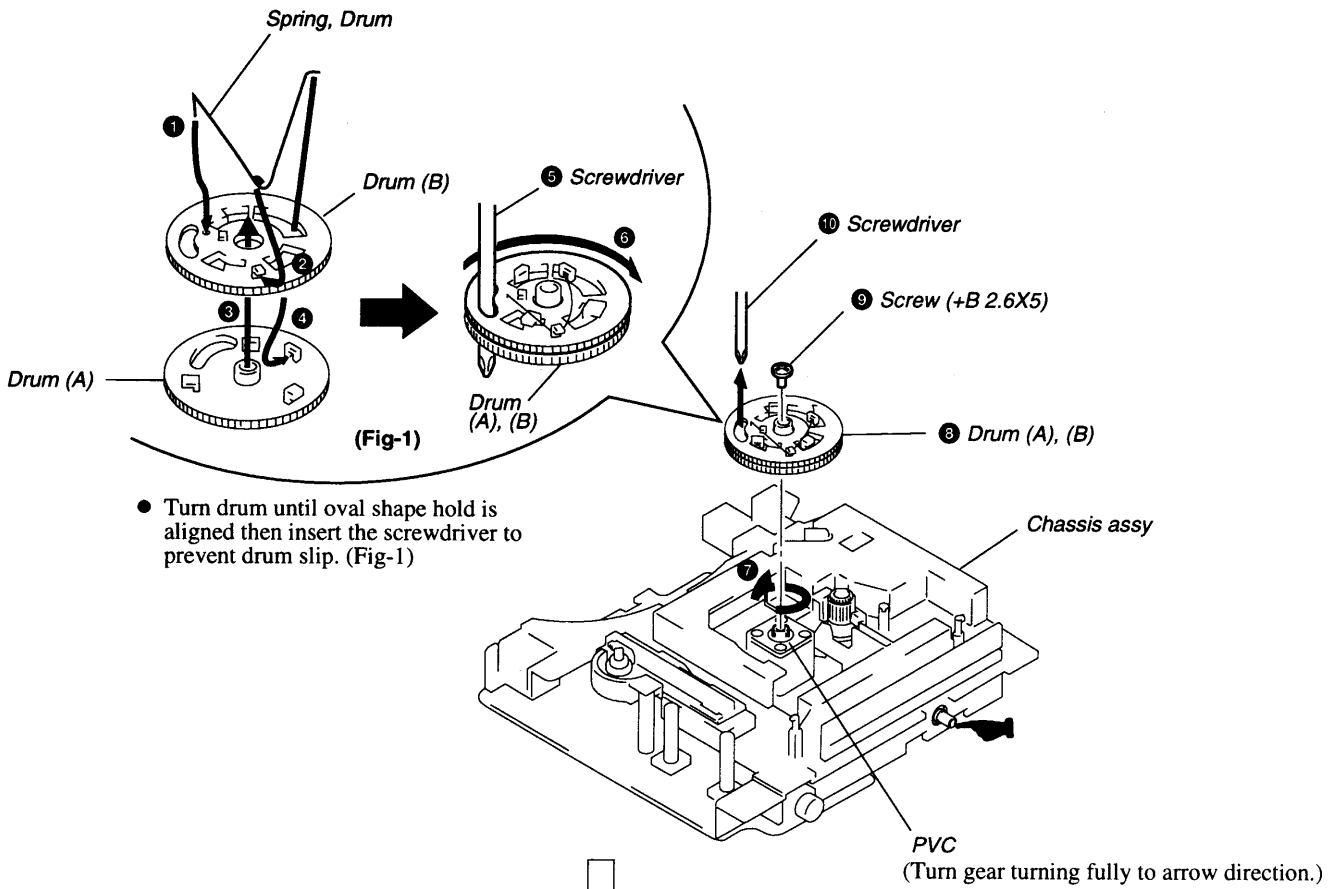


● **DIAL POINTER INSTALLATION**

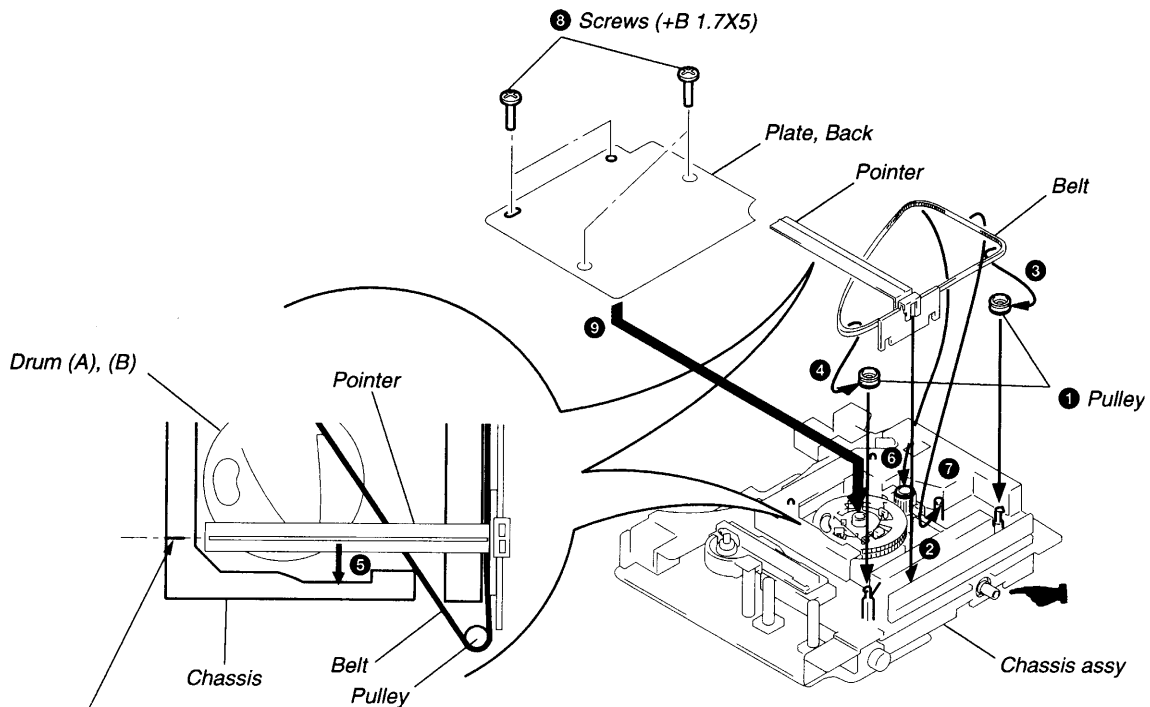
 : Corrected portion

**Page 7**

**Note :** Follow the installation procedure in the numerical order given.



- Turn drum until oval shape hold is aligned then insert the screwdriver to prevent drum slip. (Fig-1)



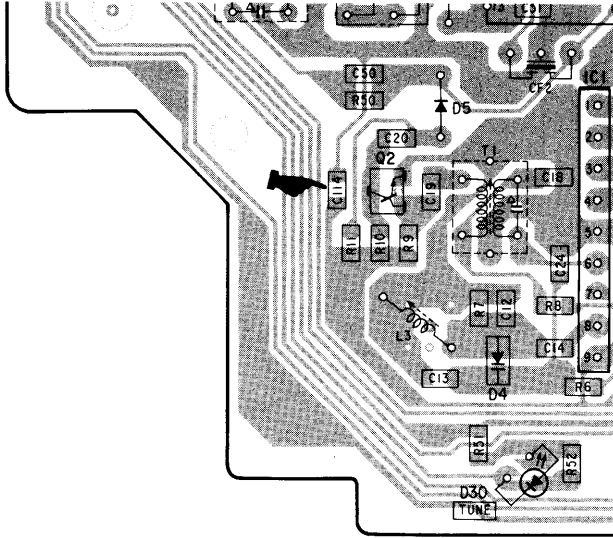
- Align the center of the pointer with the groove in the chassis. (VARIABLE CAPACITOR : MIN)

**PRINTED WIRING BOARD**

: Added portion

**Page 10**

(Location : 4 - 7, H - J)

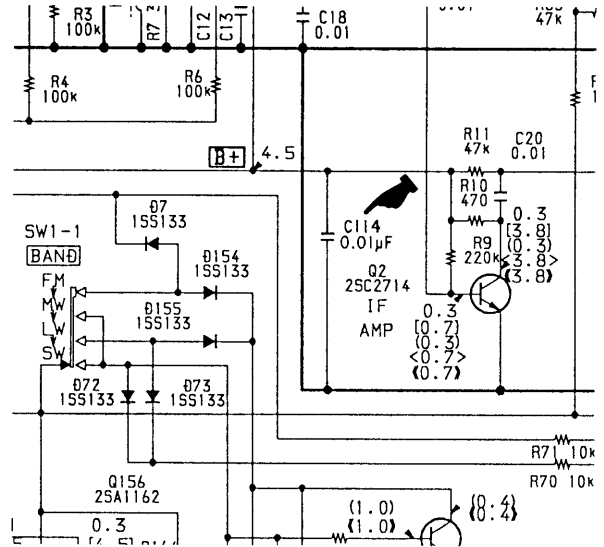


**SCHEMATIC DIAGRAM**

: Added portion

**Page 13**

(Location : 4 - 6, D - G)

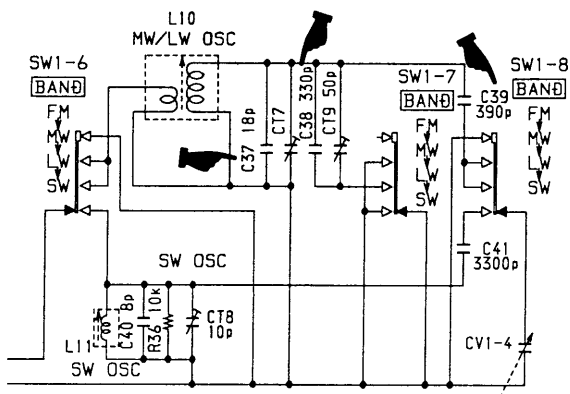
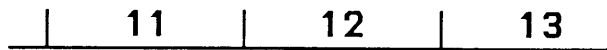


**SCHEMATIC DIAGRAM**

: Changed portion

**Page 14**

(Location : 11 - 13, A - B)



6. C201

**MAIN** (Service Manual See page 18, 19)

Ref. No.	Former Type					New type					Remark
	Part No.	Description				Part No.	Description				
C37	1-102-949-00	CERAMIC	12PF	5%	50V	1-102-953-00	CERAMIC	18PF	5%	50V	Changed
C38	1-163-128-00	CERAMIC CHIP	300PF	5%	50V	1-163-263-11	CERAMIC CHIP	330PF	5%	50V	Changed
C39	1-163-263-11	CERAMIC CHIP	330PF	5%	50V	1-163-131-00	CERAMIC CHIP	390PF	5%	50V	Changed
C114						1-164-232-11	CERAMIC CHIP	0.01uF		50V	Added
L8	1-402-658-11	COIL, AIR-CORE (IT)				1-428-768-11	COIL, AIR-CORE				Changed
	1-428-768-11	COIL, AIR-CORE (AEP, UK)									

