

ICF-SW600

SERVICE MANUAL

US Model
Canadian Model
AEP Model
UK Model
E Model
Australian Model



本资料由OKXIA视听皮带资源库www.okxia.cn提供

SPECIFICATIONS

Frequency range :

- FM : 65 – 108 MHz (East European model)
: 87.5 – 108 MHz (EXCEPT East European model)
- MW : 526.5 – 1606.5 kHz (Saudi Arabia, Italian model)
: 530 – 1605 kHz (EXCEPT Saudi Arabia, Italian model)
- LW : 153 – 255 kHz
- SW1 : 4.750 – 5.060 MHz (60 meter band)
- SW2 : 5.900 – 6.200 MHz (49 meter band)
- SW3 : 7.100 – 7.350 MHz (41 meter band)
- SW4 : 9.400 – 9.990 MHz (31 meter band)
- SW5 : 11.600 – 12.100 MHz (25 meter band)
- SW6 : 13.570 – 13.870 MHz (22 meter band)
- SW7 : 15.100 – 15.800 MHz (19 meter band)
- SW8 : 17.480 – 17.900 MHz (16 meter band)
- SW9 : 21.450 – 21.850 MHz (13 meter band)

Intermediate frequency

- FM : 10.7 MHz
- MW : 455kHz

Speaker

Approx. 10 cm (4 inches) dia., 8Ω

Power output

430 mW (at 10% harmonic distortion)

Output

⊙ jack (minijack)

Power requirements

With the supplied AC power cord :

US, Canadian, Central & South America model : 120V AC, 60Hz

EXCEPT US, Canadian, Central & South America model :

220–230V AC, 50Hz

With four R6 (size AA) batteries : 6 V DC

Dimensions

Approx. 256x129x60.5 mm (w/h/d)

(10¹/₈ x 5¹/₈ x 2¹/₂ inches)

incl. projecting parts and control with carrying handle pushed in.

Mass

Approx. 1030 g (2 lb 4 oz) incl. batteries

Supplied accessory

- AC power cord (1)
- Short wave guide (1)

Design and specifications are subject to change without notice.

FM/SW1-9/MW/LW 12 BAND RECEIVER

SONY®

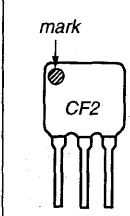
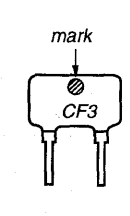
TABLE OF CONTENTS

Specifications	1
1. GENERAL	
Location and Function of Controls	3
2. DIAL POINTER INSTALLATION	4
3. ELECTRICAL ADJUSTMENTS	7
4. DIAGRAMS	
4-1. Printed Wiring Boards	10
4-2. Schematic Diagram	13
5. EXPLODED VIEWS	
5-1. Cabinet Section	16
5-2. Chassis Section	17
6. ELECTRICAL PARTS LIST	18

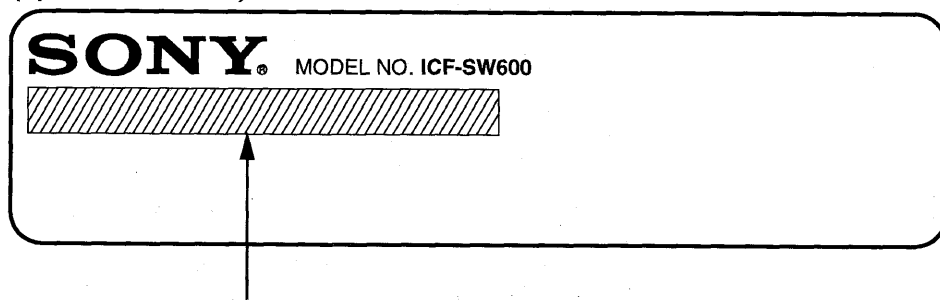
● HOW TO CHANGED THE CERAMIC FILTERS

This model is used three ceramic filters of CF2 and CF3. You must used same type of color marked ceramic filters in order to meet same specifications.

Therefore, the ceramic filter must changed two pieces together since it's supply two pieces in one package as a spare parts.

		Mark	Center frequency
		red	10.70MHz
		blue	10.67MHz
		orange	10.73MHz
		black	10.64MHz
		white	10.76MHz

MODEL IDENTIFICATION (Specification Label)



US, Canadian, Central & South America model : 120 V AC, 60Hz
EXCEPT US, Canadian, Central & South America model : 220 – 230 V AC, 50Hz

SAFETY-RELATED COMPONENT WARNING!!

COMPONENTS IDENTIFIED BY MARK \triangle OR DOTTED LINE WITH MARK \triangle ON THE SCHEMATIC DIAGRAMS AND IN THE PARTS LIST ARE CRITICAL TO SAFE OPERATION. REPLACE THESE COMPONENTS WITH SONY PARTS WHOSE PART NUMBERS APPEAR AS SHOWN IN THIS MANUAL OR IN SUPPLEMENTS PUBLISHED BY SONY.

ATTENTION AU COMPOSANT AYANT RAPPORT À LA SÉCURITÉ!

LES COMPOSANTS IDENTIFIÉS PAR UNE MARQUE \triangle SUR LES DIAGRAMMES SCHÉMATIQUES ET LA LISTE DES PIÈCES SONT CRITIQUES POUR LA SÉCURITÉ DE FONCTIONNEMENT. NE REMPLACER CES COMPOSANTS QUE PAR DES PIÈCES SONY DONT LES NUMÉROS SONT DONNÉS DANS CE MANUEL OU DANS LES SUPPLÉMENTS PUBLIÉS PAR SONY.

SAFETY CHECK-OUT

After correcting the original service problem, perform the following safety check before releasing the set to the customer :
Check the antenna terminals, metal trim, "metallized" knobs, screws, and all other exposed metal parts for AC leakage. Check leakage as described below.

LEAKAGE TEST

The AC leakage from any exposed metal part to earth ground and from all exposed metal parts to any exposed metal part having a return to chassis, must not exceed 0.5mA (500 microampers).

Leakage current can be measured by any one of three methods.

1. A commercial leakage tester, such as the Simpson 229 or RCA WT-540A. Follow the manufacturers' instructions to use these instruments.
2. A battery-operated AC milliammeter. The Data Precision 245 digital multimeter is suitable for this job.
3. Measuring the voltage drop across a resistor by means of a VOM or battery-operated AC voltmeter. The "limit" indication is 0.75V, so analog meters must have an accurate low-

voltage scale. The Simpson 250 and Sanwa SH-63Trd are examples of a passive VOM that is suitable. Nearly all battery operated digital multimeters that have a 2V AC range are suitable. (See Fig. A)

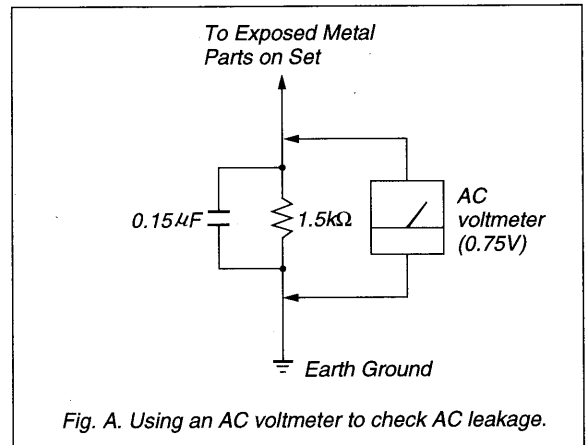
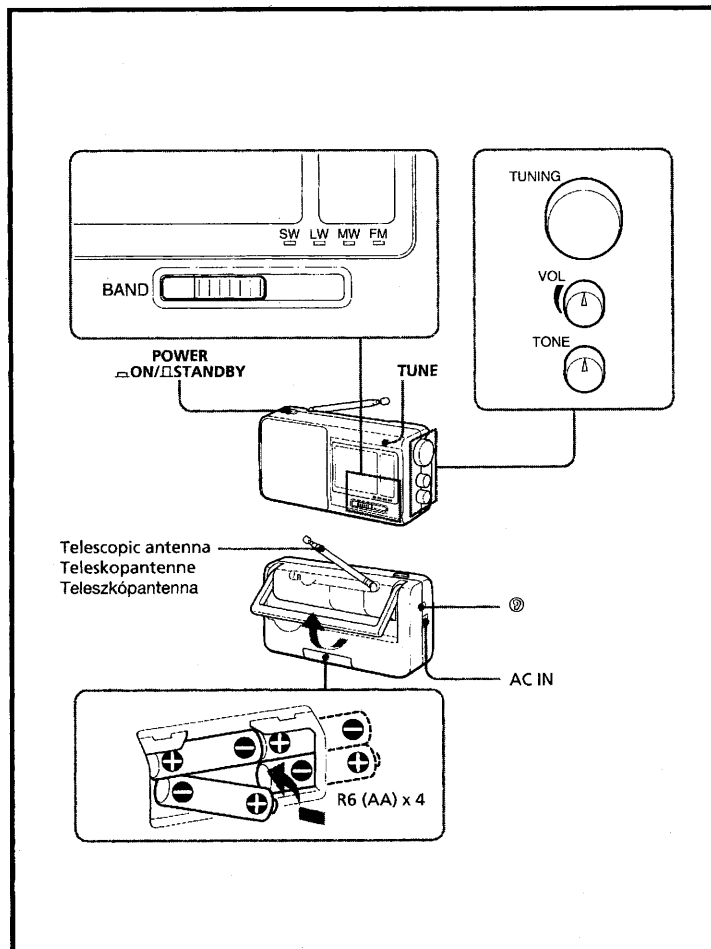


Fig. A. Using an AC voltmeter to check AC leakage.

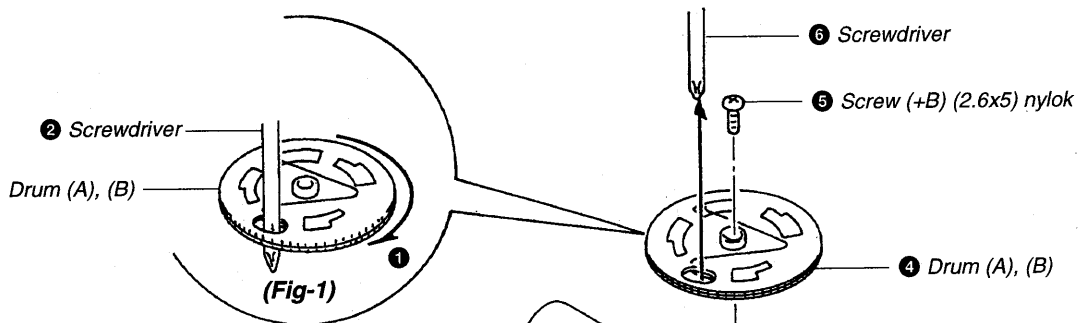
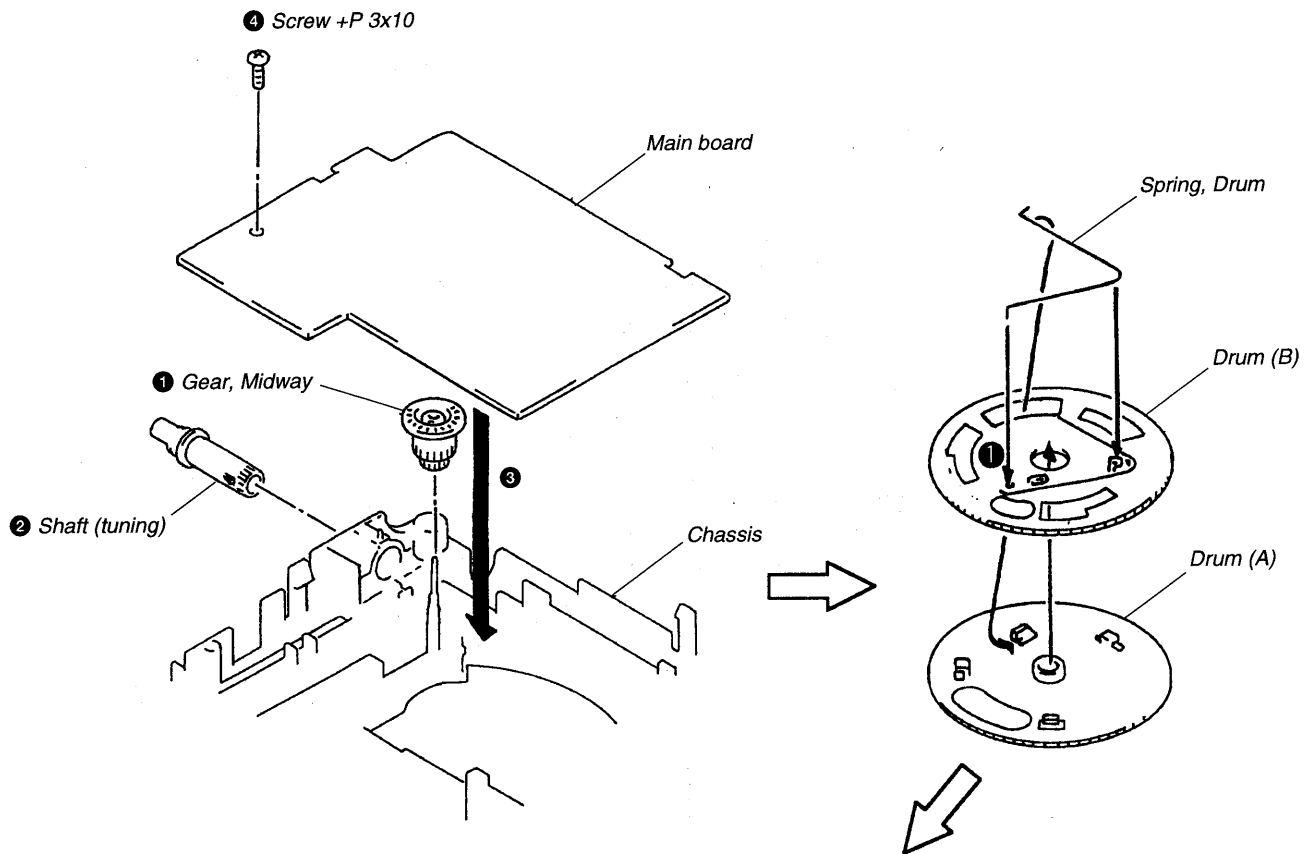
SECTION 1 GENERAL

This section is extracted from instruction manual.

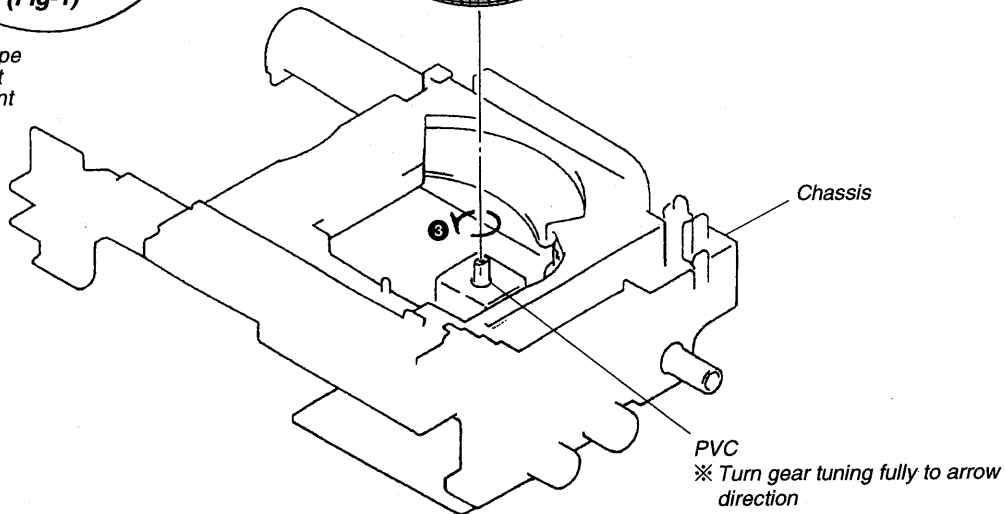


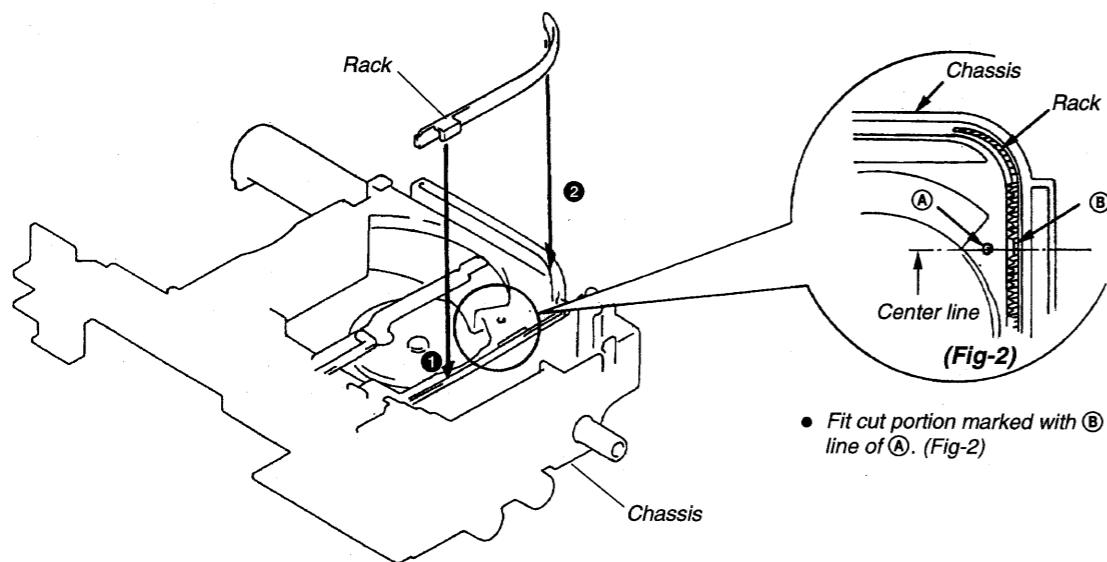
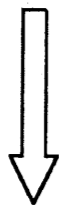
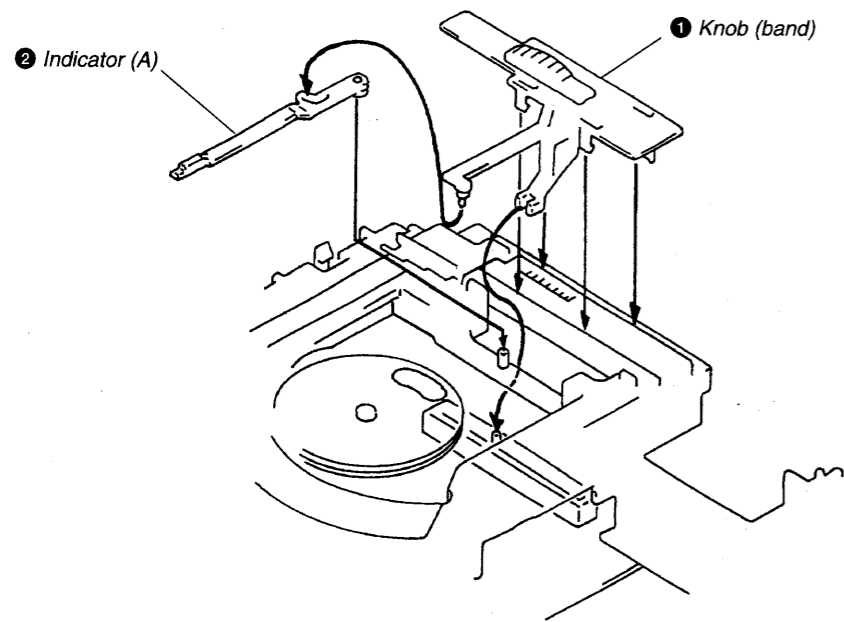
SECTION 2 DIAL POINTER INSTALLATION

Note : Follow the installation procedure in the numerical order given.

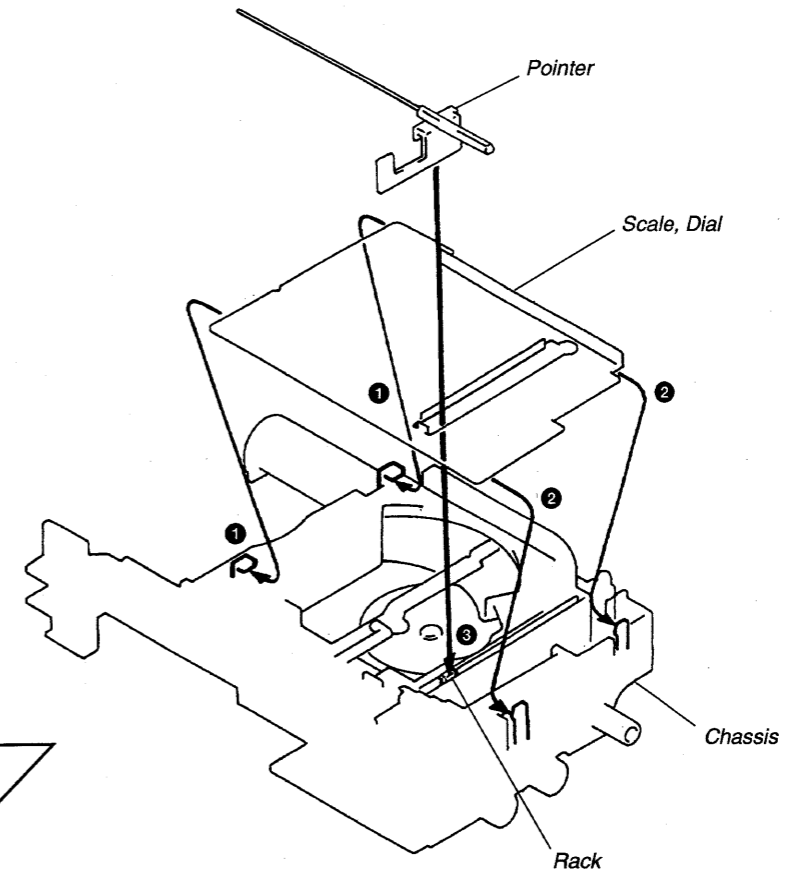


- Turn drum until oval shape hold is aligned then inset the screwdriver to prevent drum slip. (Fig-1)





• Fit cut portion marked with B to center line of A. (Fig-2)



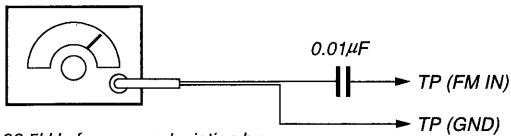
SECTION 3 ELECTRICAL ADJUSTMENTS

- Adjust in the order of FM→MW→LW→SW.
- The AM oscillator stages (CT1-1 and CT1-2) for the PVC are shared for MW, LW and SW so if MW is returned then LW and SW both have to be returned

FM Section

BAND switch : FM
VOL : MAX
TONE : mechanical center

FM RF signal generator

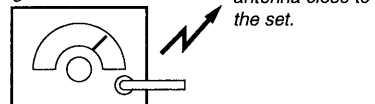


22.5kHz frequency deviation by 400Hz signal.
Output level : as low as possible

MW/LW Section

BAND switch : MW/LW
VOL : MAX
TONE : mechanical center

AM RF signal generator

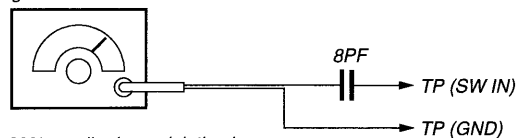


30% amplitude modulation by 400Hz signal.
Output level : as low as possible

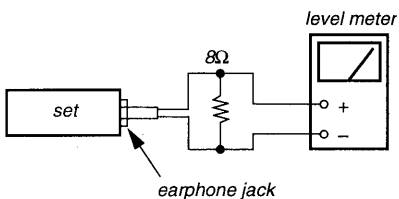
SW Section

BAND switch : SW (1-9)
VOL : MAX
TONE : mechanical center

AM RF signal generator



30% amplitude modulation by 400Hz signal.
Output level : as low as possible



- Repeat the procedures in each adjustment several times, and the frequency coverage and tracking adjustments should be finally done by the trimmer capacitors.

[FM]

- Cut the board pattern when tuning the FM.
After tuning is complete always lay solder across the point where the pattern was cut.

no mark : US, Canadian, AEP, UK, Central & South America, Singapore model
< > : Saudi Arabia, Italian model
[] : East European model

FM FREQUENCY COVERAGE ADJUSTMENT			
Adjust for a maximum reading on level meter.			
L5	87.3MHz	<87.3MHz>	[64.0MHz]
CT1 - 4	108.5MHz	<108.3MHz>	[109.5MHz]

FM TRACKING ADJUSTMENT			
Adjust for a maximum reading on level meter.			
L4	87.3MHz	<87.3MHz>	[64.0MHz]
CT1 - 3	108.5MHz	<108.3MHz>	[109.5MHz]

[MW]

no mark : EXCEPT Saudi Arabia, Italian model
< > : Saudi Arabia, Italian model

AM IF ALIGNMENT	
Adjust for a maximum reading on level meter.	
T2	455kHz

MW FREQUENCY COVERAGE ADJUSTMENT		
Adjust for a maximum reading on level meter.		
L2	520kHz	<516kHz>
CT1 - 2	1,650kHz	<1,630kHz>

MW TRACKING ADJUSTMENT	
Adjust for a maximum reading on level meter.	
L1 - 1	600kHz
CT1 - 1	1,400kHz

[LW]

LW FREQUENCY COVERAGE ADJUSTMENT	
Adjust for a maximum reading on level meter.	
L3	145kHz
CT3	265kHz

LW TRACKING ADJUSTMENT	
Adjust for a maximum reading on level meter.	
L1 - 2	160kHz
CT2	250kHz

[SW]

● Issue a signal at a frequency of +910kHz (image frequency) from an amplitude modulated RF signal generator once tuning of each band above is complete, and make sure this signal can be received. If this signal cannot be received, raise the oscillator core to the upper end and then retune. Then make sure this image frequency can be received.

SW1 CENTER FREQUENCY ADJUSTMENT	
Adjust for a maximum reading on level meter.	
L27	4.87MHz

SW2 CENTER FREQUENCY ADJUSTMENT	
Adjust for a maximum reading on level meter.	
L26	6.0MHz

SW3 CENTER FREQUENCY ADJUSTMENT	
Adjust for a maximum reading on level meter.	
L25	7.22MHz

SW4 CENTER FREQUENCY ADJUSTMENT	
Adjust for a maximum reading on level meter.	
L24	9.62MHz

SW5 CENTER FREQUENCY ADJUSTMENT	
Adjust for a maximum reading on level meter.	
L23	11.83MHz

SW6 CENTER FREQUENCY ADJUSTMENT	
Adjust for a maximum reading on level meter.	
L22	13.65MHz

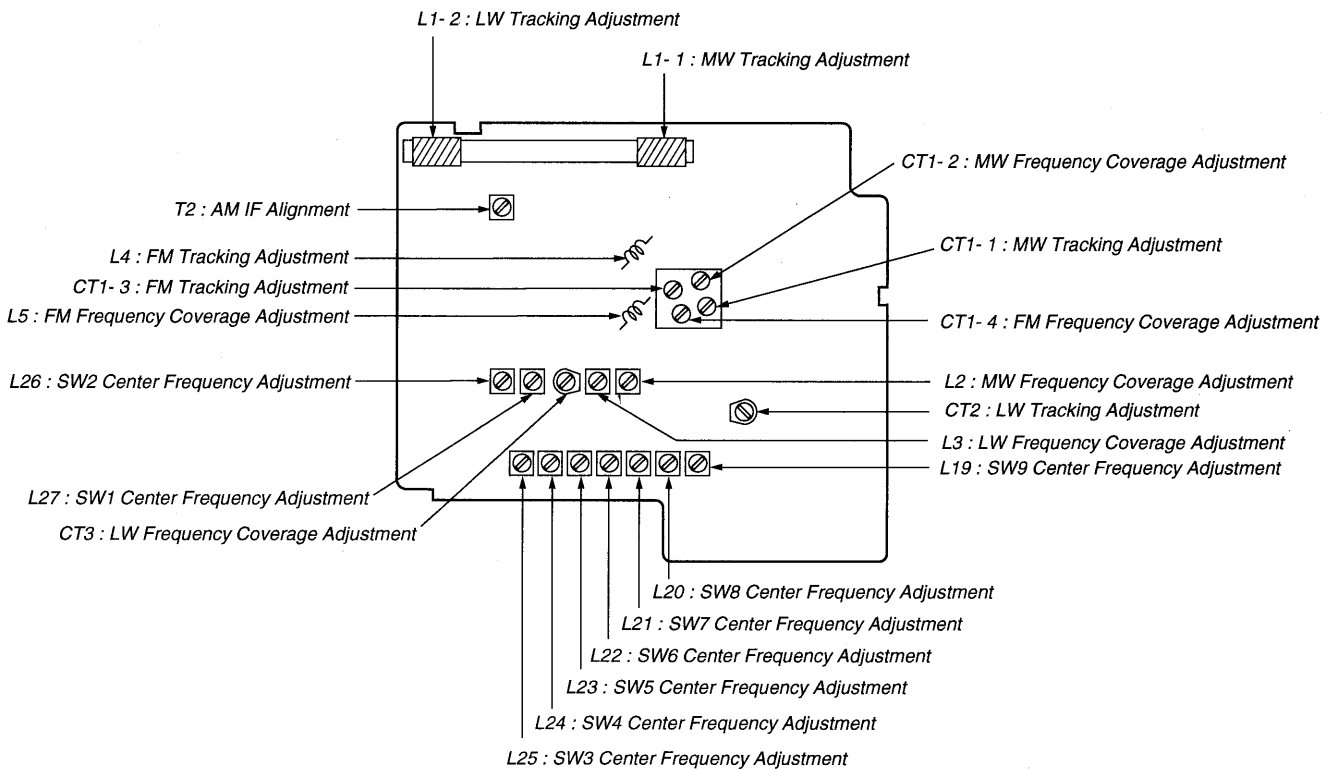
SW7 CENTER FREQUENCY ADJUSTMENT	
Adjust for a maximum reading on level meter.	
L21	15.37MHz

SW8 CENTER FREQUENCY ADJUSTMENT	
Adjust for a maximum reading on level meter.	
L20	17.63MHz

SW9 CENTER FREQUENCY ADJUSTMENT	
Adjust for a maximum reading on level meter.	
L19	21.60MHz

Adjustment Location :

[MAIN BOARD] (Component side)



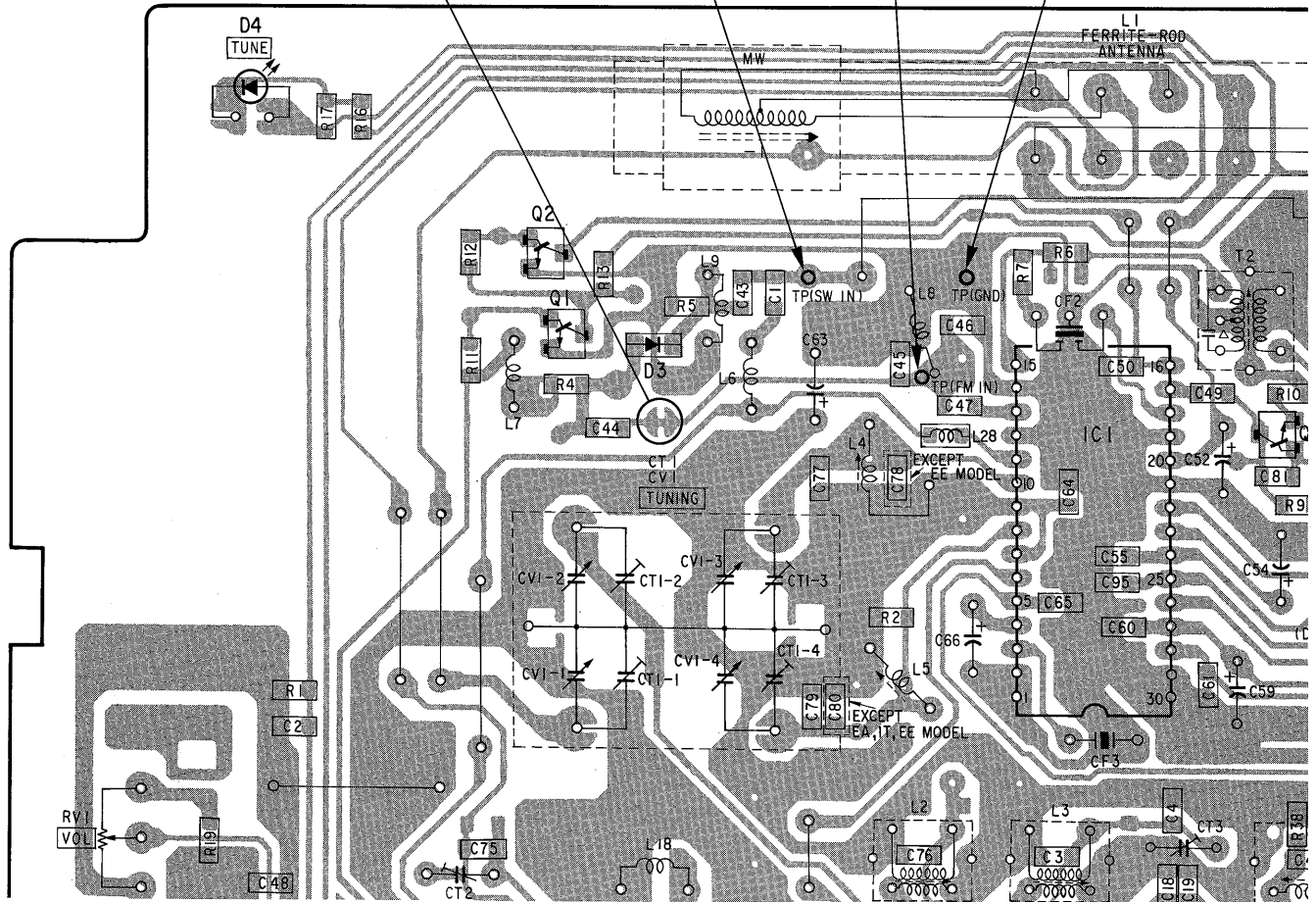
[MAIN BOARD] (Conductor side)

Cut point
 CUT PATTERN for only FM Adjustment
 (Don't forget to solder for short after adjustment)

TP (SW IN)

TP (FM IN)

TP (GND)

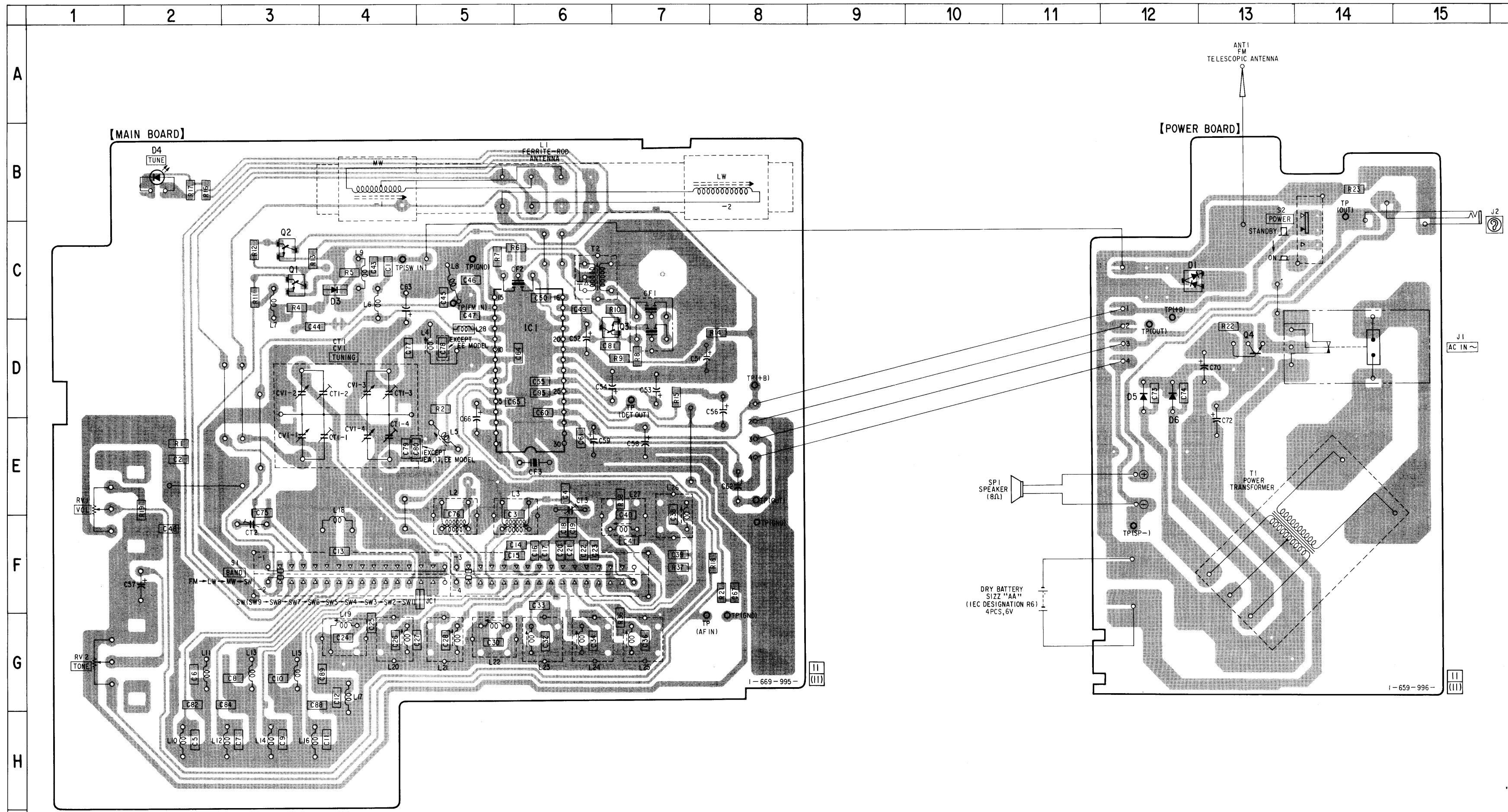


SECTION 4
DIAGRAMS

4-1. PRINTED WIRING BOARDS

● SEMICONDUCTOR LOCATION

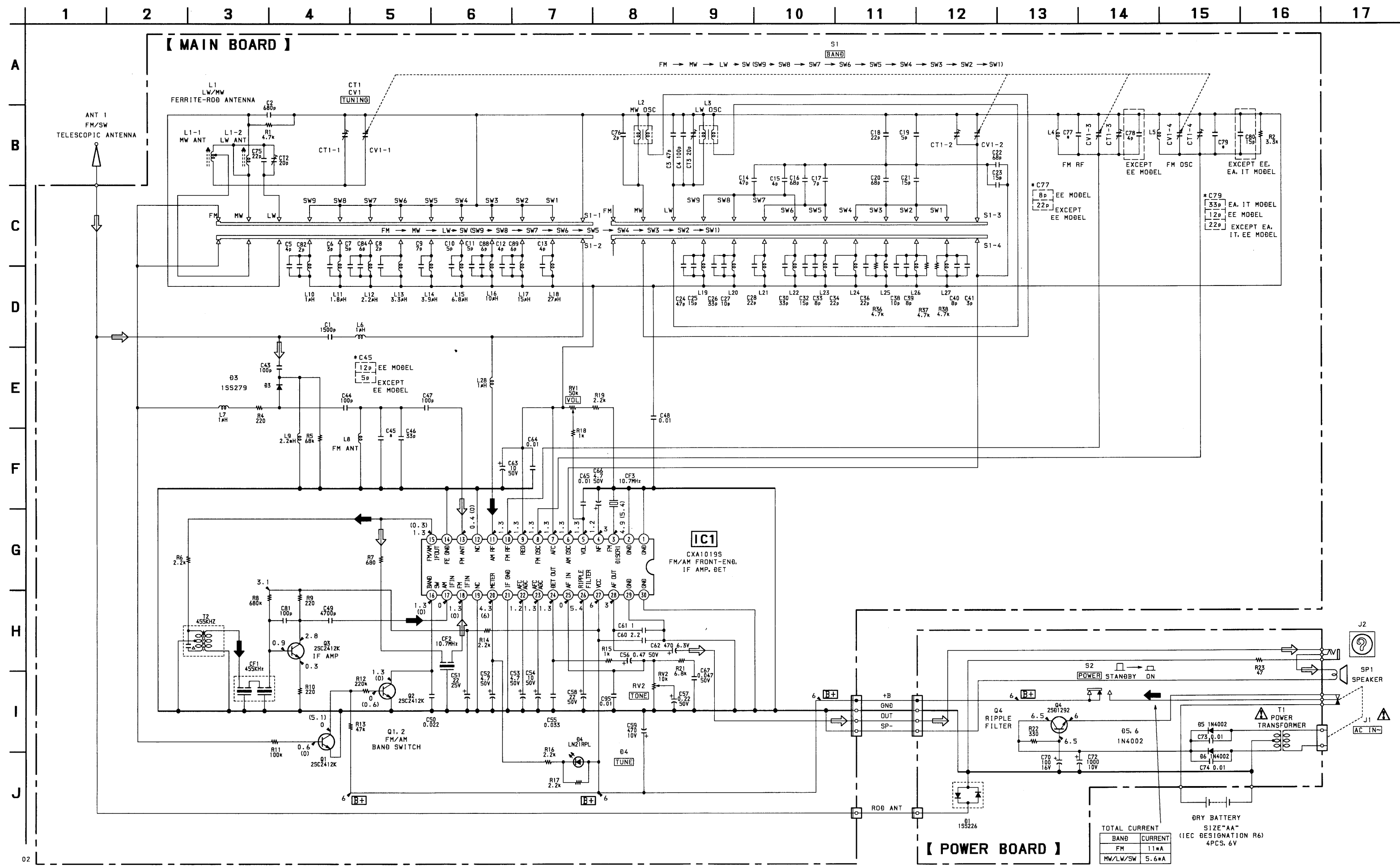
Ref. No.	Location
D1	C-12
D3	C-4
D4	B-2
D5	D-12
D6	D-12
IC1	D-6
Q1	C-3
Q2	C-3
Q3	D-6
Q4	D-13



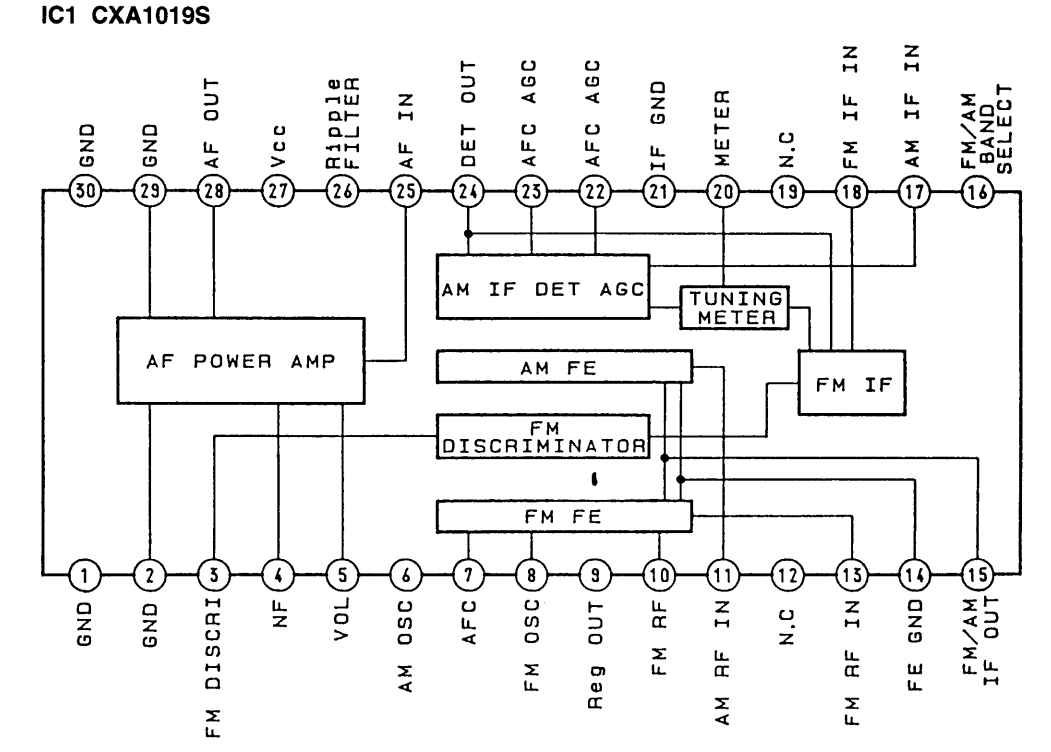
Note:

- : parts extracted from the component side.
- ▨ : Pattern on the side which is seen.
- Abbreviation
EA : Saudi Arabia
IT : Italian
EE : East European

4-2. SCHEMATIC DIAGRAM



IC BLOCK DIAGRAMS



Note :

- All capacitors are in μF unless otherwise noted. pF : μmF 50VW or less are not indicated except for electrolytics and tantalums.
- All resistors are in Ω and $1/4\text{W}$ or less unless otherwise specified.
- Δ : internal component.

Note :
The components identified by mark Δ or dotted line with mark Δ are critical for safety. Replace only with part number specified.

Note :
Les composants identifiés par une marque Δ sont critiques pour la sécurité. Ne les remplacer que par une pièce portant le numéro spécifié.

- **B+** : B+ Line
- Power voltage is dc 3V and fed with regulated dc power supply from external power voltage jack.
- Voltages are dc with respect to ground under no-signal (detuned) conditions.
no mark : FM
() : MW/LW/SW
- Voltages are taken with a VOM (Input impedance 10M Ω). Voltage variations may be noted due to normal production tolerances.
- Signal path.
 \rightarrow : FM
 \rightarrow : MW
- Abbreviation
EA : Saudi Arabia
IT : Italian
EE : East European

SECTION 5 EXPLODED VIEWS

NOTE :

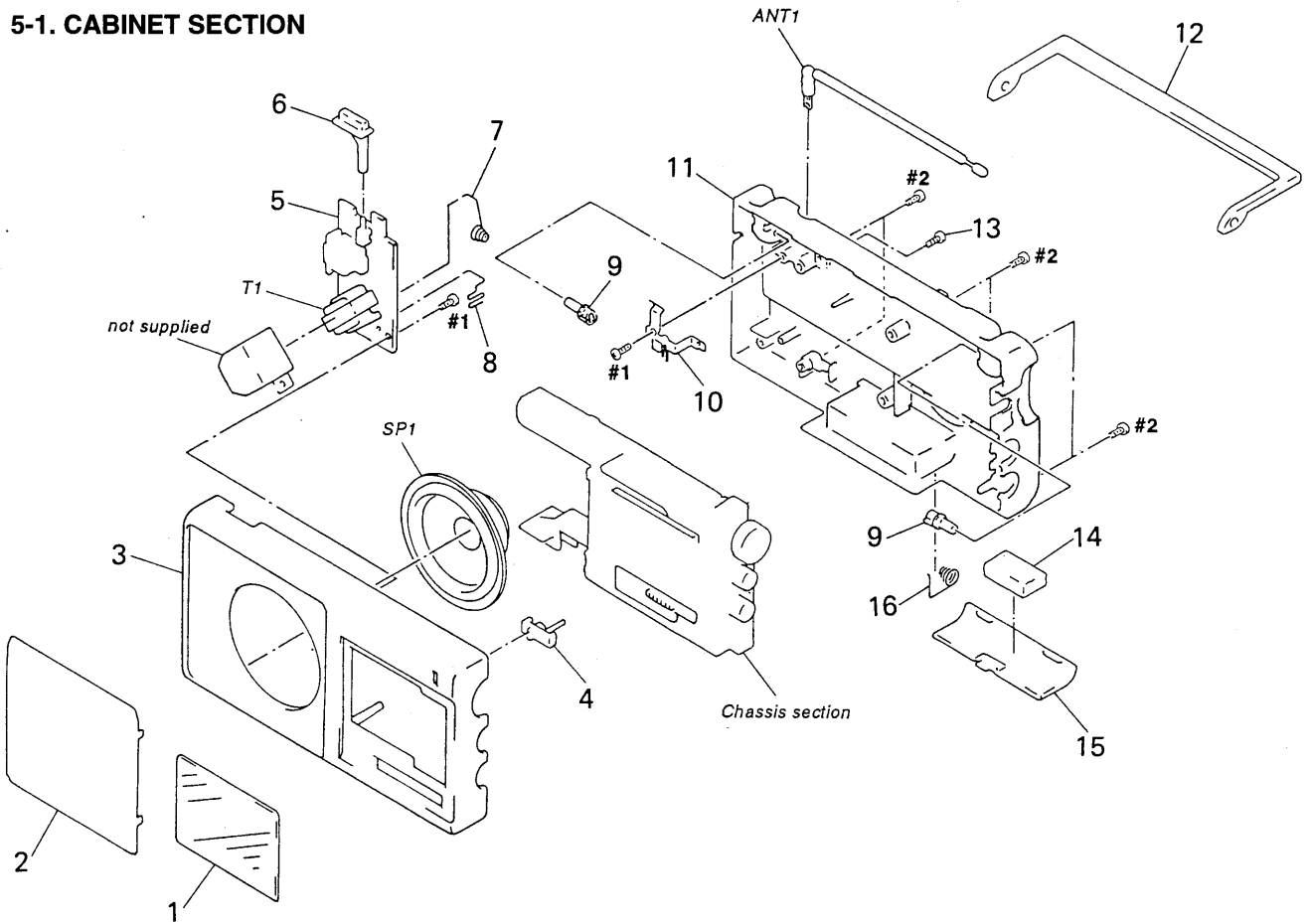
- -XX, -X mean standardized parts, so they may have some difference from the original one.
- The construction parts of an assembled part are indicated with a collation number in the remark column.
- Items marked “*” are not stocked since they are seldom required for routine service. Some delay should be anticipated when ordering these items.

- The mechanical parts with no reference number in the exploded views are not supplied.
- Hardware (# mark) list and accessories and packing materials are given in the last of this parts list.
- Abbreviation
 EA : Saudi Arabia
 C&SA : Central & South America
 SP : Singapore
 IT : Italian
 EE : East European

The components identified by mark Δ or dotted line with mark Δ are critical for safety.
 Replace only with part number specified.

Les composants identifiés par une marque Δ sont critiques pour la sécurité.
 Ne les remplacer que par une pièce portant le numéro spécifié.

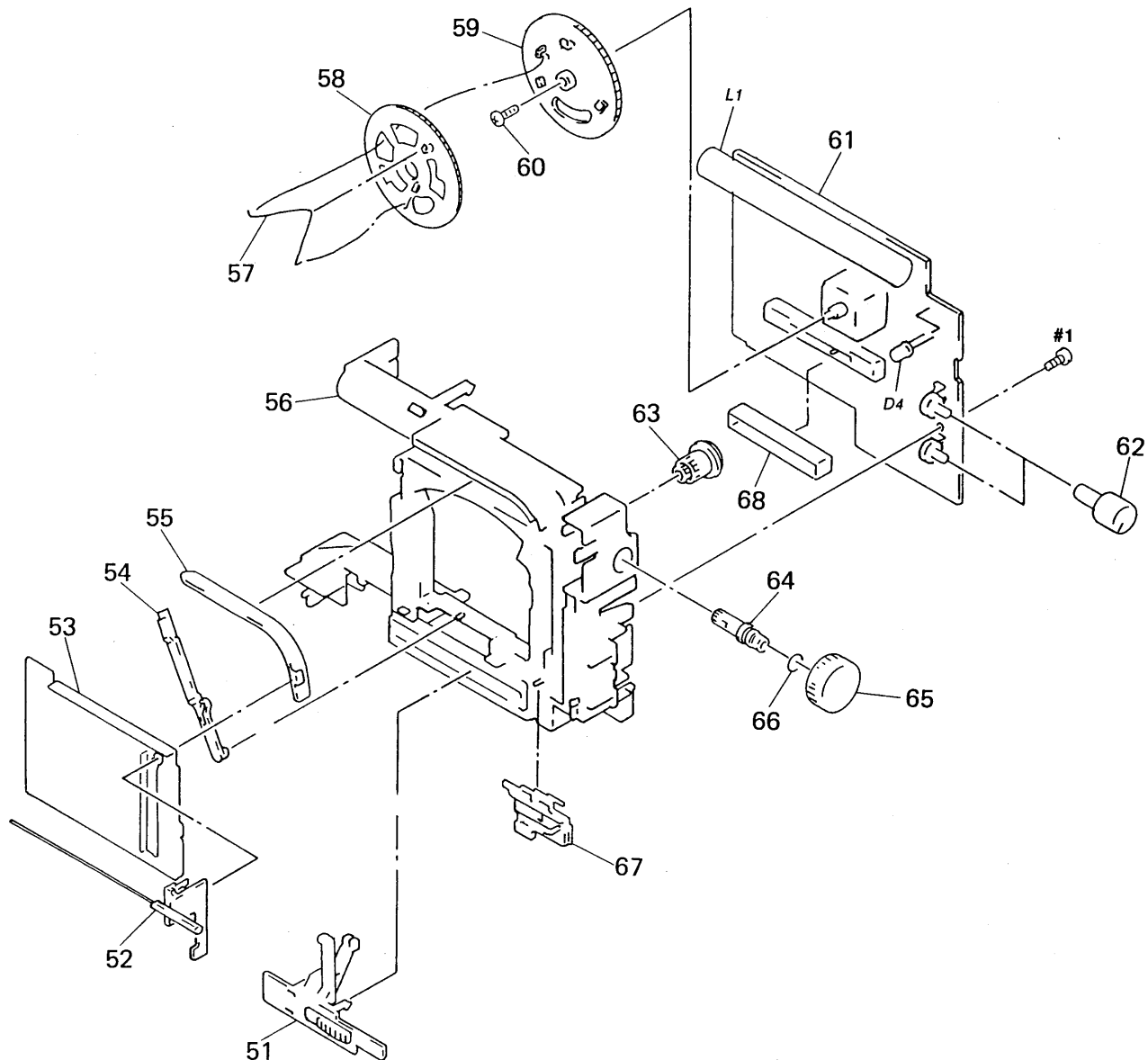
5-1. CABINET SECTION



Ref. No.	Part No.	Description	Remark
1	3-932-055-01	PLATE, TRANSPARENT (EXCEPT EE)	
1	3-932-055-11	PLATE, TRANSPARENT (EE)	
2	3-932-063-01	NET, SPEAKER	
3	3-932-054-01	CABINET (FRONT)	
4	3-932-068-01	PLATE, LIGHT GUIDE	
* 5	1-659-996-11	POWER BOARD	
6	3-363-371-01	BUTTON (POWER)	
7	3-932-066-01	TERMINAL (-), BATTERY	
8	3-932-065-01	TERMINAL (+), BATTERY	
9	3-363-372-01	SHAFT (HANDLE)	
10	3-363-360-01	SPRING, HANDLE	

Ref. No.	Part No.	Description	Remark
11	3-932-070-01	CABINET (REAR) (NO.1) (AEP,EE,UK,EA,IT,SP)	
11	3-932-070-11	CABINET (REAR) (NO.1) (US,Canadian,C&SA)	
12	3-363-379-01	HANDLE	
13	3-370-475-11	SCREW (NYLOCK +B 3X6)	
14	9-911-815-02	CUSHION	
15	3-363-392-01	LID, BATTERY CASE	
16	3-363-363-01	SPRING, PLUS.MINUS	
ANT1	1-501-362-11	ANTENNA, TELESCOPIC	
SP1	1-544-406-11	SPEAKER	
Δ T1	1-450-323-11	TRANSFORMER, POWER (US,Canadian,C&SA)	
Δ T1	1-450-324-11	TRANSFORMER, POWER (AEP,EE,UK,EA,IT,SP)	

5-2. CHASSIS SECTION



Ref. No.	Part No.	Description	Remark	Ref. No.	Part No.	Description	Remark
51	3-932-058-01	KNOB (BAND)		* 61	A-3679-757-A	MAIN BOARD, COMPLETE (EA,IT)	
52	3-932-059-01	POINTER		* 61	A-3679-841-A	MAIN BOARD, COMPLETE (EE)	
53	3-932-064-01	SCALE, DIAL		62	3-925-931-01	KNOB (CONTROL)	
* 54	3-932-056-01	INDICATOR (A)		63	3-932-060-01	GEAR, MIDWAY	
55	3-932-061-01	RACK		64	3-363-375-01	SHAFT (TUNING)	
* 56	3-932-062-01	CHASSIS		65	3-363-374-01	KNOB (T)	
57	3-363-366-01	SPRING, DRUM		66	3-363-365-01	RING	
* 58	3-363-397-01	DRUM (B)		* 67	3-932-057-01	INDICATOR (B)	
59	3-363-387-01	DRUM (A)		* 68	3-369-215-01	PLATE (B), SHIELD	
60	3-364-941-11	SCREW (+B) (2.6X5), NYLOK		D4	8-719-042-69	LED LN21RPL (TUNE)	
* 61	A-3679-746-A	MAIN BOARD, COMPLETE (US,Canadian,AEP,UK,C&SA,SP)		L1	1-402-529-11	ANTENNA, FERRITE-ROD (LW/MW)	

SECTION 6

ELECTRICAL PARTS LIST

NOTE :

- Due to standardization, replacements in the parts list may be different from the parts specified in the diagrams or the components used on the set.
- -XX, -X mean standardized parts, so they may have some difference from the original one.
- RESISTORS
All resistors are in ohms
METAL : Metal-film resistor
METAL OXIDE :Metal oxide-film resistor
F : nonflammable
- Items marked " * " are not stocked since they are seldom required for routine service. Some delay should be anticipated when ordering these items.

- SEMICONDUCTORS
In each case, u : μ , for example :
uA..... : μ A....., uPA..... : μ PA.....
uPB..... : μ PB....., uPC..... : μ PC.....
uPD..... : μ PD.....
- CAPACITORS
uF : μ F
- COILS
uH : μ H
- Abbreviation
EA : Saudi Arabia
C&SA : Central & South America
SP : Singapore
IT : Italian
EE : East European

The components identified by mark Δ or dotted line with mark Δ are critical for safety.
Replace only with part number specified.

Les composants identifiés par une marque Δ sont critiques pour la sécurité.
Ne les remplacer que par une pièce portant le numéro spécifié.

When indicating parts by reference number, please include the board.

Ref. No.	Part No.	Description	Remark	Ref. No.	Part No.	Description	Remark
*	A-3679-746-A	MAIN BOARD, COMPLETE (US,Canadian,AEP,UK,C&SA,SP)		C36	1-163-101-00	CERAMIC CHIP 22PF	5% 50V
*	A-3679-757-A	MAIN BOARD, COMPLETE (EA,IT)		C38	1-163-093-00	CERAMIC CHIP 10PF	5% 50V
*	A-3679-841-A	MAIN BOARD, COMPLETE (EE) *****		C39	1-163-091-00	CERAMIC CHIP 8PF	50V
*	3-369-215-01	PLATE (B), SHIELD < CAPACITOR >		C40	1-163-091-00	CERAMIC CHIP 8PF	50V
C1	1-163-145-00	CERAMIC CHIP 0.0015uF	5% 50V	C41	1-163-086-00	CERAMIC CHIP 3PF	50V
C2	1-163-137-00	CERAMIC CHIP 680PF	5% 50V	C43	1-163-251-11	CERAMIC CHIP 100PF	5% 50V
C3	1-163-369-11	CERAMIC CHIP 47PF	5% 50V	C44	1-163-251-11	CERAMIC CHIP 100PF	5% 50V
C4	1-163-377-11	CERAMIC CHIP 100PF	5% 50V	C45	1-163-222-11	CERAMIC CHIP 5PF	5% 50V
C5	1-163-087-00	CERAMIC CHIP 4PF	0.25PF 50V				(EXCEPT EE)
C6	1-163-220-11	CERAMIC CHIP 3PF	0.25PF 50V	C45	1-163-229-11	CERAMIC CHIP 12PF	5% 50V (EE)
C7	1-163-222-11	CERAMIC CHIP 5PF	0.25PF 50V	C46	1-163-239-11	CERAMIC CHIP 33PF	5% 50V
C8	1-163-085-00	CERAMIC CHIP 2PF	50V	C47	1-163-251-11	CERAMIC CHIP 100PF	5% 50V
C9	1-163-224-11	CERAMIC CHIP 7PF	0.25PF 50V	C48	1-163-031-11	CERAMIC CHIP 0.01uF	50V
C10	1-163-222-11	CERAMIC CHIP 5PF	0.25PF 50V	C49	1-163-029-11	CERAMIC CHIP 0.0047uF	50V
C11	1-163-222-11	CERAMIC CHIP 5PF	0.25PF 50V	C50	1-163-033-91	CERAMIC CHIP 0.022uF	50V
C12	1-163-087-00	CERAMIC CHIP 4PF	50V	C51	1-128-551-11	ELECT 22uF	20% 25V
C13	1-163-087-00	CERAMIC CHIP 4PF	50V	C52	1-126-963-11	ELECT 4.7uF	20% 50V
C14	1-163-243-11	CERAMIC CHIP 47PF	5% 50V	C53	1-126-963-11	ELECT 4.7uF	20% 50V
C15	1-163-087-00	CERAMIC CHIP 4PF	50V	C54	1-126-964-11	ELECT 10uF	20% 50V
C16	1-163-113-00	CERAMIC CHIP 68PF	5% 50V	C55	1-163-034-00	CERAMIC CHIP 0.033uF	50V
C17	1-163-224-11	CERAMIC CHIP 7PF	0.25PF 50V	C56	1-124-902-00	ELECT 0.47uF	20% 50V
C18	1-163-101-00	CERAMIC CHIP 22PF	5% 50V	C57	1-124-464-11	ELECT 0.22uF	20% 50V
C19	1-163-088-00	CERAMIC CHIP 5PF	50V	C58	1-128-551-11	ELECT 22uF	20% 25V
C20	1-163-113-00	CERAMIC CHIP 68PF	5% 50V	C59	1-126-925-11	ELECT 470uF	20% 10V
C21	1-163-231-11	CERAMIC CHIP 15PF	5% 50V	C60	1-164-505-11	CERAMIC CHIP 2.2uF	16V
C22	1-163-113-00	CERAMIC CHIP 68PF	5% 50V	C61	1-164-346-11	CERAMIC CHIP 1uF	16V
C23	1-163-097-00	CERAMIC CHIP 15PF	5% 50V	C62	1-126-935-11	ELECT 470uF	20% 6.3V
C24	1-163-369-11	CERAMIC CHIP 47PF	5% 50V	C63	1-126-964-11	ELECT 10uF	20% 50V
C25	1-163-097-00	CERAMIC CHIP 15PF	5% 50V	C64	1-163-031-11	CERAMIC CHIP 0.01uF	50V
C26	1-163-105-00	CERAMIC CHIP 33PF	5% 50V	C65	1-163-031-11	CERAMIC CHIP 0.01uF	50V
C27	1-163-093-00	CERAMIC CHIP 10PF	5% 50V	C66	1-126-963-11	ELECT 4.7uF	20% 50V
C28	1-163-101-00	CERAMIC CHIP 22PF	5% 50V	C67	1-163-035-00	CERAMIC CHIP 0.047uF	50V
C30	1-163-105-00	CERAMIC CHIP 33PF	5% 50V	C75	1-163-235-11	CERAMIC CHIP 22PF	5% 50V
C32	1-163-097-00	CERAMIC CHIP 15PF	5% 50V	C76	1-163-085-00	CERAMIC CHIP 2PF	50V
C33	1-163-091-00	CERAMIC CHIP 8PF	50V	C77	1-163-235-11	CERAMIC CHIP 22PF	5% 50V
C34	1-163-101-00	CERAMIC CHIP 22PF	5% 50V				(EXCEPT EE)
				C77	1-163-091-00	CERAMIC CHIP 8PF	50V (EE)
				C78	1-163-087-00	CERAMIC CHIP 4PF	50V
							(EXCEPT EE)
				C79	1-163-095-00	CERAMIC CHIP 12PF	5% 50V (EE)

Ref. No.	Part No.	Description	Remark	Ref. No.	Part No.	Description	Remark
C79	1-163-101-00	CERAMIC CHIP 22PF 5% 50V (US,Canadian,AEP,UK,C&SA,SP)		L14	1-408-404-00	INDUCTOR 3.9uH	
C79	1-163-105-00	CERAMIC CHIP 33PF 5% 50V (EA,IT)		L15	1-408-407-00	INDUCTOR 6.8uH	
C80	1-163-097-00	CERAMIC CHIP 15PF 5% 50V (EXCEPT EE,EA,IT)		L16	1-408-409-00	INDUCTOR 10uH	
C81	1-163-251-11	CERAMIC CHIP 100PF 5% 50V		L17	1-408-411-00	INDUCTOR 15uH	
C82	1-163-085-00	CERAMIC CHIP 2PF 50V		L18	1-408-414-00	INDUCTOR 27uH	
C84	1-163-089-00	CERAMIC CHIP 6PF 50V		L19	1-409-895-11	COIL (OSC)	
C88	1-163-089-00	CERAMIC CHIP 6PF 50V		L20	1-409-515-11	COIL (OSC)	
C89	1-163-089-00	CERAMIC CHIP 6PF 50V		L21	1-409-514-11	COIL (OSC)	
C95	1-163-031-11	CERAMIC CHIP 0.01uF 50V		L22	1-409-513-11	COIL (OSC)	
		< FILTER >		L23	1-409-512-11	COIL (OSC)	
CF1	1-577-317-11	FILTER, CERAMIC		L24	1-409-511-11	COIL (OSC)	
CF2	1-760-144-61	FILTER, CERAMIC		L25	1-409-510-11	COIL (OSC)	
CF3	1-760-144-61	FILTER, CERAMIC		L26	1-409-509-11	COIL (OSC)	
		< TRIMMER >		L27	1-409-508-11	COIL (OSC)	
CT2	1-141-442-91	TRIMMER, CERAMIC		L28	1-410-993-11	INDUCTOR CHIP 1uH	
CT3	1-141-442-91	TRIMMER, CERAMIC				< TRANSISTOR >	
		< VARIABLE CAPACITOR >		Q1	8-729-920-74	TRANSISTOR 2SC2412K-QR	
CT1	1-151-631-11	CAP, VARIABLE (EXCEPT EE)		Q2	8-729-920-74	TRANSISTOR 2SC2412K-QR	
CT1	1-151-633-11	CAP, VARIABLE (EE)		Q3	8-729-920-74	TRANSISTOR 2SC2412K-QR	
CV1	1-151-631-11	CAP, VARIABLE (EXCEPT EE)				< RESISTOR >	
CV1	1-151-633-11	CAP, VARIABLE (EE)		R1	1-216-065-00	METAL CHIP 4.7K 5% 1/10W	
		< DIODE >		R2	1-216-061-00	METAL CHIP 3.3K 5% 1/10W	
D3	8-719-921-22	DIODE 1SS277		R4	1-216-033-00	METAL CHIP 220 5% 1/10W	
D4	8-719-042-69	LED LN21RPL (TUNE)		R5	1-216-093-00	METAL CHIP 68K 5% 1/10W	
		< IC >		R6	1-216-057-00	METAL CHIP 2.2K 5% 1/10W	
IC1	8-752-055-05	IC CXA1019S		R7	1-216-045-00	METAL CHIP 680 5% 1/10W	
		< COIL >		R8	1-216-117-00	METAL CHIP 680K 5% 1/10W	
L1	1-402-529-11	ANTENNA, FERRITE-ROD (LW/MW)		R9	1-216-033-00	METAL CHIP 220 5% 1/10W	
L2	1-406-028-00	COIL, OSC (MW)		R10	1-216-033-00	METAL CHIP 220 5% 1/10W	
L3	1-406-028-00	COIL, OSC (MW)		R11	1-216-097-91	METAL GLAZE 100K 5% 1/10W	
* L4	1-422-362-11	COIL, AIR-CORE (EE)		R12	1-216-105-91	METAL GLAZE 220K 5% 1/10W	
* L4	1-428-230-11	COIL, AIR-CORE (EXCEPT EE)		R13	1-216-089-91	METAL GLAZE 47K 5% 1/10W	
* L5	1-402-654-11	COIL, AIR-CORE (EE)		R14	1-216-057-00	METAL CHIP 2.2K 5% 1/10W	
L5	1-411-858-11	COIL, AIR-CORE (US,Canadian,AEP,UK,C&SA,SP)		R15	1-216-049-91	METAL GLAZE 1K 5% 1/10W	
L5	1-460-135-11	COIL (WITH CORE) (RF) (EA,IT)		R16	1-216-057-00	METAL CHIP 2.2K 5% 1/10W	
L6	1-414-142-61	INDUCTOR 1uH		R17	1-216-057-00	METAL CHIP 2.2K 5% 1/10W	
L7	1-414-142-61	INDUCTOR 1uH		R18	1-216-049-91	METAL GLAZE 1K 5% 1/10W	
L8	1-428-769-11	COIL, AIR-CORE		R19	1-216-057-00	METAL CHIP 2.2K 5% 1/10W	
L9	1-408-947-00	INDUCTOR 2.2mH		R21	1-216-069-00	METAL CHIP 6.8K 5% 1/10W	
L10	1-408-397-00	INDUCTOR 1uH		R36	1-216-065-00	METAL CHIP 4.7K 5% 1/10W	
L11	1-408-594-21	INDUCTOR 1.8uH		R37	1-216-065-00	METAL CHIP 4.7K 5% 1/10W	
L12	1-408-401-00	INDUCTOR 2.2uH		R38	1-216-065-00	METAL CHIP 4.7K 5% 1/10W	
L13	1-408-403-00	INDUCTOR 3.3uH				< VARIABLE RESISTOR >	
				RV1	1-241-362-11	RES, VAR, CARBON 50K (VOL)	
				RV2	1-241-361-11	RES, VAR, CARBON 10K (TONE)	
						< SWITCH >	
				S1	1-692-846-11	SWITCH, SLIDE (BAND / FM→MW→SW)	

MAIN POWER

Ref. No.	Part No.	Description	Remark
< TRANSFORMER >			
T2	1-416-021-11	COIL (AM IFT)	

*	1-659-996-11	POWER BOARD	

< CAPACITOR >			
C70	1-126-933-11	ELECT	100uF 20% 16V
C72	1-126-926-11	ELECT	1000uF 20% 10V
C73	1-163-031-11	CERAMIC CHIP	0.01uF 50V
C74	1-163-031-11	CERAMIC CHIP	0.01uF 50V
< DIODE >			
D1	8-719-800-76	DIODE 1SS226	
D5	8-719-031-85	DIODE 1N4002L	
D6	8-719-031-85	DIODE 1N4002L	
< JACK >			
△J1	1-526-818-11	INLET, AC (AC IN~) (C&SA)	
△J1	1-526-838-11	INLET, AC 2P (AC IN~)(AEP,EE,UK,EA,IT,SP)	
△J1	1-540-009-11	INLET, AC (AC IN~) (US,Canadian)	
J2	1-563-836-21	JACK (◎)	
< TRANSISTOR >			
Q4	8-729-111-55	TRANSISTOR 2SD1312-K	
< RESISTOR >			
R22	1-216-037-00	METAL CHIP	330 5% 1/10W
R23	1-216-017-91	METAL GLAZE	47 5% 1/10W
< SWITCH >			
S2	1-571-042-11	SWITCH, PUSH (1 KEY) (POWER)	
< TRANSFORMER >			
△T1	1-450-323-11	TRANSFORMER, POWER (US,Canadian,C&SA)	
△T1	1-450-324-11	TRANSFORMER, POWER (AEP,EE,UK,EA,IT,SP)	

MISCELLANEOUS			

ANT1	1-501-362-11	ANTENNA, TELESCOPIC	
D4	8-719-042-69	LED LN21RPL (TUNE)	
SP1	1-544-406-11	SPEAKER	

Ref. No.	Part No.	Description	Remark
ACCESSORIES & PACKING MATERIALS			

△	1-557-287-11	CORD, POWER (C&SA)	
△	1-690-952-21	CORD, POWER (US,Canadian)	
△	1-696-562-11	CORD, POWER (AEP,EE,EA,IT,SP)	
△	1-751-115-11	CORD, POWER (UK)	
	3-810-422-11	MANUAL, INSTRUCTION (ENGLISH/FRENCH/GERMAN/SPANISH/DUTCH/ SWEDISH/ITALIAN/PORTUGUESE)(US,AEP,UK,IT)	
	3-810-422-21	MANUAL, INSTRUCTION (ENGLISH/FRENCH/SPANISH/ARABIC/CHINESE) (Canadian,C&SA,EA,SP)	
	3-810-422-31	MANUAL, INSTRUCTION (ENGLISH/GERMAN/ RUSSIAN/HUNGARIAN/BULGARIAN) (EE)	
*	3-912-863-22	SHORT WAVE GUIDE	
*	3-932-071-01	INDIVIDUAL CARTON	

HARDWARE LIST

#1	7-685-647-79	SCREW +P 3X10 TYPE2 NON-SLIT
#2	7-685-651-79	SCREW +BTP 3X20 TYPE2 N-S

The components identified by mark △ or dotted line with mark △ are critical for safety. Replace only with part number specified.	Les composants identifiés par une marque △ sont critiques pour la sécurité. Ne les remplacer que par une pièce portant le numéro spécifié.
---	---