

ICF-SW15

SERVICE MANUAL

*US Model
Canadian Model
AEP Model
UK Model
E Model
Australian Model
Tourist Model*



SPECIFICATIONS

Frequency range	FM: 76–108 MHz (US, Canadian, E, Australian, Tourist models) 87.6–107.5 MHz (AEP, UK, Italian, Saudi Arabia models)
	IF: 10.7 MHz
	SW1: 5.775–6.425 MHz
	SW2: 6.875–7.525 MHz
	SW3: 9.375–10.025 MHz
	SW4: 11.615–12.265 MHz
	SW5: 15.00–15.65 MHz
	SW6: 17.50–18.15 MHz
	SW7: 21.325–21.975 MHz
	1st IF: 10.7 MHz
	2nd IF: 455 kHz
	MW: 530–1,710 kHz (US, Canadian, E, Australian, Tourist models) 531–1,602 kHz (AEP, UK, Italian, Saudi Arabia models)
	IF: 455 kHz
Antenna	FM/SW: Telescopic antenna MW: Built-in ferrite bar antenna
Speaker	Approx. 6.6 cm (2½ inches) dia. 4Ω
Power output	260 mW (at 10% harmonic distortion)
Output	Earphone jack (minijack)
Power requirements	4.5 V DC, three R6 (size AA) batteries DC IN 4.5 V jack accepts: AC power adaptor AC-E45M (not supplied) Car battery cord DCC-E145L (not supplied)
Battery life	Approx. 27 hours with Sony SUM-3 (NS)
Dimensions	Approx. 165 × 99 × 35 mm (w/h/d) (6½ × 4 × 1¼ inches)
Weight	Approx. 380 g (13.4 oz) incl. batteries
Supplied accessories	Carrying case (1), Short wave guide (1)

Accessories not supplied AC power adaptor *AC-E45M
Car battery cord DCC-E145L
LW/MW/SW wide range antenna AN-1
Earphone ME-81

* The voltage of power supply is different depending on the country. Please buy an AC power adaptor in the country where the radio is to be used.

Design and specifications subject to change without notice.



Features

- FM/MW/SW1-7 9 band receiver with high sensitivity and selectivity.
- Band spread system enables you to easily tune in SW stations.
- Dual conversion circuit effectively reduces SW bands interference from other SW stations.

NOTE: ALL CORRECTIONS AND SUPPLEMENTS ARE ATTACHED TO THE BACK OF THE MANUAL.

Notes

- When the AC power adaptor is not used, be sure to unplug it both from the DC IN 4.5 V jack and from a wall outlet.
- Use only the AC power adaptor AC-E45M (not supplied). Do not use any other AC power adaptor.



Polarity of the plug

**FM/MW/SW1-7
9 BAND RECEIVER**

SONY®

ICF-SW15

SERVICE MANUAL

*US Model
Canadian Model
AEP Model
UK Model
E Model
Australian Model
Tourist Model*



SPECIFICATIONS

Frequency range	SW	3.5 - 18.75 MHz (USA, Canada, E. Australia, Tourist Model) 3.5 - 18.75 MHz (UK, JPN, France, West Africa Model)
	FM	87.5 - 108 MHz
	AM (USA)	530 - 1700 kHz
	AM (UK)	1500 - 1700 kHz
	AM (AEP)	530 - 1700 kHz
	AM (E)	1500 - 1700 kHz
	AM (AU)	530 - 1700 kHz
	AM (T)	530 - 1700 kHz
	SW	3.5 - 18.75 MHz (USA, Canada, E. Australia, Tourist Model) 3.5 - 18.75 MHz (UK, JPN, France, West Africa Model)
	FM	87.5 - 108 MHz
Antenna	External: Telescopic antenna Internal: Loop and ceramic	
Speaker	Dynamic 8 Ohm (2W output/100 Hz)	
Power output	100 mW (at 100% modulation efficiency)	
Output	Variable gain pre-amplifier	
Other requirements	AA (1.5V) (USA, UK, JPN, AU, E, T) 3C (1.5V) (UK, JPN, AU, E, T) AC power adapter (AEP, UK, JPN, AU, E, T) Car battery (USA, UK, JPN, AU, E, T) Car battery (USA, UK, JPN, AU, E, T)	
Battery life	Approx. 20 hours (all keys to lock)	
Dimensions	100mm (W) x 100mm (H) x 30mm (D)	
Weight	Approx. 100g (incl. antenna, battery)	
Optional accessories	Carrying case (T), Head set (USA, JPN)	
Accessories not supplied (at present stages) (USA, JPN, AU, E, T)	Car battery (USA, UK, JPN, AU, E, T) AC power adapter (AEP, UK, JPN, AU, E, T) Carrying case (T), Head set (USA, JPN)	

Features

- Earphone/earbud connection with high sensitivity and selectivity.
- Head set/earset system enables you to easily listen in the station.
- Dual conversion circuit effectively reduces the noise interference from other FM stations.

NOTE: ALL CORRECTIONS AND SUPPLEMENTS ARE ATTACHED TO THE BACK OF THE MANUAL.

NOTE

- When the AC power adapter is not used, be sure to check that the car battery is not overcharged.
- Always be sure to use proper earphone/earset connection, to get the best FM stereo effect.



**FM/MW/SW-17
9 BAND RECEIVER**

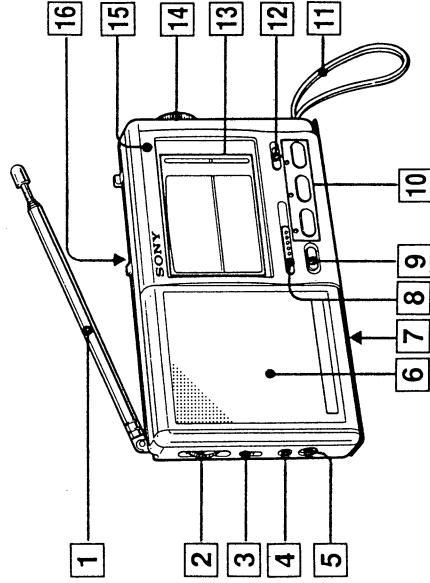
SONY



*The ratings of power supply is different depending on the country. Please refer to the AC power adapter to be exactly when the radio is to be used.

Design and specifications subject to change without notice.

Parts Identification

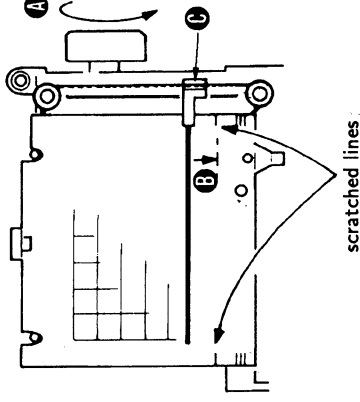
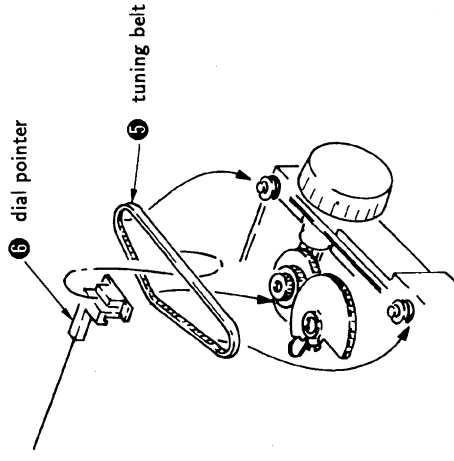
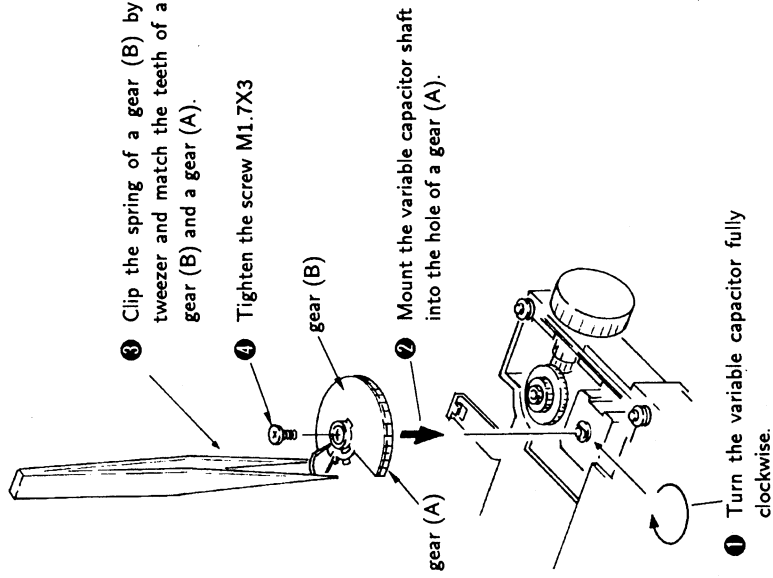


- 1 Telescopic antenna
- 2 VOLUME control
- 3 TONE (MUSIC/NEWS) selector
MUSIC: for listening to the music
NEWS: for listening to news, etc.
- 4 Ⓞ (earphone) jack
- 5 DC IN 4.5 V (external power input) jack
- 6 Speaker
- 7 Battery compartment (bottom)
- 8 SW BAND SELECTOR
- 9 OFF (power off) button
- 10 POWER ON/BAND FIMM/SW buttons and indicators
When you press one of the buttons, the unit is turned on and the indicator lights up.
- 11 Hand strap
- 12 HOLD switch
Slide it in the direction of the arrow (HOLD):
When listening, to avoid accidental change of the functions.
When not using, to prevent accidental pressing to turn the power on.
- 13 Dial scales
- 14 TUNING control
- 15 TUNE (tuning) indicator
The indicator lights up when a signal is received.
- 16 Stand (rear)

B How to use the stand

SECTION 1 DIAL POINTER SETTING

Note: Follow the assembly procedure in the numerical order given.



- 7 First, turn the tuning shaft fully in the arrow A direction. Move only the dial pointer in the arrow B direction and set it on the scratched lines on the dial scale plate. Apply suitable locking compound to 6 portion.

Parts Identification

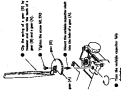


- 1. Dial pointer
- 2. Dial pointer nut
- 3. Dial pointer washer
- 4. Dial pointer spring
- 5. Dial pointer spring cap
- 6. Dial pointer spring cap nut
- 7. Dial pointer spring cap washer
- 8. Dial pointer spring cap lock
- 9. Dial pointer spring cap lock nut
- 10. Dial pointer spring cap lock washer

© 2008 by the manufacturer

SECTION 1 DIAL POINTER SETTING

Step 1 Follow the assembly procedure in the assembled probe glass.



- 1. Clip the spring of a pen (2) in between and push the back of a pen (3) and a pen (4).
- 2. Tighten the screw (1) (2).
- 3. Remove the spring cap washer from the back of a pen (4).

4. Turn the variable capacitor fully clockwise.



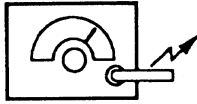
- 5. First, turn the tuning knob fully in the counter-clockwise direction. Then only the dial pointer in the counter-clockwise direction and set it on the marked line of the dial scale plate. Fully clockwise turning improved to 0 percent.

SECTION 2 ELECTRICAL ADJUSTMENTS

[MW SECTION]

BAND switch : MW

AM rf signal generator



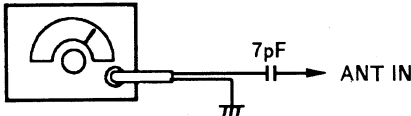
put the lead-wire antenna close to the set

30% amplitude modulation by 400Hz signal
Output level : as low as possible

[SW SECTION]

BAND switch : SW

AM rf signal generator

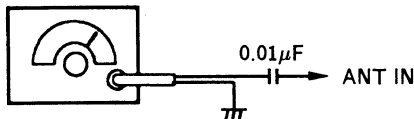


30% amplitude modulation by 400Hz signal
Output level : as low as possible

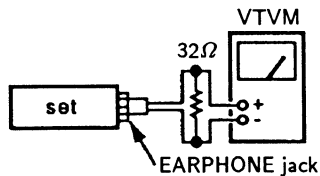
[FM SECTION]

BAND switch : FM

FM rf signal generator



400Hz, 30% FM modulation frequency deviation ± 22.5 kHz
Output level : as low as possible



- Repeat the procedures in each adjustment several times, and the frequency coverage and tracking adjustments should be finally done by the trimmer capacitors.
- SW1 to 7 Tracking Adjustment frequencies are in a line on the scale.
Therefore, on adjusting, first SW1 6.1 MHz and after adjust SW2 to 7 Tracking without moving the dial pointer.

() : AEP, UK, Germany, Italian, Saudi Arabian model

MW IF ADJUSTMENT	
Adjust for a maximum reading on VTVM.	
T3	455 kHz

MW FREQUENCY COVERAGE ADJUSTMENT	
Adjust for a maximum reading on VTVM.	
L15	520 kHz
CT2-3	1750 kHz (1650 kHz)

MW TRACKING ADJUSTMENT	
Adjust for a maximum reading on VTVM.	
L12	620 kHz
CT2-4	1400 kHz

SW IF (1) ADJUSTMENT	
Adjust for a maximum reading on VTVM.	
T1	10.6 MHz

SW IF (2) ADJUSTMENT	
Adjust for a maximum reading on VTVM.	
T2	455 kHz

SW1 FREQUENCY COVERAGE ADJUSTMENT	
Adjust for a maximum reading on VTVM.	
T4	5.75 MHz
CT1	6.45 MHz

SW1 TRACKING ADJUSTMENT	
Adjust for a maximum reading on VTVM.	
L1	6.1 MHz

SW2 TRACKING ADJUSTMENT	
Adjust for a maximum reading on VTVM.	
L2	7.2 MHz

SW3 TRACKING ADJUSTMENT	
Adjust for a maximum reading on VTVM.	
L3	9.7 MHz

SW4 TRACKING ADJUSTMENT	
Adjust for a maximum reading on VTVM.	
L4	11.94 MHz

SECTION 2 ELECTRICAL ADJUSTMENTS

[MW SECTION]

BASED vehicle - MW

Add 4 signal
ground(s)



per the lead wire
reference value for
MW

MW amplifier
connected to battery signal
Output lead 1 on line or ground

[SW SECTION]

BASED vehicle - SW

Add 4 signal
ground(s)



SW amplifier
connected to
battery signal
Output lead 1 on line or ground

[FM SECTION]

BASED vehicle - FM

Use 4 signal
ground(s)



SW, MW, FM amplifier
Receive System 2.0 MHz
Output lead 1 on line or ground



Follow the procedure for each adjustment several times,
and the frequency coverage and tracking adjustments
should be readily done by the listener operator.

FMW to F Tracking Adjustment frequency set to a line
on the scale.

Therefore, on adjusting, first FMW 6.1 MHz and also
adjust FMW to F Tracking without moving the dial
pointer.

() : AMF, UK, Germany, Italia, South African model

MW F ADJUSTMENT

Adjust for a maximum reading on VTYM.

T3	600 kHz
----	---------

MW FREQUENCY COVERAGE ADJUSTMENT

Adjust for a maximum reading on VTYM.

L21	500 kHz
C21A	1700 kHz (200-2000)

MW TRACKING ADJUSTMENT

Adjust for a maximum reading on VTYM.

L41	500 kHz
C21B	1400 kHz

SW F ADJUSTMENT

Adjust for a maximum reading on VTYM.

T3	600 kHz
----	---------

SW F (2) ADJUSTMENT

Adjust for a maximum reading on VTYM.

T3	600 kHz
----	---------

SW FREQUENCY COVERAGE ADJUSTMENT

Adjust for a maximum reading on VTYM.

T4	5.75 MHz
C21	6.4 MHz

SW TRACKING ADJUSTMENT

Adjust for a maximum reading on VTYM.

L1	6.1 MHz
----	---------

SW TRACKING ADJUSTMENT

Adjust for a maximum reading on VTYM.

L2	7.2 MHz
----	---------

SW TRACKING ADJUSTMENT

Adjust for a maximum reading on VTYM.

L2	8.7 MHz
----	---------

SW TRACKING ADJUSTMENT

Adjust for a maximum reading on VTYM.

L4	10.0 MHz
----	----------

SW5 TRACKING ADJUSTMENT	
Adjust for a maximum reading on VTVM.	
L5	15.325 MHz

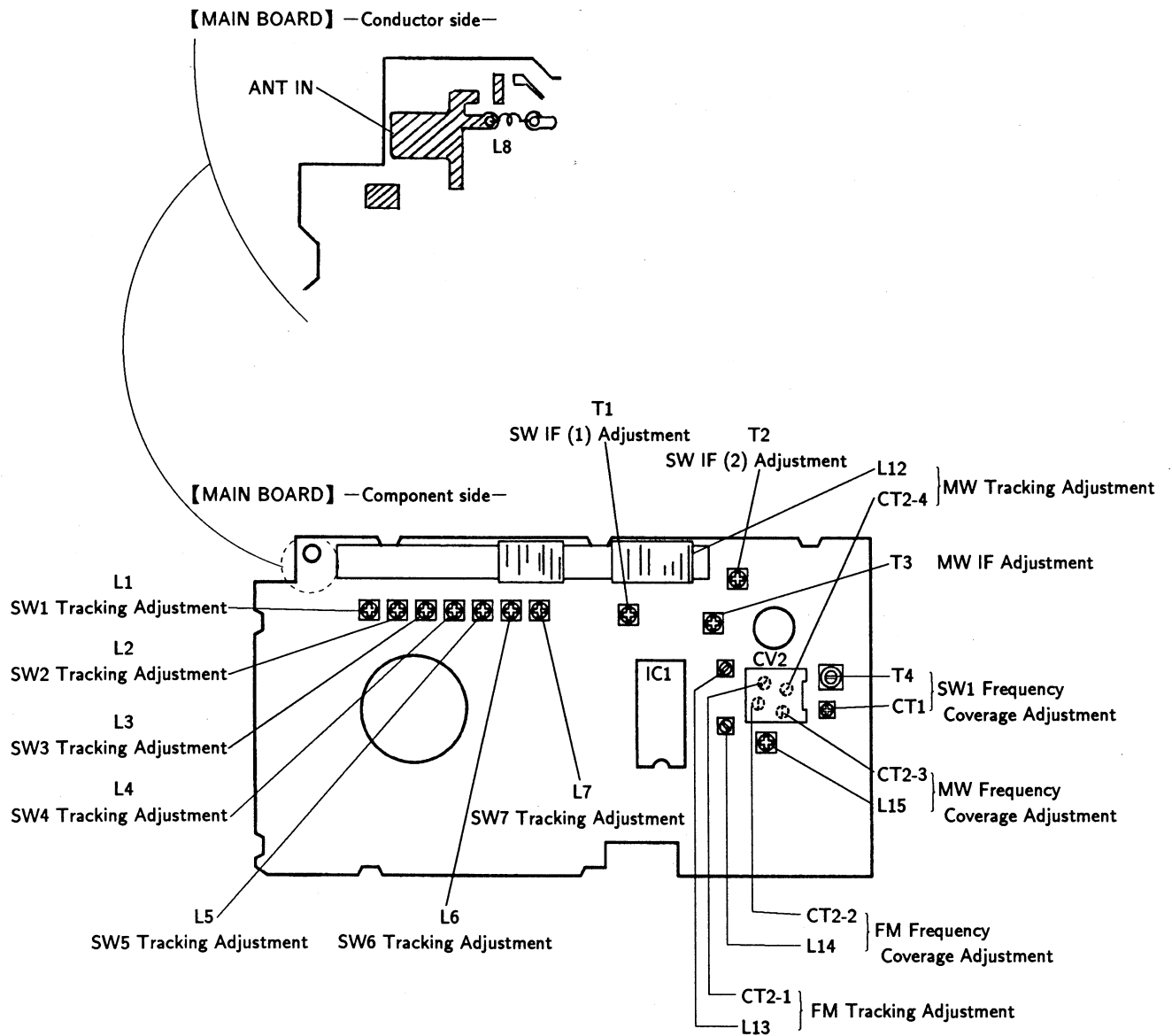
SW6 TRACKING ADJUSTMENT	
Adjust for a maximum reading on VTVM.	
L6	17.825 MHz

SW7 TRACKING ADJUSTMENT	
Adjust for a maximum reading on VTVM.	
L7	21.65 MHz

FM FREQUENCY COVERAGE ADJUSTMENT	
Adjust for a maximum reading on VTVM.	
L14	75.0 MHz (87.35 MHz)
CT2-2	109.5 MHz (108.05 MHz)

FM TRACKING ADJUSTMENT	
Adjust for a maximum reading on VTVM.	
L13	80 MHz (87.35 MHz)
CT2-1	104 MHz (108.05 MHz)

ADJUSTMENT LOCATION



SWR TRACKING ADJUSTMENT	
Adjust for a maximum reading on Y179M	
L4	1.50K MHz

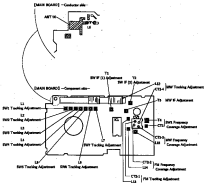
SWR TRACKING ADJUSTMENT	
Adjust for a maximum reading on Y179M	
L5	17.000 MHz

SWR TRACKING ADJUSTMENT	
Adjust for a maximum reading on Y179M	
L7	21.00 MHz

FM FREQUENCY COVERAGE ADJUSTMENT	
Adjust for a maximum reading on Y179M	
L24	74.0 MHz (73.00 MHz)
CT5-2	89.0 MHz (88.00 MHz)

FM TRACKING ADJUSTMENT	
Adjust for a maximum reading on Y179M	
L18	90 MHz (89.00 MHz)
CT5-1	94 MHz (93.00 MHz)

ADJUSTMENT LOCATION



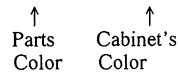
SECTION 4 EXPLODED VIEW

NOTE:

- -XX,-X mean standardized parts, so they may have some difference from the original one.
- Color indication of Appearance Parts.

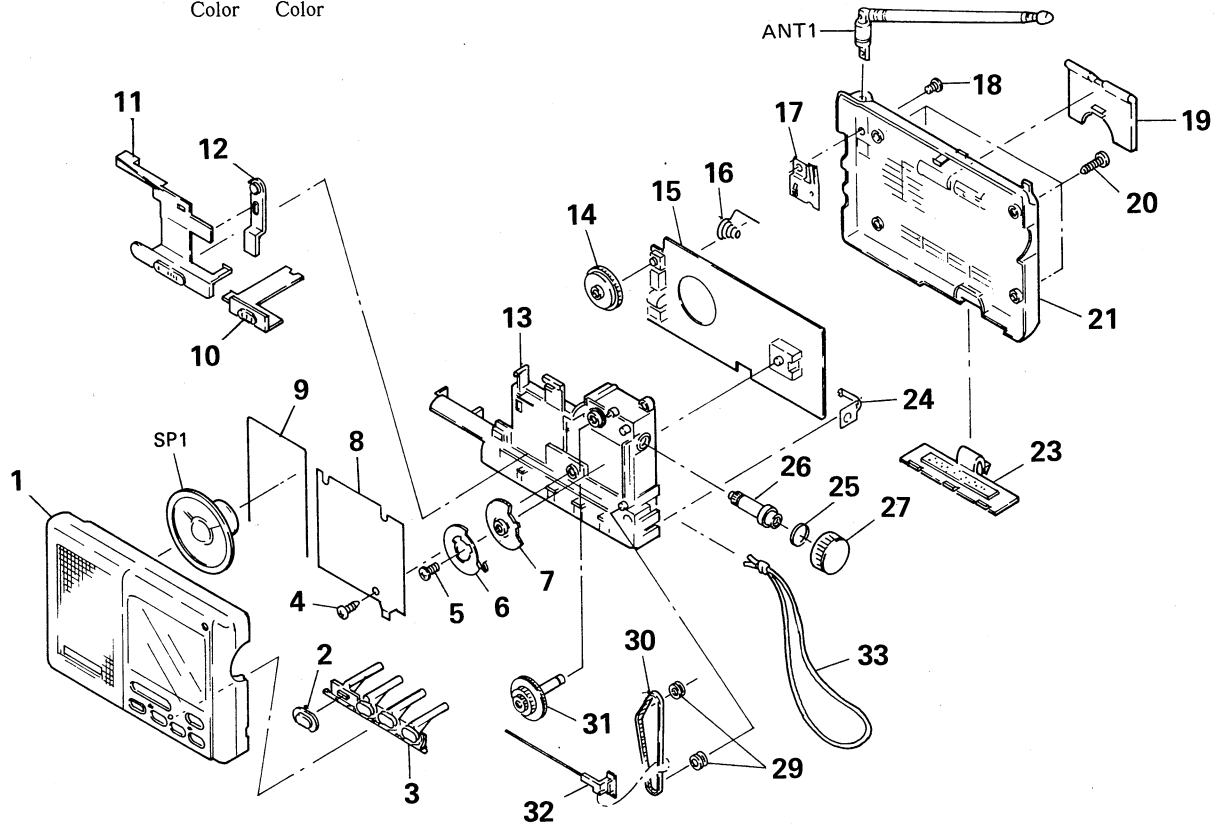
Example:

KNOB,BALANCE (WHITE) ... (RED)



- Items marked "*" are not stocked since they are seldom required for routine service. Some delay should be anticipated when ordering these items.

- The mechanical parts with no reference number in the exploded views are not supplied.
- Hardware (# mark) list is given in the last of this parts list.

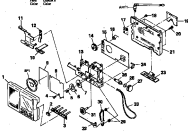


Ref. No.	Part No.	Description	Remark	Ref. No.	Part No.	Description	Remark
1	X-3365-618-1	CABINET (FRONT) ASSY (US, Canadian, E, TOURIST, Australian)		16	3-382-322-01	TERMINAL (MINUS), BATTERY	
1	X-3365-619-1	CABINET (FRONT) ASSY (AEP, Germany, UK, Italian, Saudi Arabia)		17	3-382-005-01	PLATE, CONTACT, ANTENNA	
2	3-380-912-01	BUTTON (OFF)		18	7-627-556-37	SCREW, PRECISION +P2. 6X4 TYPE 1	
3	3-380-923-01	BAND, BUTTON		19	3-380-918-01	STAND	
4	7-685-131-19	SCREW +P 2. 6X4 TYPE2 NON-SLIT		20	7-685-138-19	SCREW +P 2. 6X16 TYPE2 NON-SLIT	
5	3-880-990-00	SCREW (1. 7X3), FLAT, (+) SPECIAL		21	3-380-925-01	CABINET (REAR)	
6	3-382-003-01	GEAR (B), TUNING CAPACITOR		23	3-380-922-01	LID, BATTERY CASE	
7	3-380-914-01	GEAR (A), TUNING CAPACITOR		24	3-382-006-01	TERMINAL, BATTERY	
8	3-380-915-01	SCALE, DIAL		25	3-900-151-01	SPRING, RING	
9	3-382-325-01	SPRING (SP)		26	3-380-908-01	SHAFT (TUN)	
10	3-380-917-01	KNOB (HOLD)		27	3-380-909-01	KNOB (TUN)	
11	3-380-921-01	KNOB (SW)		29	3-900-157-01	PULLEY	
12	3-380-911-01	INDICATOR		30	3-382-324-01	BELT (TUN)	
* 13	3-380-926-01	CHASSIS		31	3-380-910-01	GEAR, MIDWAY	
14	3-380-913-01	KNOB (VOL)		32	3-380-916-01	POINTER	
* 15	A-3679-409-A	MAIN BOARD, COMPLETE) (AEP, Germany, UK, Italian, Saudi Arabia)		33	3-383-019-01	STRAP, HAND	
* 15	A-3679-410-A	MAIN BOARD, COMPLETE (US, Canadian, E, TOURIST, Australian)		ANT1	1-501-543-11	ANTENNA, TELESCOPIC	
				SP1	1-544-758-11	SPEAKER (6. 6CM)	

SECTION 4 EXPLODED VIEW

NOTES:

- ICF-8W18 uses standard parts, so they may have some differences from the original unit.
- Color indication of Approximate Parts Groupings:
 (ORIGINAL PARTS INDICATED IN GREY)
 Grey: Original Color
 White: Imitation Color
- Some parts (1, 2, 3) are not standard sizes. They are custom required for proper service. Some may be made by authorized manufacturing firms.
- The standard parts with no reference number in the exploded status are not supplied.
- Dimensions of standard parts given in the list of this parts list.



Part No.	Part No.	Description	Notes
1	0-000-000-1	CASEKIT (WOOD) (KIT) (S&S, Canadian, I, TORONTO, International)	
1	0-000-000-1	CASEKIT (WOOD) (KIT) (KIT Assembly, S&S, I, Toronto, International)	
2	1-000-000-01	WHEEL (KIT)	
3	1-000-000-01	WALL (KIT)	
4	1-000-000-01	WHEEL (KIT) (KIT) (KIT) (KIT) (KIT)	
5	1-000-000-01	WHEEL (KIT) (KIT) (KIT) (KIT) (KIT)	
6	1-000-000-01	WHEEL (KIT) (KIT) (KIT) (KIT) (KIT)	
7	1-000-000-01	WHEEL (KIT) (KIT) (KIT) (KIT) (KIT)	
8	1-000-000-01	WHEEL (KIT) (KIT) (KIT) (KIT) (KIT)	
9	1-000-000-01	WHEEL (KIT) (KIT) (KIT) (KIT) (KIT)	
10	1-000-000-01	WHEEL (KIT) (KIT) (KIT) (KIT) (KIT)	
11	1-000-000-01	WHEEL (KIT) (KIT) (KIT) (KIT) (KIT)	
12	1-000-000-01	WHEEL (KIT) (KIT) (KIT) (KIT) (KIT)	
13	1-000-000-01	WHEEL (KIT) (KIT) (KIT) (KIT) (KIT)	
14	1-000-000-01	WHEEL (KIT) (KIT) (KIT) (KIT) (KIT)	
15	1-000-000-01	WHEEL (KIT) (KIT) (KIT) (KIT) (KIT)	
16	1-000-000-01	WHEEL (KIT) (KIT) (KIT) (KIT) (KIT)	
17	1-000-000-01	WHEEL (KIT) (KIT) (KIT) (KIT) (KIT)	
18	1-000-000-01	WHEEL (KIT) (KIT) (KIT) (KIT) (KIT)	
19	1-000-000-01	WHEEL (KIT) (KIT) (KIT) (KIT) (KIT)	
20	1-000-000-01	WHEEL (KIT) (KIT) (KIT) (KIT) (KIT)	
21	1-000-000-01	WHEEL (KIT) (KIT) (KIT) (KIT) (KIT)	
22	1-000-000-01	WHEEL (KIT) (KIT) (KIT) (KIT) (KIT)	
23	1-000-000-01	WHEEL (KIT) (KIT) (KIT) (KIT) (KIT)	
24	1-000-000-01	WHEEL (KIT) (KIT) (KIT) (KIT) (KIT)	
25	1-000-000-01	WHEEL (KIT) (KIT) (KIT) (KIT) (KIT)	
26	1-000-000-01	WHEEL (KIT) (KIT) (KIT) (KIT) (KIT)	
27	1-000-000-01	WHEEL (KIT) (KIT) (KIT) (KIT) (KIT)	
28	1-000-000-01	WHEEL (KIT) (KIT) (KIT) (KIT) (KIT)	
29	1-000-000-01	WHEEL (KIT) (KIT) (KIT) (KIT) (KIT)	
30	1-000-000-01	WHEEL (KIT) (KIT) (KIT) (KIT) (KIT)	
31	1-000-000-01	WHEEL (KIT) (KIT) (KIT) (KIT) (KIT)	
32	1-000-000-01	WHEEL (KIT) (KIT) (KIT) (KIT) (KIT)	
33	1-000-000-01	WHEEL (KIT) (KIT) (KIT) (KIT) (KIT)	
34	1-000-000-01	WHEEL (KIT) (KIT) (KIT) (KIT) (KIT)	
35	1-000-000-01	WHEEL (KIT) (KIT) (KIT) (KIT) (KIT)	
36	1-000-000-01	WHEEL (KIT) (KIT) (KIT) (KIT) (KIT)	
37	1-000-000-01	WHEEL (KIT) (KIT) (KIT) (KIT) (KIT)	

Part No.	Part No.	Description	Notes
31	1-000-000-01	WHEEL (KIT) (KIT) (KIT) (KIT) (KIT)	
32	1-000-000-01	WHEEL (KIT) (KIT) (KIT) (KIT) (KIT)	
33	1-000-000-01	WHEEL (KIT) (KIT) (KIT) (KIT) (KIT)	
34	1-000-000-01	WHEEL (KIT) (KIT) (KIT) (KIT) (KIT)	
35	1-000-000-01	WHEEL (KIT) (KIT) (KIT) (KIT) (KIT)	
36	1-000-000-01	WHEEL (KIT) (KIT) (KIT) (KIT) (KIT)	
37	1-000-000-01	WHEEL (KIT) (KIT) (KIT) (KIT) (KIT)	
38	1-000-000-01	WHEEL (KIT) (KIT) (KIT) (KIT) (KIT)	
39	1-000-000-01	WHEEL (KIT) (KIT) (KIT) (KIT) (KIT)	
40	1-000-000-01	WHEEL (KIT) (KIT) (KIT) (KIT) (KIT)	
41	1-000-000-01	WHEEL (KIT) (KIT) (KIT) (KIT) (KIT)	
42	1-000-000-01	WHEEL (KIT) (KIT) (KIT) (KIT) (KIT)	
43	1-000-000-01	WHEEL (KIT) (KIT) (KIT) (KIT) (KIT)	
44	1-000-000-01	WHEEL (KIT) (KIT) (KIT) (KIT) (KIT)	
45	1-000-000-01	WHEEL (KIT) (KIT) (KIT) (KIT) (KIT)	
46	1-000-000-01	WHEEL (KIT) (KIT) (KIT) (KIT) (KIT)	
47	1-000-000-01	WHEEL (KIT) (KIT) (KIT) (KIT) (KIT)	
48	1-000-000-01	WHEEL (KIT) (KIT) (KIT) (KIT) (KIT)	
49	1-000-000-01	WHEEL (KIT) (KIT) (KIT) (KIT) (KIT)	
50	1-000-000-01	WHEEL (KIT) (KIT) (KIT) (KIT) (KIT)	
51	1-000-000-01	WHEEL (KIT) (KIT) (KIT) (KIT) (KIT)	
52	1-000-000-01	WHEEL (KIT) (KIT) (KIT) (KIT) (KIT)	
53	1-000-000-01	WHEEL (KIT) (KIT) (KIT) (KIT) (KIT)	
54	1-000-000-01	WHEEL (KIT) (KIT) (KIT) (KIT) (KIT)	
55	1-000-000-01	WHEEL (KIT) (KIT) (KIT) (KIT) (KIT)	
56	1-000-000-01	WHEEL (KIT) (KIT) (KIT) (KIT) (KIT)	
57	1-000-000-01	WHEEL (KIT) (KIT) (KIT) (KIT) (KIT)	

SECTION 5 ELECTRICAL PARTS LIST

NOTE:

- Due to standardization, replacements in the parts list may be different from the parts specified in the diagrams or the components used on the set.
- -XX and -X mean standardized parts, so they may have some difference from the original one.
- RESISTORS
All resistors are in ohms.
METAL: Metal-film resistor.
METAL OXIDE: Metal oxide-film resistor.
F: nonflammable

- Items marked "*" are not stocked since they are seldom required for routine service. Some delay should be anticipated when ordering these items.
- SEMICONDUCTORS
In each case, u: μ , for example:
uA ... μ A. uPA... μ PA.
uPB... μ PB.. uPC... μ PC.. uPD... μ PD..
- CAPACITORS
uF: μ F
- COILS
uH: μ H

When indicating parts by reference number, please include the board.

Ref. No.	Part No.	Description	Remark
*	A-3679-409-A	MAIN BOARD, COMPLETE (AEP, Germany, UK, Italian, Saudi Arabia)	
*	A-3679-410-A	MAIN BOARD, COMPLETE (US, Canadian, E, TOURIST, Australian)	

*	3-380-924-01	HOLDER < BAND PASS FILTER >	
BPF1	1-239-359-11	FILTER, BAND PASS (AEP, Germany, UK, Italian, Saudi Arabia)	
BPF1	1-239-360-11	FILTER, BAND PASS (US, Canadian, E, TOURIST, Australian)	
< CAPACITOR >			
C1	1-164-232-11	CERAMIC CHIP 0.01uF	50V
C2	1-164-232-11	CERAMIC CHIP 0.01uF	50V
C3	1-164-232-11	CERAMIC CHIP 0.01uF	50V
C5	1-163-009-11	CERAMIC CHIP 0.001uF	10% 50V
C6	1-163-095-00	CERAMIC CHIP 12PF	5% 50V
C7	1-126-154-11	ELECT 47uF	20% 6.3V
C8	1-164-232-11	CERAMIC CHIP 0.01uF	50V
C9	1-164-232-11	CERAMIC CHIP 0.01uF	50V
C10	1-164-232-11	CERAMIC CHIP 0.01uF	50V
C11	1-164-232-11	CERAMIC CHIP 0.01uF	50V
C13	1-164-232-11	CERAMIC CHIP 0.01uF	50V
C14	1-163-083-00	CERAMIC CHIP 1PF	50V
C15	1-163-100-00	CERAMIC CHIP 20PF (AEP, Germany, UK, Italian, Saudi Arabia)	5% 50V
C15	1-163-102-00	CERAMIC CHIP 24PF (US, Canadian, E, TOURIST, Australian)	5% 50V
C16	1-163-099-00	CERAMIC CHIP 18PF (US, Canadian, E, TOURIST, Australian)	5% 50V
C16	1-163-104-00	CERAMIC CHIP 30PF (AEP, Germany, UK, Italian, Saudi Arabia)	5% 50V

Ref. No.	Part No.	Description	Remark
C17	1-163-229-11	CERAMIC CHIP 12PF	5% 50V
C18	1-164-232-11	CERAMIC CHIP 0.01uF	50V
C19	1-164-004-11	CERAMIC CHIP 0.1uF	10% 25V
C20	1-164-004-11	CERAMIC CHIP 0.1uF	10% 25V
C21	1-126-163-11	ELECT 4.7uF	20% 50V
C23	1-164-232-11	CERAMIC CHIP 0.01uF	50V
C24	1-164-232-11	CERAMIC CHIP 0.01uF	50V
C25	1-126-163-11	ELECT 4.7uF	20% 50V
C26	1-126-163-11	ELECT 4.7uF	20% 50V
C27	1-126-096-11	ELECT 10uF	20% 35V
C28	1-163-037-11	CERAMIC CHIP 0.022uF	10% 25V
C29	1-124-234-00	ELECT 22uF	20% 16V
C30	1-124-472-11	ELECT 470uF	20% 10V
C31	1-164-004-11	CERAMIC CHIP 0.1uF	10% 25V
C32	1-164-346-11	CERAMIC CHIP 1uF	16V
C33	1-124-442-00	ELECT 330uF	20% 6.3V
C34	1-126-154-11	ELECT 47uF	20% 6.3V
C35	1-163-003-11	CERAMIC CHIP 330PF	10% 50V
C36	1-163-001-11	CERAMIC CHIP 220PF	10% 50V
C37	1-163-113-00	CERAMIC CHIP 68PF	5% 50V
C38	1-163-111-00	CERAMIC CHIP 56PF	5% 50V
C39	1-164-232-11	CERAMIC CHIP 0.01uF	50V
C40	1-163-809-11	CERAMIC CHIP 0.047uF	10% 25V
C41	1-163-111-00	CERAMIC CHIP 56PF	5% 50V
C42	1-163-377-11	CERAMIC CHIP 100PF	5% 50V
C43	1-163-251-11	CERAMIC CHIP 100PF	5% 50V
C44	1-163-251-11	CERAMIC CHIP 100PF	5% 50V
C45	1-126-096-11	ELECT 10uF	20% 35V
C49	1-126-154-11	ELECT 47uF	20% 6.3V
C50	1-126-163-11	ELECT 4.7uF	20% 50V
C52	1-164-232-11	CERAMIC CHIP 0.01uF	50V
C53	1-164-232-11	CERAMIC CHIP 0.01uF	50V
C54	1-164-232-11	CERAMIC CHIP 0.01uF	50V
C55	1-164-232-11	CERAMIC CHIP 0.01uF	50V
C56	1-164-232-11	CERAMIC CHIP 0.01uF	50V

MAIN

Ref. No.	Part No.	Description	Remark	Ref. No.	Part No.	Description	Remark
C57	1-164-232-11	CERAMIC CHIP 0.01uF	50V	D11	8-719-812-41	LED TLR124	
C58	1-162-638-11	CERAMIC CHIP 1uF	16V	D12	8-719-812-41	LED TLR124	
C59	1-164-004-11	CERAMIC CHIP 0.1uF	10% 25V	D13	8-719-812-41	LED TLR124	
C60	1-164-232-11	CERAMIC CHIP 0.01uF	50V	D14	8-719-812-41	LED TLR124	
C61	1-124-234-00	ELECT 22uF	20% 16V	D15	8-719-800-76	DIODE 1SS226	
C62	1-164-232-11	CERAMIC CHIP 0.01uF	50V	< IC >			
C63	1-126-154-11	ELECT 47uF	20% 6.3V	IC1	8-752-035-29	IC CXA1019S	
C64	1-164-232-11	CERAMIC CHIP 0.01uF	50V	IC2	8-759-979-91	IC CF77392NS	
C65	1-163-090-00	CERAMIC CHIP 7PF	50V	IC3	8-759-937-61	IC S-81230AG	
C66	1-162-638-11	CERAMIC CHIP 1uF	16V	< JACK >			
C67	1-163-020-00	CERAMIC CHIP 0.0082uF	10% 50V	J1	1-563-836-21	JACK (EARPHONE)	
C68	1-163-023-00	CERAMIC CHIP 0.015uF	5% 50V	J2	1-580-681-21	JACK, DC (POLARITY UNIFIED TYPE)	
C69	1-163-022-00	CERAMIC CHIP 0.012uF	10% 50V	< COIL >			
C70	1-163-016-00	CERAMIC CHIP 0.0039uF	10% 50V	L1	1-402-334-11	COIL (ANT)	
C71	1-163-010-11	CERAMIC CHIP 0.0012uF	10% 50V	L2	1-402-332-11	COIL (ANT)	
C74	1-163-085-00	CERAMIC CHIP 2PF	50V	L3	1-402-397-11	COIL (ANT)	
		(AEP, Germany, UK, Italian, Saudi Arabia)		L4	1-402-331-11	COIL (ANT)	
C74	1-163-086-00	CERAMIC CHIP 3PF	50V	L5	1-406-261-11	COIL (OSC)	
		(US, Canadian, E, TOURIST, Australian)		L6	1-402-433-11	COIL (ANT)	
C75	1-126-096-11	ELECT 10uF	20% 35V	L7	1-402-330-11	COIL (ANT)	
C76	1-163-117-00	CERAMIC CHIP 100PF	5% 50V	L8	1-414-021-11	INDUCTOR 0.82uH	
C77	1-164-004-11	CERAMIC CHIP 0.1uF	10% 25V	L9	1-414-027-11	INDUCTOR 8.2uH	
C78	1-164-232-11	CERAMIC CHIP 0.01uF	50V	L10	1-410-967-11	INDUCTOR 2.2uH	
C79	1-163-088-00	CERAMIC CHIP 5PF	50V	L11	1-410-322-11	INDUCTOR 3.3uH	
< FILTER >				L12	1-402-628-11	ANTENNA, FERRITE-ROD (MW)	
CF1	1-567-097-61	FILTER, CERAMIC				(AEP, Germany, UK, Italian, Saudi Arabia)	
CF2	1-577-647-11	FILTER, CERAMIC		L12	1-402-633-11	ANTENNA, FERRITE-ROD (MW)	
CF3	1-577-047-11	FILTER, CERAMIC				(US, Canadian, E, TOURIST, Australian)	
< TRIMMER >				L13	1-460-351-11	COIL (WITH CORE)	
CT1	1-141-304-21	CAP, TRIMMER 10PF		L14	1-460-348-11	COIL (WITH CORE)	
< VARIABLE CAPACITOR >						(AEP, Germany, UK, Italian, Saudi Arabia)	
CV2	1-151-649-11	CAP, VARIABLE		L14	1-460-349-11	COIL (WITH CORE)	
CT2		(AEP, Germany, UK, Italian, Saudi Arabia)				(US, Canadian, E, TOURIST, Australian)	
CV2	1-151-650-11	CAP, VARIABLE		L15	1-406-255-11	COIL (OSC)	
CT2		(US, Canadian, E, TOURIST, Australian)		< TRANSISTOR >			
< DIODE >				Q1	8-729-117-83	TRANSISTOR 2SK160A-K25	
D1	8-719-123-79	DIODE 1SS279		Q2	8-729-116-64	TRANSISTOR 2SK508-K51	
D2	8-719-123-79	DIODE 1SS279		Q3	8-729-220-93	TRANSISTOR 2SK209-G	
D3	8-719-123-79	DIODE 1SS279		Q4	8-729-102-07	TRANSISTOR 2SC2223-F13	
D4	8-719-800-76	DIODE 1SS226		Q5	8-729-102-07	TRANSISTOR 2SC2223-F13	
D5	8-719-400-18	DIODE MA152WK		Q6	8-729-402-84	TRANSISTOR XN4601	
D10	8-719-800-76	DIODE 1SS226					

MAJN

Part No.	Part No.	Description	QTY	Unit
001	1-08-001-11	CONNECTOR	1.0000	001
002	1-08-001-12	CONNECTOR	1.0000	002
003	1-08-001-13	CONNECTOR	1.0000	003
004	1-08-001-14	CONNECTOR	1.0000	004
005	1-08-001-15	CONNECTOR	1.0000	005
006	1-08-001-16	CONNECTOR	1.0000	006
007	1-08-001-17	CONNECTOR	1.0000	007
008	1-08-001-18	CONNECTOR	1.0000	008
009	1-08-001-19	CONNECTOR	1.0000	009
010	1-08-001-20	CONNECTOR	1.0000	010
011	1-08-001-21	CONNECTOR	1.0000	011
012	1-08-001-22	CONNECTOR	1.0000	012
013	1-08-001-23	CONNECTOR	1.0000	013
014	1-08-001-24	CONNECTOR	1.0000	014
015	1-08-001-25	CONNECTOR	1.0000	015
016	1-08-001-26	CONNECTOR	1.0000	016
017	1-08-001-27	CONNECTOR	1.0000	017
018	1-08-001-28	CONNECTOR	1.0000	018
019	1-08-001-29	CONNECTOR	1.0000	019
020	1-08-001-30	CONNECTOR	1.0000	020
021	1-08-001-31	CONNECTOR	1.0000	021
022	1-08-001-32	CONNECTOR	1.0000	022
023	1-08-001-33	CONNECTOR	1.0000	023
024	1-08-001-34	CONNECTOR	1.0000	024
025	1-08-001-35	CONNECTOR	1.0000	025
026	1-08-001-36	CONNECTOR	1.0000	026
027	1-08-001-37	CONNECTOR	1.0000	027
028	1-08-001-38	CONNECTOR	1.0000	028
029	1-08-001-39	CONNECTOR	1.0000	029
030	1-08-001-40	CONNECTOR	1.0000	030
031	1-08-001-41	CONNECTOR	1.0000	031
032	1-08-001-42	CONNECTOR	1.0000	032
033	1-08-001-43	CONNECTOR	1.0000	033
034	1-08-001-44	CONNECTOR	1.0000	034
035	1-08-001-45	CONNECTOR	1.0000	035
036	1-08-001-46	CONNECTOR	1.0000	036
037	1-08-001-47	CONNECTOR	1.0000	037
038	1-08-001-48	CONNECTOR	1.0000	038
039	1-08-001-49	CONNECTOR	1.0000	039
040	1-08-001-50	CONNECTOR	1.0000	040
041	1-08-001-51	CONNECTOR	1.0000	041
042	1-08-001-52	CONNECTOR	1.0000	042
043	1-08-001-53	CONNECTOR	1.0000	043
044	1-08-001-54	CONNECTOR	1.0000	044
045	1-08-001-55	CONNECTOR	1.0000	045
046	1-08-001-56	CONNECTOR	1.0000	046
047	1-08-001-57	CONNECTOR	1.0000	047
048	1-08-001-58	CONNECTOR	1.0000	048
049	1-08-001-59	CONNECTOR	1.0000	049
050	1-08-001-60	CONNECTOR	1.0000	050
051	1-08-001-61	CONNECTOR	1.0000	051
052	1-08-001-62	CONNECTOR	1.0000	052
053	1-08-001-63	CONNECTOR	1.0000	053
054	1-08-001-64	CONNECTOR	1.0000	054
055	1-08-001-65	CONNECTOR	1.0000	055
056	1-08-001-66	CONNECTOR	1.0000	056
057	1-08-001-67	CONNECTOR	1.0000	057
058	1-08-001-68	CONNECTOR	1.0000	058
059	1-08-001-69	CONNECTOR	1.0000	059
060	1-08-001-70	CONNECTOR	1.0000	060
061	1-08-001-71	CONNECTOR	1.0000	061
062	1-08-001-72	CONNECTOR	1.0000	062
063	1-08-001-73	CONNECTOR	1.0000	063
064	1-08-001-74	CONNECTOR	1.0000	064
065	1-08-001-75	CONNECTOR	1.0000	065
066	1-08-001-76	CONNECTOR	1.0000	066
067	1-08-001-77	CONNECTOR	1.0000	067
068	1-08-001-78	CONNECTOR	1.0000	068
069	1-08-001-79	CONNECTOR	1.0000	069
070	1-08-001-80	CONNECTOR	1.0000	070
071	1-08-001-81	CONNECTOR	1.0000	071
072	1-08-001-82	CONNECTOR	1.0000	072
073	1-08-001-83	CONNECTOR	1.0000	073
074	1-08-001-84	CONNECTOR	1.0000	074
075	1-08-001-85	CONNECTOR	1.0000	075
076	1-08-001-86	CONNECTOR	1.0000	076
077	1-08-001-87	CONNECTOR	1.0000	077
078	1-08-001-88	CONNECTOR	1.0000	078
079	1-08-001-89	CONNECTOR	1.0000	079
080	1-08-001-90	CONNECTOR	1.0000	080
081	1-08-001-91	CONNECTOR	1.0000	081
082	1-08-001-92	CONNECTOR	1.0000	082
083	1-08-001-93	CONNECTOR	1.0000	083
084	1-08-001-94	CONNECTOR	1.0000	084
085	1-08-001-95	CONNECTOR	1.0000	085
086	1-08-001-96	CONNECTOR	1.0000	086
087	1-08-001-97	CONNECTOR	1.0000	087
088	1-08-001-98	CONNECTOR	1.0000	088
089	1-08-001-99	CONNECTOR	1.0000	089
090	1-08-001-100	CONNECTOR	1.0000	090

Part No.	Part No.	Description	QTY	Unit
091	1-12-001-01	WASHER	1.0000	091
092	1-12-001-02	WASHER	1.0000	092
093	1-12-001-03	WASHER	1.0000	093
094	1-12-001-04	WASHER	1.0000	094
095	1-12-001-05	WASHER	1.0000	095
096	1-12-001-06	WASHER	1.0000	096
097	1-12-001-07	WASHER	1.0000	097
098	1-12-001-08	WASHER	1.0000	098
099	1-12-001-09	WASHER	1.0000	099
100	1-12-001-10	WASHER	1.0000	100
101	1-12-001-11	WASHER	1.0000	101
102	1-12-001-12	WASHER	1.0000	102
103	1-12-001-13	WASHER	1.0000	103
104	1-12-001-14	WASHER	1.0000	104
105	1-12-001-15	WASHER	1.0000	105
106	1-12-001-16	WASHER	1.0000	106
107	1-12-001-17	WASHER	1.0000	107
108	1-12-001-18	WASHER	1.0000	108
109	1-12-001-19	WASHER	1.0000	109
110	1-12-001-20	WASHER	1.0000	110
111	1-12-001-21	WASHER	1.0000	111
112	1-12-001-22	WASHER	1.0000	112
113	1-12-001-23	WASHER	1.0000	113
114	1-12-001-24	WASHER	1.0000	114
115	1-12-001-25	WASHER	1.0000	115
116	1-12-001-26	WASHER	1.0000	116
117	1-12-001-27	WASHER	1.0000	117
118	1-12-001-28	WASHER	1.0000	118
119	1-12-001-29	WASHER	1.0000	119
120	1-12-001-30	WASHER	1.0000	120
121	1-12-001-31	WASHER	1.0000	121
122	1-12-001-32	WASHER	1.0000	122
123	1-12-001-33	WASHER	1.0000	123
124	1-12-001-34	WASHER	1.0000	124
125	1-12-001-35	WASHER	1.0000	125
126	1-12-001-36	WASHER	1.0000	126
127	1-12-001-37	WASHER	1.0000	127
128	1-12-001-38	WASHER	1.0000	128
129	1-12-001-39	WASHER	1.0000	129
130	1-12-001-40	WASHER	1.0000	130
131	1-12-001-41	WASHER	1.0000	131
132	1-12-001-42	WASHER	1.0000	132
133	1-12-001-43	WASHER	1.0000	133
134	1-12-001-44	WASHER	1.0000	134
135	1-12-001-45	WASHER	1.0000	135
136	1-12-001-46	WASHER	1.0000	136
137	1-12-001-47	WASHER	1.0000	137
138	1-12-001-48	WASHER	1.0000	138
139	1-12-001-49	WASHER	1.0000	139
140	1-12-001-50	WASHER	1.0000	140
141	1-12-001-51	WASHER	1.0000	141
142	1-12-001-52	WASHER	1.0000	142
143	1-12-001-53	WASHER	1.0000	143
144	1-12-001-54	WASHER	1.0000	144
145	1-12-001-55	WASHER	1.0000	145
146	1-12-001-56	WASHER	1.0000	146
147	1-12-001-57	WASHER	1.0000	147
148	1-12-001-58	WASHER	1.0000	148
149	1-12-001-59	WASHER	1.0000	149
150	1-12-001-60	WASHER	1.0000	150
151	1-12-001-61	WASHER	1.0000	151
152	1-12-001-62	WASHER	1.0000	152
153	1-12-001-63	WASHER	1.0000	153
154	1-12-001-64	WASHER	1.0000	154
155	1-12-001-65	WASHER	1.0000	155
156	1-12-001-66	WASHER	1.0000	156
157	1-12-001-67	WASHER	1.0000	157
158	1-12-001-68	WASHER	1.0000	158
159	1-12-001-69	WASHER	1.0000	159
160	1-12-001-70	WASHER	1.0000	160
161	1-12-001-71	WASHER	1.0000	161
162	1-12-001-72	WASHER	1.0000	162
163	1-12-001-73	WASHER	1.0000	163
164	1-12-001-74	WASHER	1.0000	164
165	1-12-001-75	WASHER	1.0000	165
166	1-12-001-76	WASHER	1.0000	166
167	1-12-001-77	WASHER	1.0000	167
168	1-12-001-78	WASHER	1.0000	168
169	1-12-001-79	WASHER	1.0000	169
170	1-12-001-80	WASHER	1.0000	170
171	1-12-001-81	WASHER	1.0000	171
172	1-12-001-82	WASHER	1.0000	172
173	1-12-001-83	WASHER	1.0000	173
174	1-12-001-84	WASHER	1.0000	174
175	1-12-001-85	WASHER	1.0000	175
176	1-12-001-86	WASHER	1.0000	176
177	1-12-001-87	WASHER	1.0000	177
178	1-12-001-88	WASHER	1.0000	178
179	1-12-001-89	WASHER	1.0000	179
180	1-12-001-90	WASHER	1.0000	180
181	1-12-001-91	WASHER	1.0000	181
182	1-12-001-92	WASHER	1.0000	182
183	1-12-001-93	WASHER	1.0000	183
184	1-12-001-94	WASHER	1.0000	184
185	1-12-001-95	WASHER	1.0000	185
186	1-12-001-96	WASHER	1.0000	186
187	1-12-001-97	WASHER	1.0000	187
188	1-12-001-98	WASHER	1.0000	188
189	1-12-001-99	WASHER	1.0000	189
190	1-12-001-100	WASHER	1.0000	190

Ref. No.	Part No.	Description	Remark	Ref. No.	Part No.	Description	Remark
Q7	8-729-402-13	TRANSISTOR	XN1501	R42	1-216-053-00	METAL CHIP	1.5K 5% 1/10W
Q9	8-729-807-87	TRANSISTOR	2SB1295-UL6	R43	1-216-041-00	METAL CHIP	470 5% 1/10W
Q10	8-729-402-84	TRANSISTOR	XN4601	R44	1-216-081-00	METAL CHIP	22K 5% 1/10W
Q13	8-729-120-28	TRANSISTOR	2SC1623-LSL6	R45	1-216-049-00	METAL CHIP	1K 5% 1/10W
Q15	8-729-402-84	TRANSISTOR	XN4601	R46	1-216-246-00	METAL GLAZE	100K 5% 1/8W
		< RESISTOR >					
R1	1-216-057-00	METAL CHIP	2.2K 5% 1/10W	R47	1-216-246-00	METAL GLAZE	100K 5% 1/8W
R2	1-216-091-00	METAL CHIP	56K 5% 1/10W	R48	1-216-061-00	METAL CHIP	3.3K 5% 1/10W
R3	1-216-041-00	METAL CHIP	470 5% 1/10W	R49	1-216-061-00	METAL CHIP	3.3K 5% 1/10W
R4	1-216-040-00	METAL GLAZE	430 5% 1/10W	R50	1-216-061-00	METAL CHIP	3.3K 5% 1/10W
R5	1-216-097-00	METAL CHIP	100K 5% 1/10W	R51	1-216-061-00	METAL CHIP	3.3K 5% 1/10W
R6	1-216-059-00	METAL CHIP	2.7K 5% 1/10W	R52	1-216-113-00	METAL CHIP	470K 5% 1/10W
R7	1-216-041-00	METAL CHIP	470 5% 1/10W	R53	1-216-073-00	METAL CHIP	10K 5% 1/10W
R8	1-216-065-00	METAL CHIP	4.7K 5% 1/10W	R54	1-216-178-00	METAL GLAZE	150 5% 1/8W
R9	1-216-063-00	METAL CHIP	3.9K 5% 1/10W	R56	1-216-065-00	METAL GLAZE	4.7K 5% 1/10W
R10	1-216-063-00	METAL CHIP	3.9K 5% 1/10W	R57	1-216-053-00	METAL CHIP	1.5K 5% 1/10W
R11	1-216-073-00	METAL CHIP	10K 5% 1/10W	R58	1-216-089-00	METAL CHIP	47K 5% 1/10W
R12	1-216-057-00	METAL CHIP	2.2K 5% 1/10W	R59	1-216-057-00	METAL CHIP	2.2K 5% 1/10W
R13	1-216-082-00	METAL GLAZE	24K 5% 1/10W	R60	1-216-041-00	METAL CHIP	470 5% 1/10W
R14	1-216-049-00	METAL CHIP	1K 5% 1/10W	R61	1-216-190-00	METAL GLAZE	470 5% 1/8W
R15	1-216-067-00	METAL CHIP	5.6K 5% 1/10W	R62	1-216-190-00	METAL GLAZE	470 5% 1/8W
R16	1-216-295-00	METAL CHIP	0 5% 1/10W	R63	1-216-296-00	METAL CHIP	0 5% 1/8W
R18	1-216-037-00	METAL CHIP	330 5% 1/10W	R64	1-216-113-00	METAL CHIP	470K 5% 1/10W
R19	1-216-077-00	METAL CHIP	15K 5% 1/10W	R65	1-216-089-00	METAL CHIP	47K 5% 1/10W
R20	1-216-105-00	METAL CHIP	220K 5% 1/10W	R66	1-216-053-00	METAL CHIP	1.5K 5% 1/10W
R21	1-216-049-00	METAL CHIP	1K 5% 1/10W	R67	1-216-097-00	METAL CHIP	100K 5% 1/10W
R22	1-216-049-00	METAL CHIP	1K 5% 1/10W	R68	1-216-061-00	METAL CHIP	3.3K 5% 1/10W
R23	1-216-114-00	METAL GLAZE	510K 5% 1/10W	R69	1-216-061-00	METAL CHIP	3.3K 5% 1/10W
R24	1-216-105-00	METAL CHIP	220K 5% 1/10W	R70	1-216-061-00	METAL CHIP	3.3K 5% 1/10W
R25	1-216-083-00	METAL CHIP	27K 5% 1/10W	R71	1-216-017-00	METAL CHIP	47 5% 1/10W
R26	1-216-049-00	METAL CHIP	1K 5% 1/10W	R72	1-216-097-00	METAL CHIP	100K 5% 1/10W
R27	1-216-043-00	METAL CHIP	560 5% 1/10W	R73	1-216-296-00	METAL CHIP	0 5% 1/8W
R28	1-216-058-00	METAL GLAZE	2.4K 5% 1/10W	R74	1-216-296-00	METAL CHIP	0 5% 1/8W
R29	1-216-105-00	METAL CHIP	220K 5% 1/10W	R75	1-216-296-00	METAL CHIP	0 5% 1/8W
R30	1-216-091-00	METAL CHIP	56K 5% 1/10W	R76	1-216-296-00	METAL CHIP	0 5% 1/8W
R31	1-216-057-00	METAL CHIP	2.2K 5% 1/10W	R77	1-216-296-00	METAL CHIP	0 5% 1/8W
R32	1-216-081-00	METAL CHIP	22K 5% 1/10W	R78	1-216-296-00	METAL CHIP	0 5% 1/8W
R33	1-216-198-00	METAL CHIP	1K 5% 1/8W	R79	1-216-296-00	METAL CHIP	0 5% 1/8W
R34	1-216-049-00	METAL CHIP	1K 5% 1/10W	R80	1-216-296-00	METAL CHIP	0 5% 1/8W
R35	1-216-025-00	METAL CHIP	100 5% 1/10W	R81	1-216-295-00	METAL CHIP	0 5% 1/10W
R36	1-216-059-00	METAL CHIP	2.7K 5% 1/10W	R82	1-216-296-00	METAL CHIP	0 5% 1/8W
R37	1-216-689-11	METAL CHIP	39K 0.5% 1/10W	R83	1-216-296-00	METAL CHIP	0 5% 1/8W
R38	1-216-065-00	METAL CHIP	4.7K 5% 1/10W	R84	1-216-296-00	METAL CHIP	0 5% 1/8W
R39	1-216-065-00	METAL CHIP	4.7K 5% 1/10W	R85	1-216-296-00	METAL CHIP	0 5% 1/8W
R40	1-216-097-00	METAL CHIP	100K 5% 1/10W	R86	1-216-296-00	METAL CHIP	0 5% 1/8W
R41	1-216-029-00	METAL CHIP	150 5% 1/10W	R87	1-216-296-00	METAL CHIP	0 5% 1/8W
				R88	1-216-296-00	METAL CHIP	0 5% 1/8W
				R89	1-216-296-00	METAL CHIP	0 5% 1/8W
				R90	1-216-296-00	METAL CHIP	0 5% 1/8W
				R91	1-216-296-00	METAL CHIP	0 5% 1/8W

MAIN

Ref. No.	Part No.	Description	Remark	Ref. No.	Part No.	Description	Remark
R92	1-216-296-00	METAL CHIP	0 5%			MISCELLANEOUS	
R93	1-216-296-00	METAL CHIP	0 5%			*****	
R94	1-216-296-00	METAL CHIP	0 5%				
R95	1-216-296-00	METAL CHIP	0 5%				
R96	1-216-296-00	METAL CHIP	0 5%				
R97	1-216-295-00	METAL CHIP	0 5%				
R98	1-216-295-00	METAL CHIP	0 5%				
R99	1-216-295-00	METAL CHIP	0 5%				
R100	1-216-295-00	METAL CHIP	0 5%				
R101	1-216-295-00	METAL CHIP	0 5%				
R102	1-216-295-00	METAL CHIP	0 5%				
R103	1-216-295-00	METAL CHIP	0 5%				
R104	1-216-295-00	METAL CHIP	0 5%				
R105	1-216-296-00	METAL CHIP	0 5%				
R106	1-216-295-00	METAL CHIP	0 5%				
R107	1-216-296-00	METAL CHIP	0 5%				
R108	1-216-295-00	METAL CHIP	0 5%				
R109	1-216-295-00	METAL CHIP	0 5%				
R110	1-216-295-00	METAL CHIP	0 5%				
R111	1-216-295-00	METAL CHIP	0 5%				
		< VARIABLE RESISTOR >					
RV1	1-238-555-11	RES, VAR, CARBON 50K (VOLUME)					
		< SWITCH >					
S1	1-554-979-11	SWITCH, SLIDE (BAND SELECTOR)					
S2	1-572-761-31	SWITCH, SLIDE (TONE)					
S3	1-553-510-00	SWITCH, SLIDE (HOLD)					
S4	1-692-016-11	SWITCH, KEY BOARD (FM)					
S5	1-692-016-11	SWITCH, KEY BOARD (MW)					
S6	1-692-016-11	SWITCH, KEY BOARD (SW)					
S7	1-692-016-11	SWITCH, KEY BOARD (OFF)					
		< TRANSFORMER >					
T1	1-404-764-11	TRANSFORMER, IF					
T2	1-404-362-61	TRANSFORMER, IF					
T3	1-404-362-61	TRANSFORMER, IF					
T4	1-406-498-11	COIL (OSC)					
		< VIBRATOR >					
X1	1-577-447-11	VIBRATOR, CERAMIC, 16.8MHz					
X2	1-577-448-11	VIBRATOR, CERAMIC, 17.9MHz					
X3	1-577-449-11	VIBRATOR, CERAMIC, 20.4MHz					
X4	1-577-445-11	VIBRATOR, CERAMIC, 22.64MHz					
X5	1-579-684-11	VIBRATOR, CRYSTAL, 26.025MHz					
X6	1-579-685-11	VIBRATOR, CRYSTAL, 28.525MHz					
X7	1-579-686-11	VIBRATOR, CRYSTAL, 32.35MHz					

Ref. No. Part No. Description Remark

MISCELLANEOUS
*****ANT1 1-501-543-11 ANTENNA, TELESCOPIC
SP1 1-544-758-11 SPEAKER (6.6CM)

ACCESSORIES & PACKING MATERIALS
****** 3-381-803-01 INDIVIDUAL CARTON
3-755-247-01 MANUAL, INSTRUCTION (TOURIST)
(JAPANESE/ENGLISH/KOREAN)
3-755-247-11 MANUAL, INSTRUCTION (ENGLISH/FRENCH/
SPANISH/PORTUGUESE/SWEDISH) (US, Canadian, AEP,
E. Australian)3-755-247-41 MANUAL, INSTRUCTION (ENGLISH/GERMAN/
FRENCH/ITALIAN/DUTCH) (AEP, Germany, UK, Italian)
3-755-247-51 MANUAL, INSTRUCTION
(ENGLISH/ARABIC) (Saudi Arabia)
3-893-940-17 GUIDE, SHORT WAVE3-383-148-01 CASE, CARRYING (AEP, Germany, UK, Italian,
E. Saudi Arabia, TOURIST, Australian)
3-383-735-01 CASE, CARRYING (US, Canadian)

MAIN

Seq. No.	Part No.	Description	QTY	Unit
801	1-10-100-01	WRENCH, 12" OPEN END	1	EA
802	1-10-100-02	WRENCH, 12" OPEN END	1	EA
803	1-10-100-03	WRENCH, 12" OPEN END	1	EA
804	1-10-100-04	WRENCH, 12" OPEN END	1	EA
805	1-10-100-05	WRENCH, 12" OPEN END	1	EA
806	1-10-100-06	WRENCH, 12" OPEN END	1	EA
807	1-10-100-07	WRENCH, 12" OPEN END	1	EA
808	1-10-100-08	WRENCH, 12" OPEN END	1	EA
809	1-10-100-09	WRENCH, 12" OPEN END	1	EA
810	1-10-100-10	WRENCH, 12" OPEN END	1	EA
811	1-10-100-11	WRENCH, 12" OPEN END	1	EA
812	1-10-100-12	WRENCH, 12" OPEN END	1	EA
813	1-10-100-13	WRENCH, 12" OPEN END	1	EA
814	1-10-100-14	WRENCH, 12" OPEN END	1	EA
815	1-10-100-15	WRENCH, 12" OPEN END	1	EA
816	1-10-100-16	WRENCH, 12" OPEN END	1	EA
817	1-10-100-17	WRENCH, 12" OPEN END	1	EA
818	1-10-100-18	WRENCH, 12" OPEN END	1	EA
819	1-10-100-19	WRENCH, 12" OPEN END	1	EA
820	1-10-100-20	WRENCH, 12" OPEN END	1	EA
821	1-10-100-21	WRENCH, 12" OPEN END	1	EA
822	1-10-100-22	WRENCH, 12" OPEN END	1	EA
823	1-10-100-23	WRENCH, 12" OPEN END	1	EA
824	1-10-100-24	WRENCH, 12" OPEN END	1	EA
825	1-10-100-25	WRENCH, 12" OPEN END	1	EA
826	1-10-100-26	WRENCH, 12" OPEN END	1	EA
827	1-10-100-27	WRENCH, 12" OPEN END	1	EA
828	1-10-100-28	WRENCH, 12" OPEN END	1	EA
829	1-10-100-29	WRENCH, 12" OPEN END	1	EA
830	1-10-100-30	WRENCH, 12" OPEN END	1	EA
831	1-10-100-31	WRENCH, 12" OPEN END	1	EA
832	1-10-100-32	WRENCH, 12" OPEN END	1	EA
833	1-10-100-33	WRENCH, 12" OPEN END	1	EA
834	1-10-100-34	WRENCH, 12" OPEN END	1	EA
835	1-10-100-35	WRENCH, 12" OPEN END	1	EA
836	1-10-100-36	WRENCH, 12" OPEN END	1	EA
837	1-10-100-37	WRENCH, 12" OPEN END	1	EA
838	1-10-100-38	WRENCH, 12" OPEN END	1	EA
839	1-10-100-39	WRENCH, 12" OPEN END	1	EA
840	1-10-100-40	WRENCH, 12" OPEN END	1	EA
841	1-10-100-41	WRENCH, 12" OPEN END	1	EA
842	1-10-100-42	WRENCH, 12" OPEN END	1	EA
843	1-10-100-43	WRENCH, 12" OPEN END	1	EA
844	1-10-100-44	WRENCH, 12" OPEN END	1	EA
845	1-10-100-45	WRENCH, 12" OPEN END	1	EA
846	1-10-100-46	WRENCH, 12" OPEN END	1	EA
847	1-10-100-47	WRENCH, 12" OPEN END	1	EA
848	1-10-100-48	WRENCH, 12" OPEN END	1	EA
849	1-10-100-49	WRENCH, 12" OPEN END	1	EA
850	1-10-100-50	WRENCH, 12" OPEN END	1	EA

(PARTS LIST)

(PARTS LIST)

1-10-100-01 WRENCH, 12" OPEN END
 1-10-100-02 WRENCH, 12" OPEN END
 1-10-100-03 WRENCH, 12" OPEN END
 1-10-100-04 WRENCH, 12" OPEN END
 1-10-100-05 WRENCH, 12" OPEN END

1-10-100-06 WRENCH, 12" OPEN END
 1-10-100-07 WRENCH, 12" OPEN END
 1-10-100-08 WRENCH, 12" OPEN END

(PARTS LIST)

1-10-100-09 WRENCH, 12" OPEN END
 1-10-100-10 WRENCH, 12" OPEN END
 1-10-100-11 WRENCH, 12" OPEN END
 1-10-100-12 WRENCH, 12" OPEN END

(PARTS LIST)

1-10-100-13 WRENCH, 12" OPEN END
 1-10-100-14 WRENCH, 12" OPEN END
 1-10-100-15 WRENCH, 12" OPEN END
 1-10-100-16 WRENCH, 12" OPEN END
 1-10-100-17 WRENCH, 12" OPEN END

1-10-100-18 WRENCH, 12" OPEN END
 1-10-100-19 WRENCH, 12" OPEN END
 1-10-100-20 WRENCH, 12" OPEN END

Seq. No.	Part No.	Description	QTY	Unit
851	1-10-100-51	WRENCH, 12" OPEN END	1	EA
852	1-10-100-52	WRENCH, 12" OPEN END	1	EA
853	1-10-100-53	WRENCH, 12" OPEN END	1	EA
854	1-10-100-54	WRENCH, 12" OPEN END	1	EA
855	1-10-100-55	WRENCH, 12" OPEN END	1	EA
856	1-10-100-56	WRENCH, 12" OPEN END	1	EA
857	1-10-100-57	WRENCH, 12" OPEN END	1	EA
858	1-10-100-58	WRENCH, 12" OPEN END	1	EA
859	1-10-100-59	WRENCH, 12" OPEN END	1	EA
860	1-10-100-60	WRENCH, 12" OPEN END	1	EA
861	1-10-100-61	WRENCH, 12" OPEN END	1	EA
862	1-10-100-62	WRENCH, 12" OPEN END	1	EA
863	1-10-100-63	WRENCH, 12" OPEN END	1	EA
864	1-10-100-64	WRENCH, 12" OPEN END	1	EA
865	1-10-100-65	WRENCH, 12" OPEN END	1	EA
866	1-10-100-66	WRENCH, 12" OPEN END	1	EA
867	1-10-100-67	WRENCH, 12" OPEN END	1	EA
868	1-10-100-68	WRENCH, 12" OPEN END	1	EA
869	1-10-100-69	WRENCH, 12" OPEN END	1	EA
870	1-10-100-70	WRENCH, 12" OPEN END	1	EA
871	1-10-100-71	WRENCH, 12" OPEN END	1	EA
872	1-10-100-72	WRENCH, 12" OPEN END	1	EA
873	1-10-100-73	WRENCH, 12" OPEN END	1	EA
874	1-10-100-74	WRENCH, 12" OPEN END	1	EA
875	1-10-100-75	WRENCH, 12" OPEN END	1	EA
876	1-10-100-76	WRENCH, 12" OPEN END	1	EA
877	1-10-100-77	WRENCH, 12" OPEN END	1	EA
878	1-10-100-78	WRENCH, 12" OPEN END	1	EA
879	1-10-100-79	WRENCH, 12" OPEN END	1	EA
880	1-10-100-80	WRENCH, 12" OPEN END	1	EA
881	1-10-100-81	WRENCH, 12" OPEN END	1	EA
882	1-10-100-82	WRENCH, 12" OPEN END	1	EA
883	1-10-100-83	WRENCH, 12" OPEN END	1	EA
884	1-10-100-84	WRENCH, 12" OPEN END	1	EA
885	1-10-100-85	WRENCH, 12" OPEN END	1	EA
886	1-10-100-86	WRENCH, 12" OPEN END	1	EA
887	1-10-100-87	WRENCH, 12" OPEN END	1	EA
888	1-10-100-88	WRENCH, 12" OPEN END	1	EA
889	1-10-100-89	WRENCH, 12" OPEN END	1	EA
890	1-10-100-90	WRENCH, 12" OPEN END	1	EA
891	1-10-100-91	WRENCH, 12" OPEN END	1	EA
892	1-10-100-92	WRENCH, 12" OPEN END	1	EA
893	1-10-100-93	WRENCH, 12" OPEN END	1	EA
894	1-10-100-94	WRENCH, 12" OPEN END	1	EA
895	1-10-100-95	WRENCH, 12" OPEN END	1	EA
896	1-10-100-96	WRENCH, 12" OPEN END	1	EA
897	1-10-100-97	WRENCH, 12" OPEN END	1	EA
898	1-10-100-98	WRENCH, 12" OPEN END	1	EA
899	1-10-100-99	WRENCH, 12" OPEN END	1	EA
900	1-10-100-100	WRENCH, 12" OPEN END	1	EA

ICF
 SW15
 1-10-100-01
 WRENCH, 12" OPEN END

Berry Corporation
 Personal Telecommunications Division

BMS040141

Revised by: System Analysis & Control Dept.