

ICF-SW11

SERVICE MANUAL

Ver 1.1 2001.10



*US Model
Canadian Model
AEP Model
E Model
Chinese Model
Tourist Model*

SPECIFICATIONS

本资料由OKXIA视听皮带资源库www.okxia.cn提供

Frequency range:

FM:	87.5 – 108 MHz (Other models) 76 – 108 MHz (Tourist model)
SW1:	4.750 – 5.060 MHz (Other models) 3.850 – 4.050 MHz (Tourist model)
SW2:	5.900 – 6.200 MHz
SW3:	7.100 – 7.350 MHz
SW4:	9.400 – 9.990 MHz
SW5:	11.600 – 12.100 MHz
SW6:	13.570 – 13.870 MHz
SW7:	15.100 – 15.800 MHz
SW8:	17.480 – 17.900 MHz
SW9:	21.450 – 21.750 MHz
MW:	525 – 1620 MHz
LW:	141 – 290 kHz
Speaker	Approx. 5.7 cm (2¼ inches) dia., 4 Ω
Power output	140 mW (at 10 % harmonic distortion)
Ourput	Headphones jack (stereo minijack, 3.5 mm dia)

Power requirements

3 V DC, two R6 (size AA) batteries
DC IN 3V jack accepts : AC power adaptor
(Except chinese model)
AC-E30L, HG (not supplied)

Battery life Approx. 30 hours with Sony SUM-3 (NS)

Dimensions Approx. 162 × 93.8 × 34.8 mm(w/h/d)
(6½ × 3¾ × 1⅜ inches)

Mass Approx. 340 g (12 oz) incl. batteries

Supplied accessory

Short wave guide (1)

Accessories not supplied

AC power adaptor

*AC-E3L, HG

LW/MW/SW wide range antenna AN-1, AN-102

*The voltage of power supply is different depending on the country .
Please buy an AC power adaptor in the country where the radio is
to be used.

Design and specifications are subject to change without notice.

**FM STEREO/SW1-9/
MW/LW 12 BAND RECEIVER**

9-927-176-12
2001J1600-1
© 2001.10

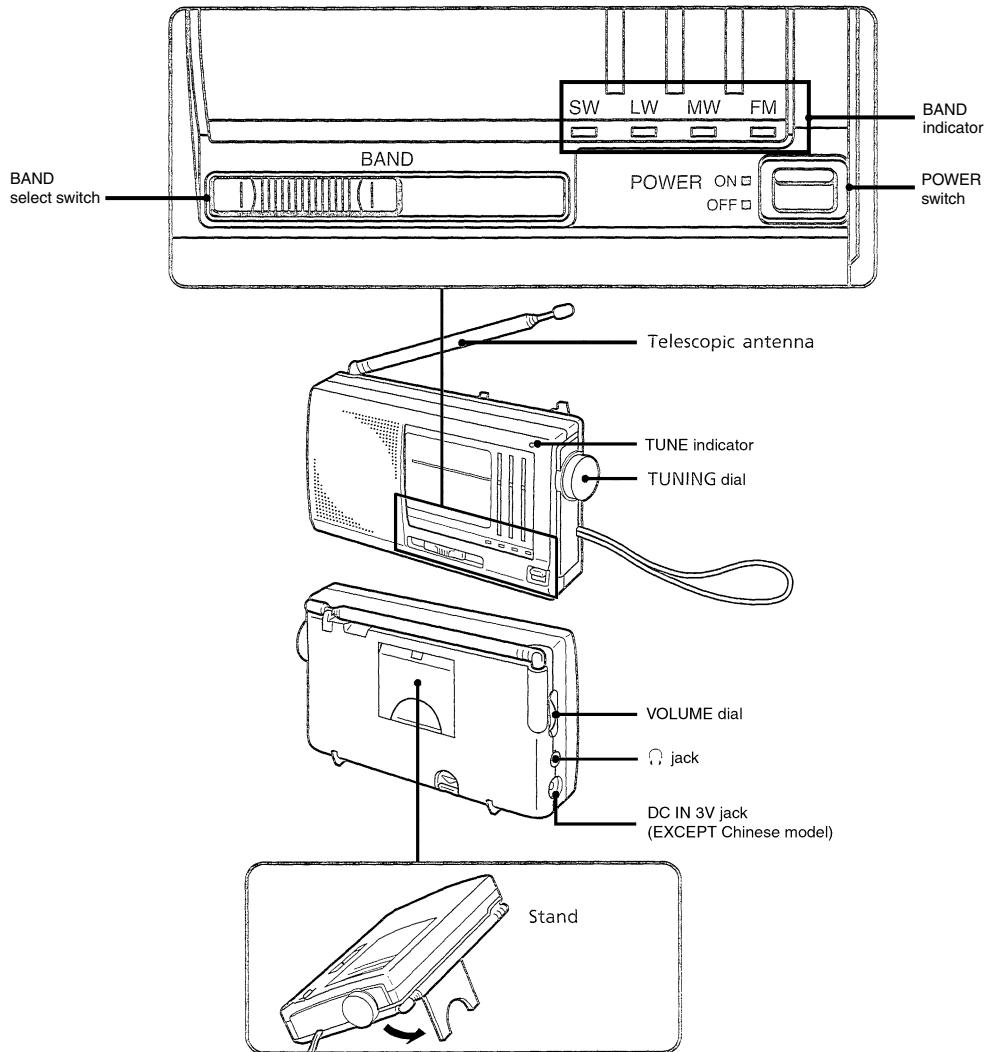
Sony Corporation
Personal Audio Company
Published by Sony Engineering Corporation

SONY®

TABLE OF CONTENTS

1. GENERAL	3
2. DISASSEMBLY	
2-1. Rear Cabinet	4
2-2. Front Cabinet, Main Board	4
2-3. Dial Pointer Setting	5
3. ELECTRICAL ADJUSTMENT	6
4. DIAGRAMS	
4-1. IC Block Diagram	8
4-2. Printed Wiring Board	9
4-3. Schematic Diagram	11
5. EXPLODED VIEWS	13
6. ELECTRICAL PARTS LIST	14

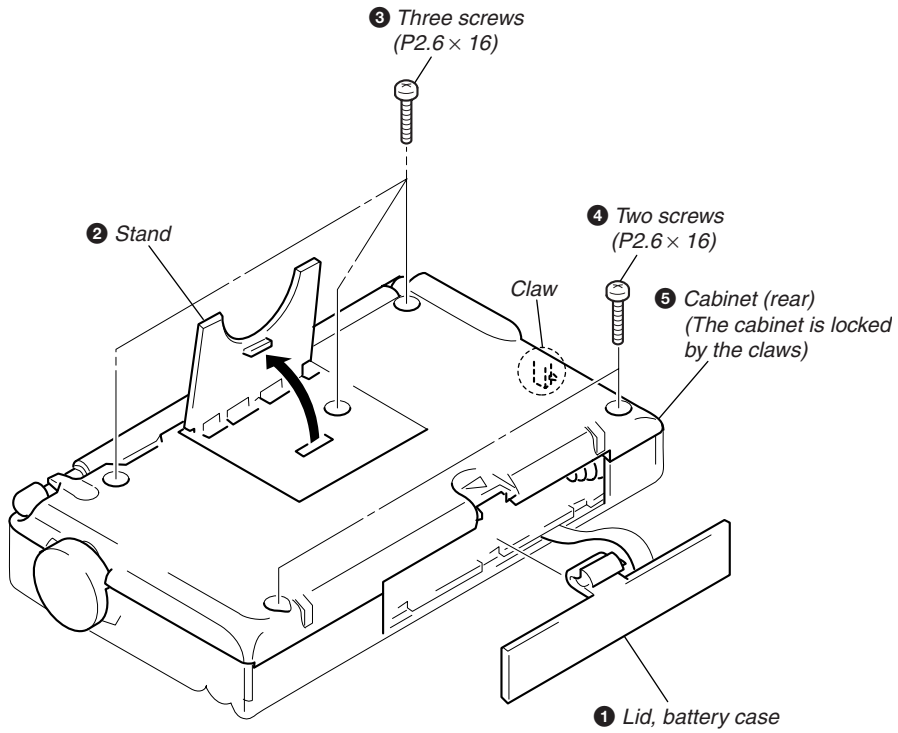
SECTION 1 GENERAL



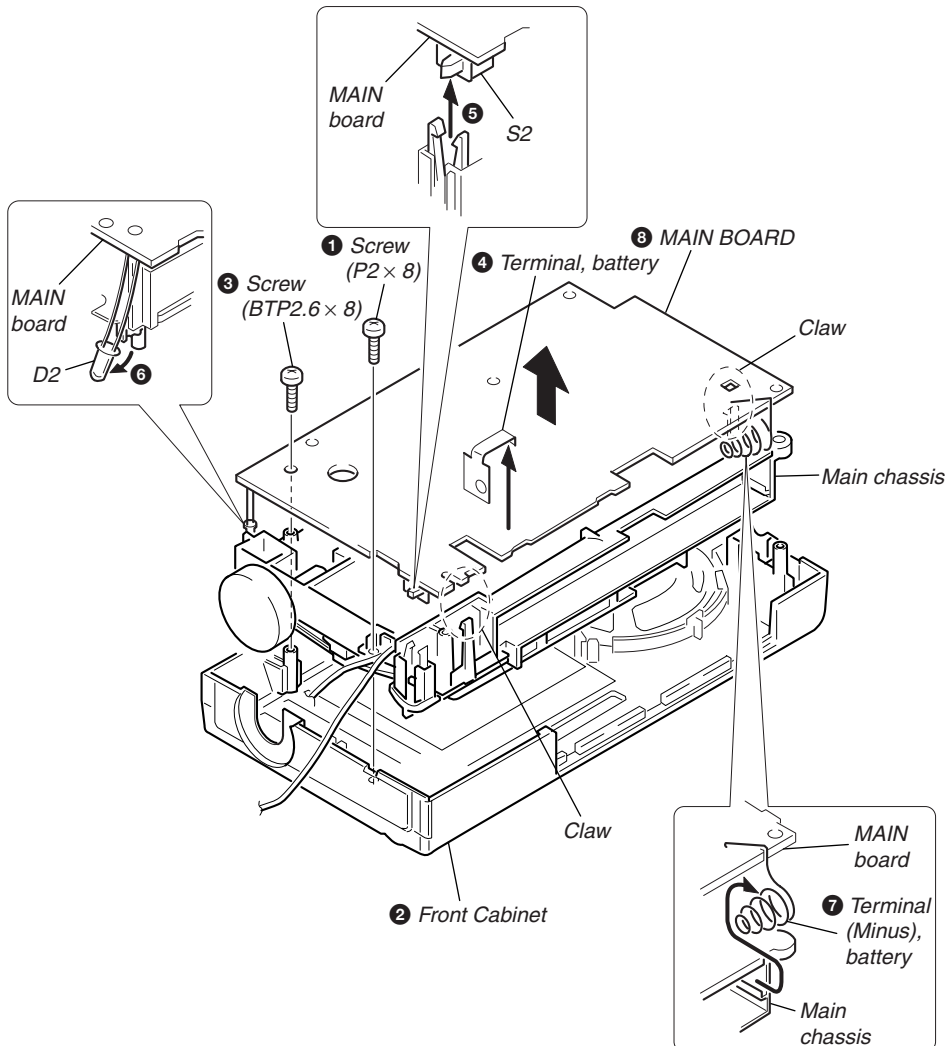
SECTION 2 DISASSEMBLY

Note : Follow the disassembly procedure in the numerical order given.

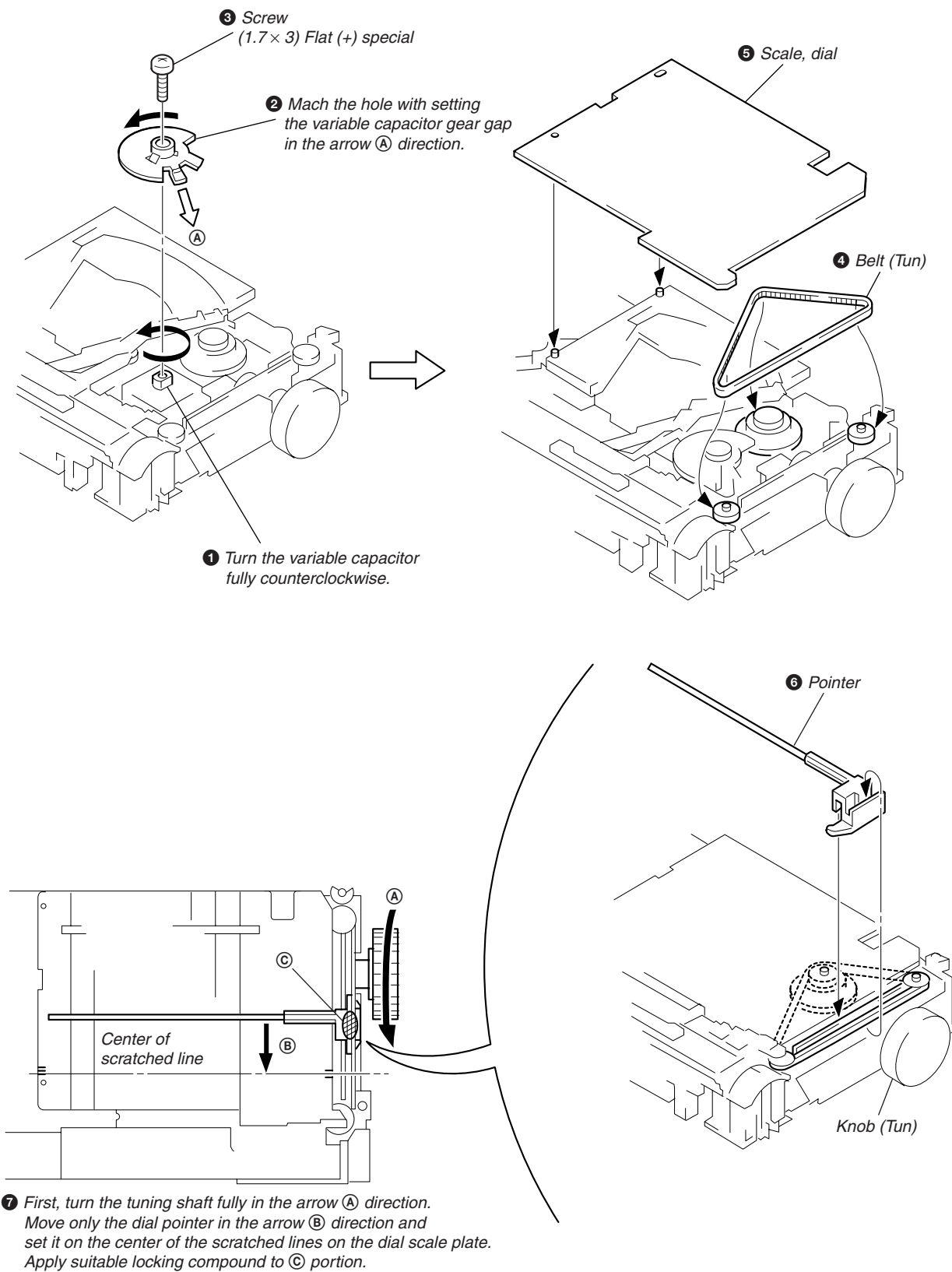
2-1. REAR CABINET



2-2. FRONT CABINET, MAIN BOARD



2-3. DIAL POINTER SETTING



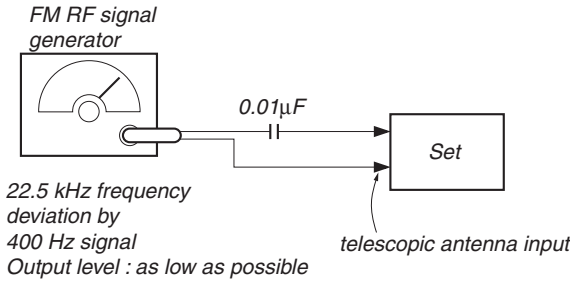
SECTION 3 ELECTRICAL ADJUSTMENTS

FM section

Setting

BAND switch : FM

0 dB=1 μ V



- This adjustment should be executed after MW band adjustment is completed because the LW and SW bands use the BAR ANT and CV1 in common with the MW band. Therefore, if MW band is adjusted, the LW and SW bands must also be readjusted.

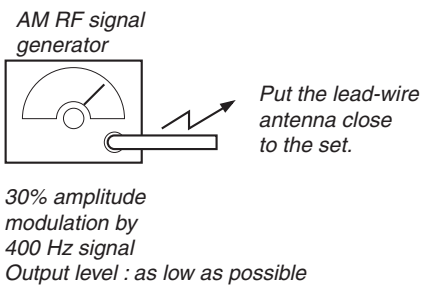
FM FREQUENCY COVERAGE ADJUSTMENT	
Adjust for a maximum reading on Level meter.	
L7	CT1-4
87.3MHz (75MHz)	108.3MHz (109.5MHz)

FM TRACKING ADJUSTMENT	
Adjust for a maximum reading on Level meter.	
L6	CT1-3
87.3MHz (75MHz)	108.3MHz (109.5MHz)

MW/LW section

Setting

BAND switch : MW/LW



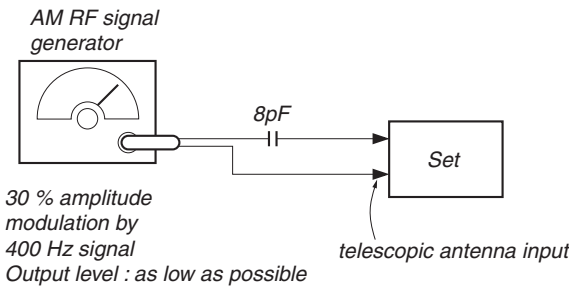
MW FREQUENCY COVERAGE ADJUSTMENT	
Adjust for a maximum reading on Level meter.	
L4	CT1-2
520kHz	1,650kHz

MW TRACKING ADJUSTMENT	
Adjust for a maximum reading on Level meter.	
L1	CT1-1
600kHz	1,400kHz

SW section

Setting

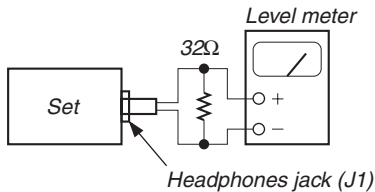
BAND switch : SW1 – SW9



AM IF ADJUSTMENT	
Adjust for a maximum reading on Level meter.	
T1	
455kHz	

LW FREQUENCY COVERAGE ADJUSTMENT	
Adjust for a maximum reading on Level meter.	
L5	CT3
137kHz	295kHz

LW TRACKING ADJUSTMENT	
Adjust for a maximum reading on Level meter.	
L2	CT2
155kHz	260kHz



- Preparation for SW band adjustment
After making sure that the MW band adjustment has completed, set the pointer to the center of character of 6.0, 7.2, 11.8 or 21.6MHz which is reference position of dial character, and fix the CV1 at this position.

() : Tourist model

- Repeat the procedures in each adjustment several times, and the frequency coverage and tracking adjustments should be finally done by the trimmer capacitors.

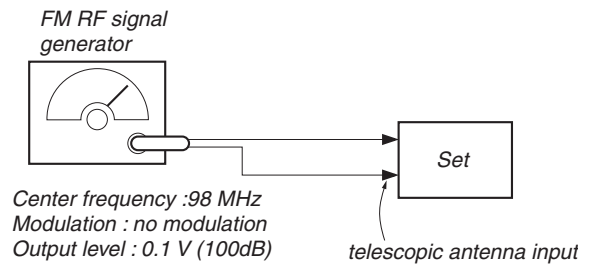
SW FREQUENCY CENTER ADJUSTMENT		
Adjust for a maximum reading on Level meter.		
SW1	L25	4.85MHz (3.88MHz)
SW2	L24	6MHz
SW3	L23	7.2MHz
SW4	L22	9.62MHz
SW5	L21	11.8MHz
SW6	L20	13.65MHz
SW7	L19	15.35MHz
SW8	L18	17.65MHz
SW9	L17	21.6MHz

1. After completion of SW1-9 adjustment, confirm that each center frequency +910kHz signal is received from AM reference signal generator.
2. If not received, readjust, then repeat 1.

() : Tourist model

[VCO Adjustment]

Procedure :



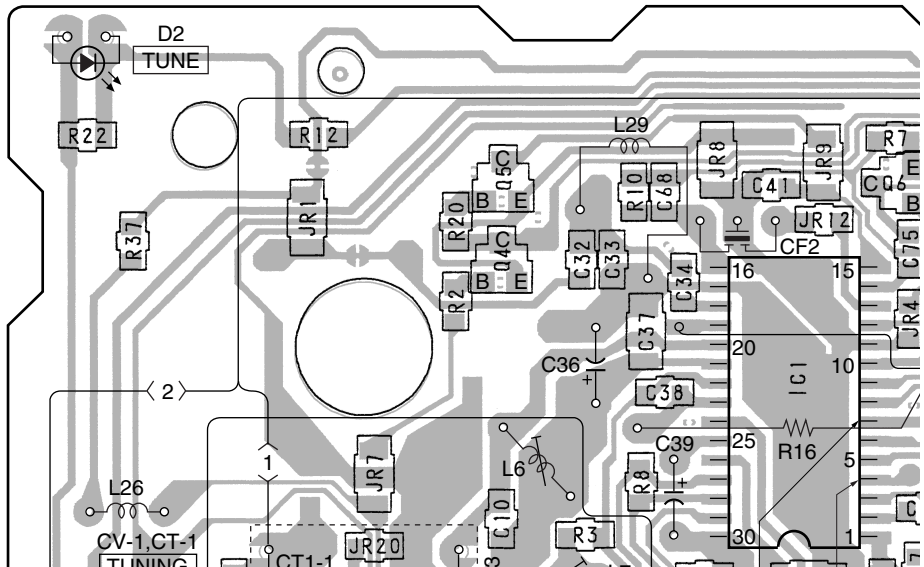
1. Insert the plug to Headphones jack (J1).
2. Connect frequency counter to the positions shown the figure right.
3. Tune the set to 98 MHz.
4. Adjust RV1 so that the frequency counter reading becomes 76,000Hz.

Specification Value :

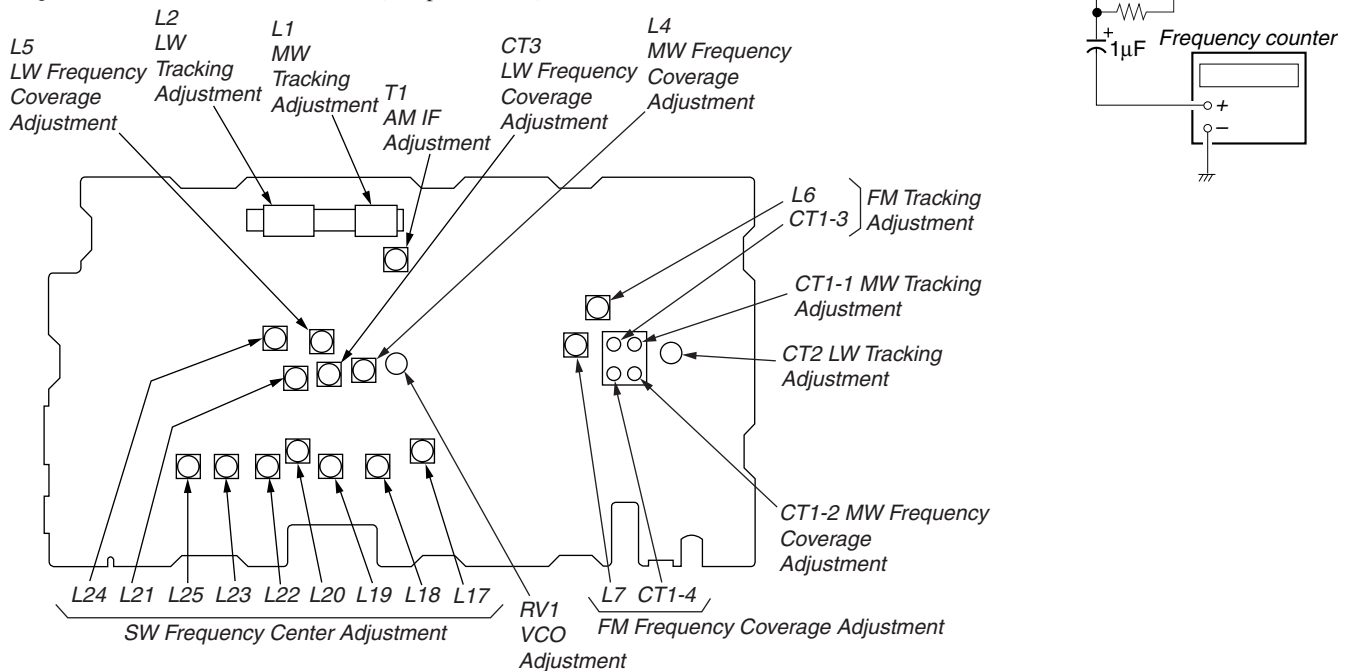
Frequency counter

75,950 – 76,050 Hz

MAIN BOARD (conductor side)



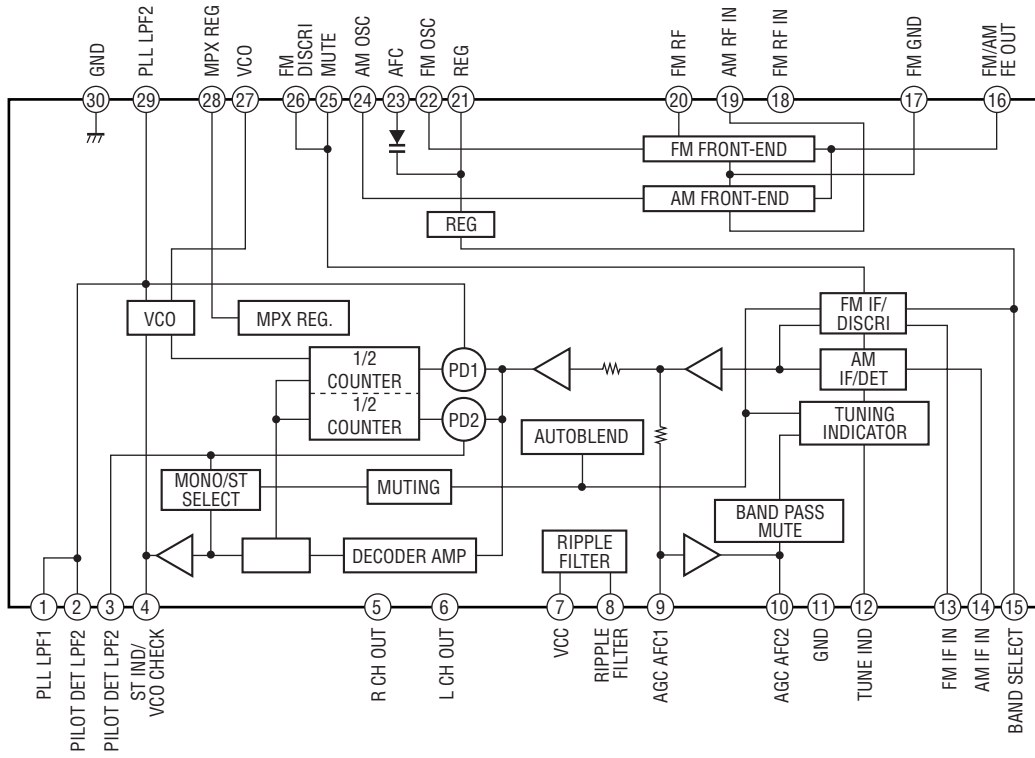
Adjustment Location : MAIN board (component side)



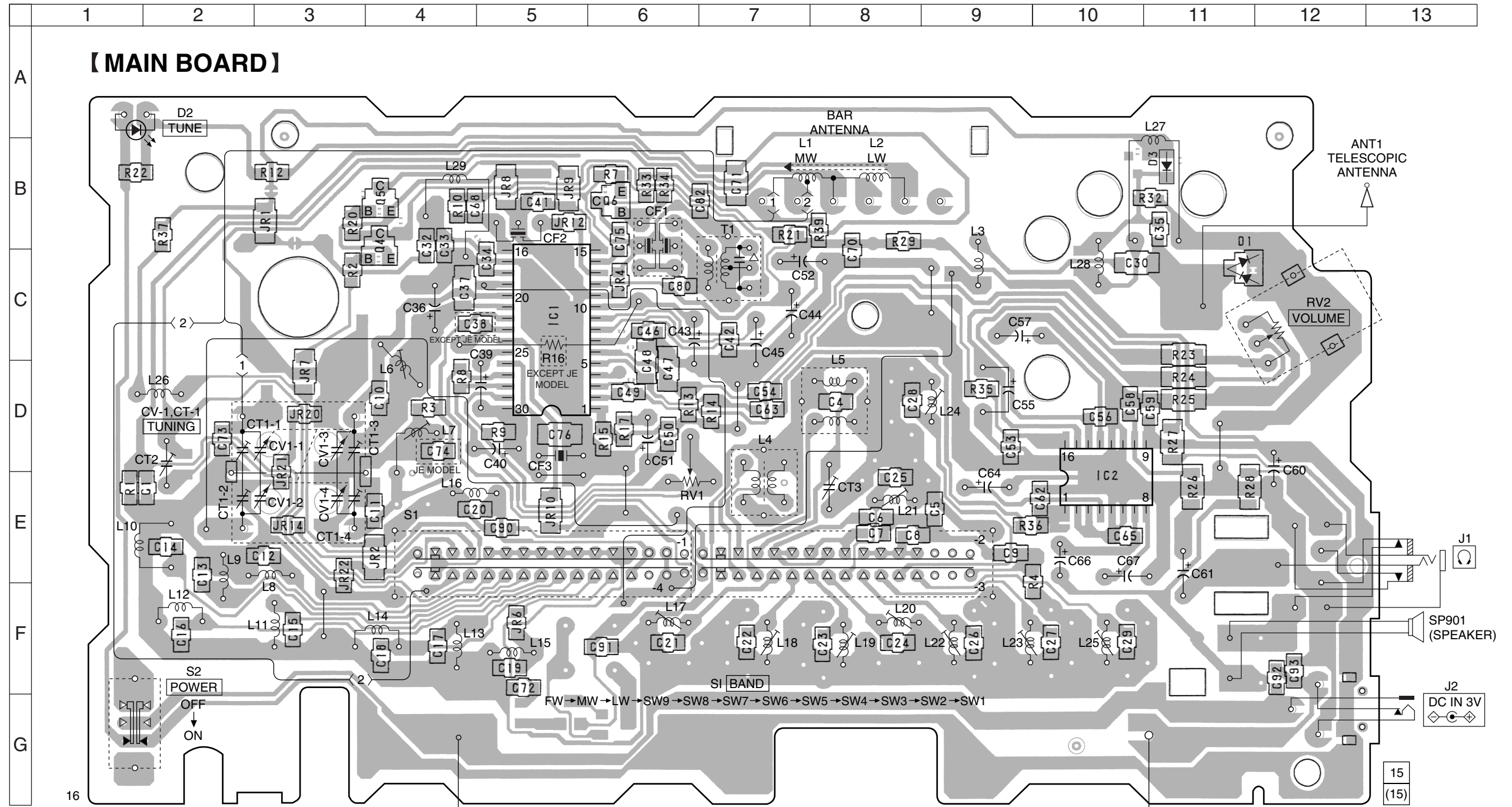
SECTION 4 DIAGRAMS

4-1. IC BLOCK DIAGRAM

IC1 CXA1238M-T6



4-2. PRINTED WIRING BOARD



DRY BATTERY
 SIZE "AA"
 (ICE DESIGNATION R6)
 2PCS, 3V

• Semiconductor Location

Ref. No.	Location
D1	C-11
D2	A-1
D3	B-11
IC1	C-5
IC2	D-10
Q4	B-4
Q5	B-4
Q6	B-6

Note on Printed Wiring Board:

- : parts extracted from the component side.
- ▨ : Pattern from the side which enables seeing.
- Abbreviation
 JE : Tourist model

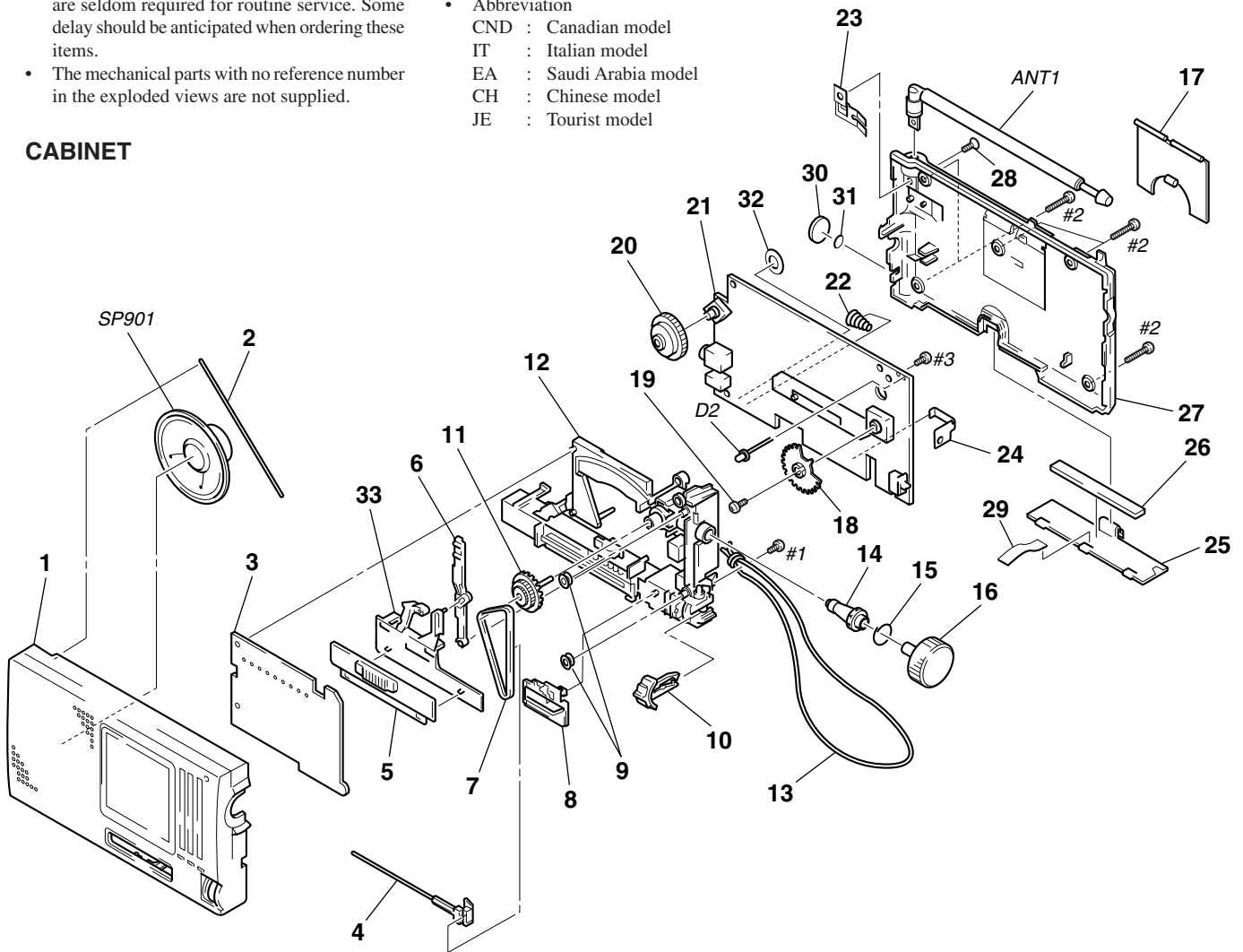
SECTION 5 EXPLODED VIEWS

Ver 1.1 2001. 10

NOTE:

- -XX, -X mean standardized parts, so they may have some differences from the original one.
- Items marked “*” are not stocked since they are seldom required for routine service. Some delay should be anticipated when ordering these items.
- The mechanical parts with no reference number in the exploded views are not supplied.
- Hardware (# mark) list and accessories and packing materials are given in the last of this parts list.
- Abbreviation
 CND : Canadian model
 IT : Italian model
 EA : Saudi Arabia model
 CH : Chinese model
 JE : Tourist model

CABINET



Ref. No.	Part No.	Description	Remarks	Ref. No.	Part No.	Description	Remarks
1	X-3377-979-1	CABINET (FRONT) ASSY (SILVER) (JE)		19	3-880-990-00	SCREW (1.7 × 3),FLAT,(+) SPECIAL	
1	X-3377-980-1	CABINET (FRONT) ASSY (GRAY) (CH)		20	3-380-913-01	KNOB(VOL)	
1	X-3377-981-1	CABINET (FRONT) ASSY (GRAY) (AEP,IT,E,EA)		* 21	A-3679-565-A	MAIN BOARD, COMPLETE(CND,AEP,IT,E,CH,EA)	
1	X-3377-982-1	CABINET (FRONT) ASSY (SILVER) (US,CND,AEP,IT,E,EA)		* 21	A-3679-765-A	MAIN BOARD, COMPLETE (JE)	
1	X-3378-083-1	CABINET (FRONT) ASSY (SILVER) (CH)		* 21	A-3683-132-A	MAIN BOARD, COMPLETE (US)	
* 2	3-911-534-01	SPRING, PLUG		22	3-043-282-01	TERMINAL (-), BATTERY	
3	3-039-997-01	SCALE, DIAL (US,CND,AEP,IT,E,CH,EA)		23	3-893-840-01	PLATE (ANTENNA), CONTACT	
3	3-039-997-11	SCALE, DIAL (JE)		24	3-382-006-01	TERMINAL, BATTERY	
4	3-039-998-01	POINTER		25	3-380-922-11	LID, BATTERY CASE	
5	3-039-999-01	KNOB(BAND)		26	3-312-059-11	CUSHION, BATTERY	
6	3-910-552-01	INDICATOR (A)		27	3-910-547-41	CABINET (REAR) (US,CND,AEP,IT,E,JE,EA)	
7	3-382-324-01	BELT(TUN)		27	3-910-547-31	CABINET (REAR) (CH)	
8	3-910-553-01	INDICATOR (B)		28	3-918-696-01	SCREW (M3 × 6 LOCK ACE)	
9	3-900-157-01	PULLEY		29	3-040-003-01	RIBBON (BATTERY CASE LID)	
10	3-040-002-01	KNOB(POWER)		30	3-040-964-01	COVER(DC) (CH)	
11	3-380-910-01	GEAR, MIDWAY		31	3-040-965-01	SHEET(COVER DC), ADHESIVE (CH)	
12	3-910-548-01	CHASSIS		32	3-563-515-01	WASHER(A), FIBER	
13	3-919-786-01	STRAP, HAND		33	3-040-000-01	BASE(BAND)	
14	3-380-908-01	SHAFT (TUN)		D2	8-719-812-41	DIODE GL3PR8 (TUNE)	
15	3-222-540-01	SPRING, RING		ANT1	1-501-222-81	ANTENNA, TELESCOPIC (FM)	
16	3-380-909-01	KNOB(TUN)		SP901	1-544-517-11	SPEAKER	
17	3-380-918-31	STAND		#1	7-685-105-19	TPG +P 2 × 8, TYPE 2, NON-SLIT	
18	3-380-914-01	GEAR(A), TUNING CAPACITOR		#2	7-685-138-19	SCREW +P 2.6 × 16 TYPE2 NON-SLIT	
				#3	7-685-134-19	SCREW +BTP 2.6 × 8 TYPE2 N-S	

**SECTION 6
ELECTRICAL PARTS LIST**

NOTE:

- Due to standardization, replacements in the parts list may be different from the parts specified in the diagrams or the components used on the set.
- -XX, -X mean standardized parts, so they may have some difference from the original one.
- Items marked "*" are not stocked since they are seldom required for routine service. Some delay should be anticipated when ordering these items.

- CAPACITORS:
uF: μ F
- RESISTORS
All resistors are in ohms.
METAL: metal-film resistor
METAL OXIDE: Metal Oxide-film resistor
F: nonflammable
- COILS
uH: μ H

- SEMICONDUCTORS
In each case, u: μ , for example:
uA...: μ A..., uPA..., μ PA...,
uPB..., μ PB..., uPC..., μ PC...,
uPD..., μ PD...
- Abbreviation
CND : Canadian model
IT : Italian model
EA : Saudi Arabia model
CH : Chinese model
JE : Tourist model

When indicating parts by reference number,
please include the board name.

Ref. No.	Part No.	Description	Remarks	Ref. No.	Part No.	Description	Remarks
*	A-3679-565-A	MAIN BOARD, COMPLETE (CND,AEP,IT,E,CH,EA)		C37	1-163-063-00	CERAMIC CHIP 0.022uF	50V
		*****		C38	1-163-087-00	CERAMIC CHIP 4PF	50V
*	A-3679-765-A	MAIN BOARD, COMPLETE (JE) *****				(US,CND,AEP,IT,E,CH,EA)	
		*****		C39	1-126-794-11	ELECT 4.7uF	20% 25V
*	A-3683-132-A	MAIN BOARD, COMPLETE (US) *****		C40	1-104-396-11	ELECT 10uF	20% 16V
		*****		C41	1-163-033-91	CERAMIC CHIP 0.022uF	50V
	3-831-441-99	CUSHION, STOPPER < CAPACITOR >		C42	1-164-346-11	CERAMIC CHIP 1uF	16V
				C43	1-126-794-11	ELECT 4.7uF	20% 25V
C1	1-163-137-00	CERAMIC CHIP 680PF	5% 50V	C44	1-126-794-11	ELECT 4.7uF	20% 25V
C4	1-163-377-11	CERAMIC CHIP 100PF	5% 50V	C45	1-104-396-11	ELECT 10uF	20% 16V
C5	1-163-103-00	CERAMIC CHIP 27PF	5% 50V	C46	1-163-033-91	CERAMIC CHIP 0.022uF	50V
C6	1-163-110-00	CERAMIC CHIP 51PF	5% 50V	C47	1-163-074-00	CERAMIC CHIP 0.033uF	50V
C7	1-163-248-11	CERAMIC CHIP 75PF	5% 50V	C48	1-163-074-00	CERAMIC CHIP 0.033uF	50V
C8	1-163-249-11	CERAMIC CHIP 82PF	5% 50V	C49	1-164-346-11	CERAMIC CHIP 1uF	16V
C9	1-163-115-00	CERAMIC CHIP 82PF	5% 50V	C50	1-164-005-11	CERAMIC CHIP 0.47uF	25V
C10	1-163-102-00	CERAMIC CHIP 24PF	5% 50V	C51	1-126-794-11	ELECT 4.7uF	20% 25V
C11	1-163-097-00	CERAMIC CHIP 15PF	5% 50V (JE)	C52	1-126-382-11	ELECT 100uF	20% 6.3V
C11	1-163-103-00	CERAMIC CHIP 27PF	5% 50V (US,CND,AEP,IT,E,CH,EA)	C53	1-163-031-11	CERAMIC CHIP 0.01uF	50V
				C54	1-163-038-91	CERAMIC CHIP 0.1uF	25V
C12	1-163-096-00	CERAMIC CHIP 13PF	5% 50V	C55	1-104-396-11	ELECT 10uF	20% 16V
C13	1-163-231-11	CERAMIC CHIP 15PF	5% 50V	C56	1-164-005-11	CERAMIC CHIP 0.47uF	25V
C14	1-163-091-00	CERAMIC CHIP 8PF	50V	C57	1-126-794-11	ELECT 4.7uF	20% 25V
C15	1-163-227-11	CERAMIC CHIP 10PF	0.5PF 50V	C58	1-164-346-11	CERAMIC CHIP 1uF	16V
C16	1-163-227-11	CERAMIC CHIP 10PF	0.5PF 50V	C59	1-164-005-11	CERAMIC CHIP 0.47uF	25V
				C60	1-126-935-11	ELECT 470uF	20% 6.3V
C17	1-163-096-00	CERAMIC CHIP 13PF	5% 50V	C61	1-126-382-11	ELECT 100uF	20% 6.3V
C18	1-163-227-11	CERAMIC CHIP 10PF	0.5PF 50V	C62	1-163-031-11	CERAMIC CHIP 0.01uF	50V
C19	1-163-092-00	CERAMIC CHIP 9PF	0.25PF 50V	C63	1-163-038-91	CERAMIC CHIP 0.1uF	25V
C20	1-163-224-11	CERAMIC CHIP 7PF	0.25PF 50V (JE)	C64	1-126-794-11	ELECT 4.7uF	20% 25V
C20	1-163-227-11	CERAMIC CHIP 10PF	0.5PF 50V (US,CND,AEP,IT,E,CH,EA)	C65	1-164-346-11	CERAMIC CHIP 1uF	16V
				C66	1-126-935-11	ELECT 470uF	20% 6.3V
C21	1-163-113-00	CERAMIC CHIP 68PF	5% 50V	C67	1-104-396-11	ELECT 10uF	20% 16V
C22	1-163-108-00	CERAMIC CHIP 43PF	5% 50V	C68	1-163-251-11	CERAMIC CHIP 100PF	5% 50V
C23	1-163-105-00	CERAMIC CHIP 33PF	5% 50V	C70	1-163-033-91	CERAMIC CHIP 0.022uF	50V
C24	1-163-367-11	CERAMIC CHIP 39PF	5% 50V	C71	1-163-063-00	CERAMIC CHIP 0.022uF	50V
C25	1-163-102-00	CERAMIC CHIP 24PF	5% 50V	C72	1-163-033-91	CERAMIC CHIP 0.022uF	50V
				C73	1-163-087-00	CERAMIC CHIP 4PF	50V
C26	1-163-100-00	CERAMIC CHIP 20PF	5% 50V	C74	1-163-085-00	CERAMIC CHIP 2PF	50V (JE)
C27	1-163-102-00	CERAMIC CHIP 24PF	5% 50V	C75	1-163-033-91	CERAMIC CHIP 0.022uF	50V
C28	1-163-100-00	CERAMIC CHIP 20PF	5% 50V	C80	1-163-033-91	CERAMIC CHIP 0.022uF	50V
C29	1-163-093-00	CERAMIC CHIP 10PF	5% 50V	C82	1-164-346-11	CERAMIC CHIP 1uF	16V
C30	1-163-063-00	CERAMIC CHIP 0.022uF	50V				
				C90	1-163-009-11	CERAMIC CHIP 0.001uF	10% 50V(US)
C32	1-163-251-11	CERAMIC CHIP 100PF	5% 50V	C90	1-163-129-00	CERAMIC CHIP 330PF	5% 50V (CND,AEP,IT,E,JE,CH,EA)
C33	1-163-108-00	CERAMIC CHIP 43PF	5% 50V				
C34	1-163-251-11	CERAMIC CHIP 100PF	5% 50V	C91	1-163-009-11	CERAMIC CHIP 0.001uF	10% 50V(US)
C35	1-163-251-11	CERAMIC CHIP 100PF	5% 50V	C91	1-163-129-00	CERAMIC CHIP 330PF	5% 50V (CND,AEP,IT,E,JE,CH,EA)
C36	1-104-396-11	ELECT 10uF	20% 16V				
				C92	1-163-009-11	CERAMIC CHIP 0.001uF	10% 50V
				C93	1-163-009-11	CERAMIC CHIP 0.001uF	10% 50V

Ref. No.	Part No.	Description	Remarks	Ref. No.	Part No.	Description	Remarks
		< FILTER >		L14	1-408-410-00	INDUCTOR 12uH	
CF1	1-577-317-11	FILTER, CERAMIC		L15	1-408-412-00	INDUCTOR 18uH	
CF2	1-760-238-71	FILTER, CERAMIC		L16	1-408-608-31	INDUCTOR 27uH (US,CND,AEP,IT,E,CH,EA)	
CF3	1-760-238-71	FILTER, CERAMIC		L16	1-408-611-31	INDUCTOR 47uH (JE)	
		< TRIMMER >		L17	1-409-895-11	COIL (OSC)	
CT2	1-141-411-11	CAP, ADJ 20PF		L18	1-409-515-11	COIL (OSC)	
CT3	1-141-411-11	CAP, ADJ 20PF		L19	1-409-514-11	COIL (OSC)	
CT1	1-141-550-11	CAP, VAR (INCLUDING CV1) (JE)		L20	1-409-513-11	COIL (OSC)	
CT1	1-151-636-11	CAP, VAR (INCLUDING CV1) (US,CND,AEP,IT,E,CH,EA)		L21	1-409-512-11	COIL (OSC)	
		< VARIABLE CAPACITOR >		L22	1-409-511-11	COIL (OSC)	
CV1	1-141-550-11	CAP, VAR (JE)		L23	1-409-510-11	COIL (OSC)	
CV1	1-151-636-11	CAP, VAR (US,CND,AEP,IT,E,CH,EA)		L24	1-409-509-11	COIL (OSC)	
		< DIODE >		L25	1-409-508-11	COIL (OSC) (US,CND,AEP,IT,E,CH,EA)	
D1	8-719-800-76	DIODE 1SS226		L25	1-411-856-11	COIL (OSC) (JE)	
D2	8-719-812-41	DIODE GL3PR8 (TUNE)		L26	1-414-142-61	INDUCTOR 1uH	
D3	8-719-921-22	DIODE 1SS277		L27	1-414-167-11	INDUCTOR 1mH	
		< IC >		L28	1-414-167-11	INDUCTOR 1mH	
IC1	8-752-062-48	IC CXA1238M-T6		L29	1-428-769-11	COIL, AIR-CORE	
IC2	8-752-064-80	IC CXA1522M				< TRANSISTOR >	
		< JACK >		Q4	8-729-120-28	TRANSISTOR 2SC1623-L5L6	
J1	1-566-891-11	JACK (HEADPHONE)		Q5	8-729-120-28	TRANSISTOR 2SC1623-L5L6	
J2	1-764-799-11	JACK, EXTERNAL POWER (DC IN 3V)		Q6	8-729-120-28	TRANSISTOR 2SC1623-L5L6	
		< JUMPER RESISTOR >				< RESISTOR >	
JR1	1-216-296-91	SHORT 0		R1	1-216-065-91	RES,CHIP 4.7K 5% 1/10W	
JR2	1-216-296-91	SHORT 0		R2	1-216-115-00	METAL CHIP 560K 5% 1/10W	
JR4	1-216-295-91	SHORT 0		R3	1-216-061-00	METAL CHIP 3.3K 5% 1/10W	
JR6	1-216-295-91	SHORT 0		R4	1-216-073-00	METAL CHIP 10K 5% 1/10W	
JR7	1-216-296-91	SHORT 0		R7	1-216-025-91	RES,CHIP 100 5% 1/10W	
JR8	1-216-296-91	SHORT 0		R8	1-216-073-00	METAL CHIP 10K 5% 1/10W	
JR9	1-216-296-91	SHORT 0		R9	1-216-105-91	RES,CHIP 220K 5% 1/10W	
JR10	1-216-296-91	SHORT 0		R10	1-216-057-00	METAL CHIP 2.2K 5% 1/10W	
JR12	1-216-295-91	SHORT 0		R12	1-216-049-91	RES,CHIP 1K 5% 1/10W	
JR14	1-216-295-91	SHORT 0		R13	1-216-061-00	METAL CHIP 3.3K 5% 1/10W	
JR20	1-216-295-91	SHORT 0		R14	1-216-061-00	METAL CHIP 3.3K 5% 1/10W	
JR21	1-216-295-91	SHORT 0		R15	1-216-105-91	RES,CHIP 220K 5% 1/10W	
JR22	1-216-295-91	SHORT 0		R16	1-247-883-00	CARBON 150K 5% 1/4W (US,CND,AEP,IT,E,CH,EA)	
		< COIL >		R17	1-216-057-00	METAL CHIP 2.2K 5% 1/10W	
L1	1-501-683-11	ANTENNA, FERRITE-ROD (LW/MW)		R20	1-216-105-91	RES,CHIP 220K 5% 1/10W	
L2	1-501-683-11	ANTENNA, FERRITE-ROD (LW/MW)		R21	1-216-089-91	RES,CHIP 47K 5% 1/10W	
L3	1-414-142-61	INDUCTOR 1uH		R22	1-216-073-00	METAL CHIP 10K 5% 1/10W	
L4	1-406-028-00	COIL, OSC (MW)		R23	1-216-198-91	RES,CHIP 1K 5% 1/8W	
L5	1-416-749-11	COIL (LW OSC)		R24	1-216-198-91	RES,CHIP 1K 5% 1/8W	
L6	1-428-768-11	COIL, AIR-CORE (US,CND,AEP,IT,E,CH,EA)		R25	1-216-206-00	RES,CHIP 2.2K 5% 1/8W	
L6	1-428-840-11	COIL, AIR-CORE (JE)		R26	1-216-174-00	RES,CHIP 100 5% 1/8W	
L7	1-406-042-00	COIL, FM OSC (US,CND,AEP,IT,E,CH,EA)		R27	1-216-234-00	RES,CHIP 33K 5% 1/8W	
* L7	1-422-202-11	COIL (AIR-CORE) (JE)		R28	1-216-174-00	RES,CHIP 100 5% 1/8W	
L8	1-408-592-11	INDUCTOR 1.2uH		R29	1-216-001-00	METAL CHIP 10 5% 1/10W	
L9	1-408-594-21	INDUCTOR 1.8uH		R32	1-216-093-91	RES,CHIP 68K 5% 1/10W	
L10	1-408-596-31	INDUCTOR 2.7uH		R33	1-216-033-00	METAL CHIP 220 5% 1/10W	
L11	1-408-597-31	INDUCTOR 3.3uH		R34	1-216-099-00	METAL CHIP 120K 5% 1/10W	
L12	1-408-599-31	INDUCTOR 4.7uH		R35	1-216-049-91	RES,CHIP 1K 5% 1/10W	
L13	1-408-601-31	INDUCTOR 6.8uH		R36	1-216-049-91	RES,CHIP 1K 5% 1/10W	
				R37	1-216-037-00	METAL CHIP 330 5% 1/10W	
				R39	1-216-051-00	METAL CHIP 1.2K 5% 1/10W	

MAIN

Ref. No.	Part No.	Description	Remarks
		< VARIABLE RESISTOR >	
RV1	1-228-995-00	RES, ADJ, METAL22K	
RV2	1-238-555-11	RES, VAR, CARBON 50K	
		< SWITCH >	
S1	1-692-846-11	SWITCH, SLIDE (BAND)	
S2	1-571-850-81	SWITCH, SLIDE (POWER)	
		< TRANSFORMER >	
T1	1-416-021-11	COIL (AM IFT)	

		MISCELLANEOUS	

ANT1	1-501-222-81	ANTENNA, TELESCOPIC (FM)	
SP901	1-544-517-11	SPEAKER	

		ACCESSORIES	

3-048-851-11		MANUAL, INSTRUCTION (ENGLISH,FRENCH,GERMAN,SPANISH,DUTCH, SWEDISH,ITALIAN,PORTUGUESE) (US,CND,AEP,IT)	
3-048-851-21		MANUAL, INSTRUCTION (DANISH,FINNISH,POLISH,HUNGARIAN, RUSSIAN)(AEP)	
3-867-546-01		MANUAL, INSTRUCTION (JAPANESE,ENGLISH,KOREAN,CHINESE)(JE,CH)	
3-867-546-11		MANUAL, INSTRUCTION (ENGLISH,FRENCH,GERMAN,SPANISH,DUTCH, SWEDISH,ITALIAN,PORTUGUESE) (US,CND,AEP,IT)	
3-867-546-21		MANUAL, INSTRUCTION (DANISH,FINNISH,POLISH,HUNGARIAN, RUSSIAN)(AEP)	
3-867-546-31		MANUAL, INSTRUCTION (ENGLISH,FRENCH,GERMAN,SPANISH, PORTUGUESE,KOREAN,ARABIC)(E,EA)	
3-912-863-06		GUIDE, SHORT WAVE	

MEMO

