

ICF-SW15

SERVICE MANUAL

本资料由OKXIA视听皮带资源库www.okxia.cn提供

US Model
Canadian Model
AEP Model
UK Model
E Model
Australian Model
Tourist Model



SPECIFICATIONS

Frequency range	FM: 76–108 MHz (US, Canadian, E, Australian, Tourist models) 87.6–107.5 MHz (AEP, UK, Italian, Saudi Arabia models)
	IF: 10.7 MHz
	SW1: 5.775–6.425 MHz
	SW2: 6.875–7.525 MHz
	SW3: 9.375–10.025 MHz
	SW4: 11.615–12.265 MHz
	SW5: 15.00–15.65 MHz
	SW6: 17.50–18.15 MHz
	SW7: 21.325–21.975 MHz
	1st IF: 10.7 MHz
	2nd IF: 455 kHz
	MW: 530–1,710 kHz (US, Canadian, E, Australian, Tourist models) 531–1,602 kHz (AEP, UK, Italian, Saudi Arabia models)
	IF: 455 kHz
Antenna	FM/SW: Telescopic antenna MW: Built-in ferrite bar antenna
Speaker	Approx. 6.6 cm (2½ inches) dia. 4Ω
Power output	260 mW (at 10% harmonic distortion)
Output	Earphone jack (minijack)
Power requirements	4.5 V DC, three R6 (size AA) batteries DC IN 4.5 V jack accepts: AC power adaptor AC-E45M (not supplied) Car battery cord DCC-E145L (not supplied)
Battery life	Approx. 27 hours with Sony SUM-3 (NS)
Dimensions	Approx. 165 × 99 × 35 mm (w/h/d) (6½ × 4 × 1¼ inches)
Weight	Approx. 380 g (13.4 oz) incl. batteries
Supplied accessories	Carrying case (1), Short wave guide (1)

Accessories not supplied AC power adaptor *AC-E45M
Car battery cord DCC-E145L
LW/MW/SW wide range antenna AN-1
Earphone ME-81

* The voltage of power supply is different depending on the country. Please buy an AC power adaptor in the country where the radio is to be used.

Design and specifications subject to change without notice.



Features

- FM/MW/SW1-7 9 band receiver with high sensitivity and selectivity.
- Band spread system enables you to easily tune in SW stations.
- Dual conversion circuit effectively reduces SW bands interference from other SW stations.

NOTE: ALL CORRECTIONS AND SUPPLEMENTS ARE ATTACHED TO THE BACK OF THE MANUAL.

Notes

- When the AC power adaptor is not used, be sure to unplug it both from the DC IN 4.5 V jack and from a wall outlet.
- Use only the AC power adaptor AC-E45M (not supplied). Do not use any other AC power adaptor.



Polarity of the plug

FM/MW/SW1-7
9 BAND RECEIVER
SONY®

ICF-SW15

SERVICE MANUAL

*US Model
Canadian Model
AEP Model
UK Model
E Model
Australian Model
Tourist Model*



SPECIFICATIONS

Frequency range	SW	3.5 - 18.75 MHz (USA, Canada, E. Asia, Mexico, Turkey, India, etc.) 3.5 - 18.75 MHz (EU, UK, Japan, South Korea, Brazil)
	FM	87.5 - 108 MHz
	AM (MW)	530 - 1700 kHz
	AM (SW)	1500 - 1700 kHz
	AM (LW)	150 - 300 kHz
	AM (MW)	530 - 1700 kHz
	AM (SW)	1500 - 1700 kHz
	AM (LW)	150 - 300 kHz
	AM (SW)	3.5 - 18.75 MHz
	AM (LW)	150 kHz
	AM (MW)	530 - 1700 kHz (USA, Canada, E. Asia, Mexico, Turkey, India, etc.) 530 - 1700 kHz (EU, UK, Japan, South Korea, Brazil)
	FM	87.5 - 108 MHz
Antenna	External: telescopic antenna Internal: ferrite core antenna	
Speaker	Dynamic 8 Ohm (2W output @ 100 mV/cm) (SW receiver only)	
Power output	100 mW (SW receiver only)	
Output	Speaker (see previous)	
Power requirements	AA (1.5V) (500mAh) (SW and external DC 6V 4.5V (SW only) AC power adapter (SW receiver only) Dry battery (see SW15-11-01, (see SW15-11-01))	
Battery life	Approx. 20 hours (SW) (SW) (SW)	
Dimensions	100mm (W) x 100mm (H) x 30mm (D)	
Weight	Approx. 100g (SW) (SW) (SW)	
Optional accessories	Carrying case (SW15-11-01) (see SW15-11-01)	
Accessories not supplied (see previous pages) (SW) (SW)	Carrying case (SW15-11-01) External power supply (SW15-11-01) External power supply (SW15-11-01) External power supply (SW15-11-01)	

Features

- Earphone/earpiece connection with high sensitivity and selectivity.
- Headset system enables you to easily listen in the station.
- Dual conversion circuit effectively reduces the noise interference from other SW stations.

NOTE: ALL CORRECTIONS AND SUPPLEMENTS ARE ATTACHED TO THE BACK OF THE MANUAL.

NOTE

- When the AC power adapter is not used, be sure to check that the battery is fully charged before use.
- Always use the AC power adapter (SW15-11-01) (see SW15-11-01) when used.



**FM/MW/SW-1
9 BAND RECEIVER**

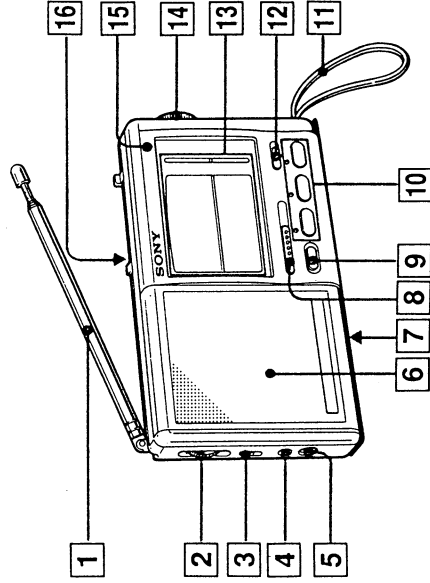
SONY



* The ratings of power supply is different depending on the country. Please refer to the AC power adapter to be included when the radio is to be used.

Design and specifications subject to change without notice.

Parts Identification

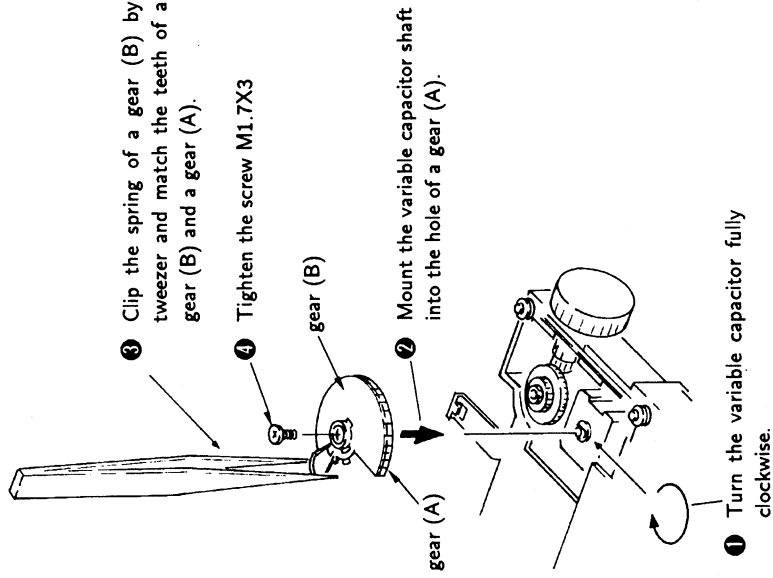


- 1 Telescopic antenna
- 2 VOLUME control
- 3 TONE (MUSIC/NEWS) selector
MUSIC: for listening to the music
NEWS: for listening to news, etc.
- 4 Ⓢ (earphone) jack
- 5 DC IN 4.5 V (external power input) jack
- 6 Speaker
- 7 Battery compartment (bottom)
- 8 SW BAND SELECTOR
- 9 OFF (power off) button
- 10 POWER ON/BAND FMM/WW/SW buttons and indicators
When you press one of the buttons, the unit is turned on and the indicator lights up.
- 11 Hand strap
- 12 HOLD switch
Slide it in the direction of the arrow (HOLD):
When listening, to avoid accidental change of the functions.
When not using, to prevent accidental pressing to turn the power on.
- 13 Dial scales
- 14 TUNING control
- 15 TUNE (tuning) Indicator
The indicator lights up when a signal is received.
- 16 Stand (rear)

B How to use the stand

SECTION 1 DIAL POINTER SETTING

Note: Follow the assembly procedure in the numerical order given.

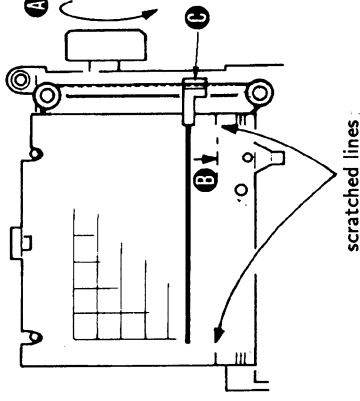
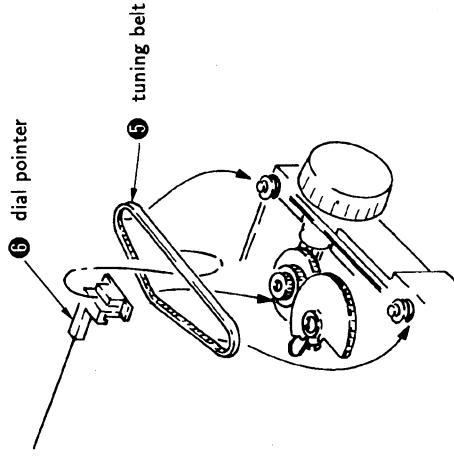


3 Clip the spring of a gear (B) by tweezers and match the teeth of a gear (B) and a gear (A).

4 Tighten the screw M1.7X3

2 Mount the variable capacitor shaft into the hole of a gear (A).

1 Turn the variable capacitor fully clockwise.



7 First, turn the tuning shaft fully in the arrow A direction. Move only the dial pointer in the arrow B direction and set it on the scratched lines on the dial scale plate. Apply suitable locking compound to C portion.

Parts Identification

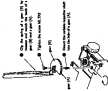


- 1. Dial pointer
- 2. Dial pointer nut
- 3. Dial pointer washer
- 4. Dial pointer spring
- 5. Dial pointer spring cap
- 6. Dial pointer spring cap nut
- 7. Dial pointer spring cap washer
- 8. Dial pointer spring cap lock
- 9. Dial pointer spring cap lock nut
- 10. Dial pointer spring cap lock washer
- 11. Dial pointer spring cap lock lock

© 2008 by the manufacturer

SECTION 1 DIAL POINTER SETTING

Step 1 Follow the assembly procedure in the assembled probe glass.



- 1. Slip the spring of a pen (1) in between and push the back of a pen (2) and a pen (3).
- 2. Tighten the screw (4) (1).
- 3. Remove the dial pointer nut from the back of a pen (4).

- 4. Turn the variable capacitor fully clockwise.



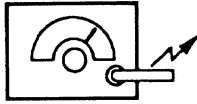
- 5. First, turn the tuning knob fully in the counter-clockwise direction. Then only the dial pointer in the counter-clockwise direction and set it on the marked line of the dial scale plate. Fully clockwise turning improved to 0 percent.

SECTION 2 ELECTRICAL ADJUSTMENTS

[MW SECTION]

BAND switch : MW

AM rf signal generator



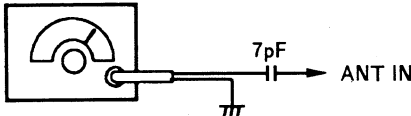
put the lead-wire antenna close to the set

30% amplitude modulation by 400Hz signal
Output level : as low as possible

[SW SECTION]

BAND switch : SW

AM rf signal generator

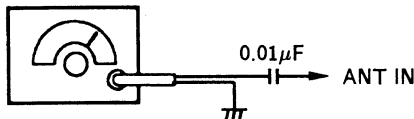


30% amplitude modulation by 400Hz signal
Output level : as low as possible

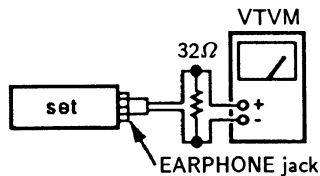
[FM SECTION]

BAND switch : FM

FM rf signal generator



400Hz, 30% FM modulation
frequency deviation ± 22.5 kHz
Output level : as low as possible



- Repeat the procedures in each adjustment several times, and the frequency coverage and tracking adjustments should be finally done by the trimmer capacitors.
- SW1 to 7 Tracking Adjustment frequencies are in a line on the scale.
Therefore, on adjusting, first SW1 6.1 MHz and after adjust SW2 to 7 Tracking without moving the dial pointer.

() : AEP, UK, Germany, Italian, Saudi Arabian model

MW IF ADJUSTMENT	
Adjust for a maximum reading on VTVM.	
T3	455 kHz

MW FREQUENCY COVERAGE ADJUSTMENT	
Adjust for a maximum reading on VTVM.	
L15	520 kHz
CT2-3	1750 kHz (1650 kHz)

MW TRACKING ADJUSTMENT	
Adjust for a maximum reading on VTVM.	
L12	620 kHz
CT2-4	1400 kHz

SW IF (1) ADJUSTMENT	
Adjust for a maximum reading on VTVM.	
T1	10.6 MHz

SW IF (2) ADJUSTMENT	
Adjust for a maximum reading on VTVM.	
T2	455 kHz

SW1 FREQUENCY COVERAGE ADJUSTMENT	
Adjust for a maximum reading on VTVM.	
T4	5.75 MHz
CT1	6.45 MHz

SW1 TRACKING ADJUSTMENT	
Adjust for a maximum reading on VTVM.	
L1	6.1 MHz

SW2 TRACKING ADJUSTMENT	
Adjust for a maximum reading on VTVM.	
L2	7.2 MHz

SW3 TRACKING ADJUSTMENT	
Adjust for a maximum reading on VTVM.	
L3	9.7 MHz

SW4 TRACKING ADJUSTMENT	
Adjust for a maximum reading on VTVM.	
L4	11.94 MHz

SECTION 2 ELECTRICAL ADJUSTMENTS

[MW SECTION]

BASED vehicle - MW

Add 4 signal
ground(s)



per the lead wire
reference value for
MW

MW amplifier
connected to battery signal
Output lead 1 on line or ground

[SW SECTION]

BASED vehicle - SW

Add 4 signal
ground(s)



SW amplifier installation
to battery signal
Output lead 1 on line or ground

[FM SECTION]

BASED vehicle - FM

Fit 4 signal
ground(s)



SW, MW, FM installation
Reference System 2.0.0.0.0.0
Output lead 1 on line or ground



Follow the procedure for each adjustment several times,
and the frequency coverage and tracking adjustments
should be finally done by the listener operation.

FMW to F Tracking Adjustment Response set to a line
on the scale.

Therefore, on adjusting, first FWS 6.1 MHz and after
adjust FWS to F Tracking without moving the dial
pointer.

() : AM, UK, Germany, Italia, South African model

MW F ADJUSTMENT

Adjust for a maximum reading on VTYM.

TR	600 kHz
----	---------

MW FREQUENCY COVERAGE ADJUSTMENT

Adjust for a maximum reading on VTYM.

L1	500 kHz
O2L2	1700 kHz (200-2000)

MW TRACKING ADJUSTMENT

Adjust for a maximum reading on VTYM.

L2	500 kHz
O2L2	1400 kHz

SW F ADJUSTMENT

Adjust for a maximum reading on VTYM.

TR	6.0 MHz
----	---------

SW F (2) ADJUSTMENT

Adjust for a maximum reading on VTYM.

TR	6.0 MHz
----	---------

SW FREQUENCY COVERAGE ADJUSTMENT

Adjust for a maximum reading on VTYM.

TR	5.75 MHz
O2L2	6.4 MHz

SW TRACKING ADJUSTMENT

Adjust for a maximum reading on VTYM.

L1	6.1 MHz
----	---------

SW TRACKING ADJUSTMENT

Adjust for a maximum reading on VTYM.

L2	7.0 MHz
----	---------

SW TRACKING ADJUSTMENT

Adjust for a maximum reading on VTYM.

L2	6.7 MHz
----	---------

SW TRACKING ADJUSTMENT

Adjust for a maximum reading on VTYM.

L2	6.6 MHz
----	---------

SW5 TRACKING ADJUSTMENT	
Adjust for a maximum reading on VTVM.	
L5	15.325 MHz

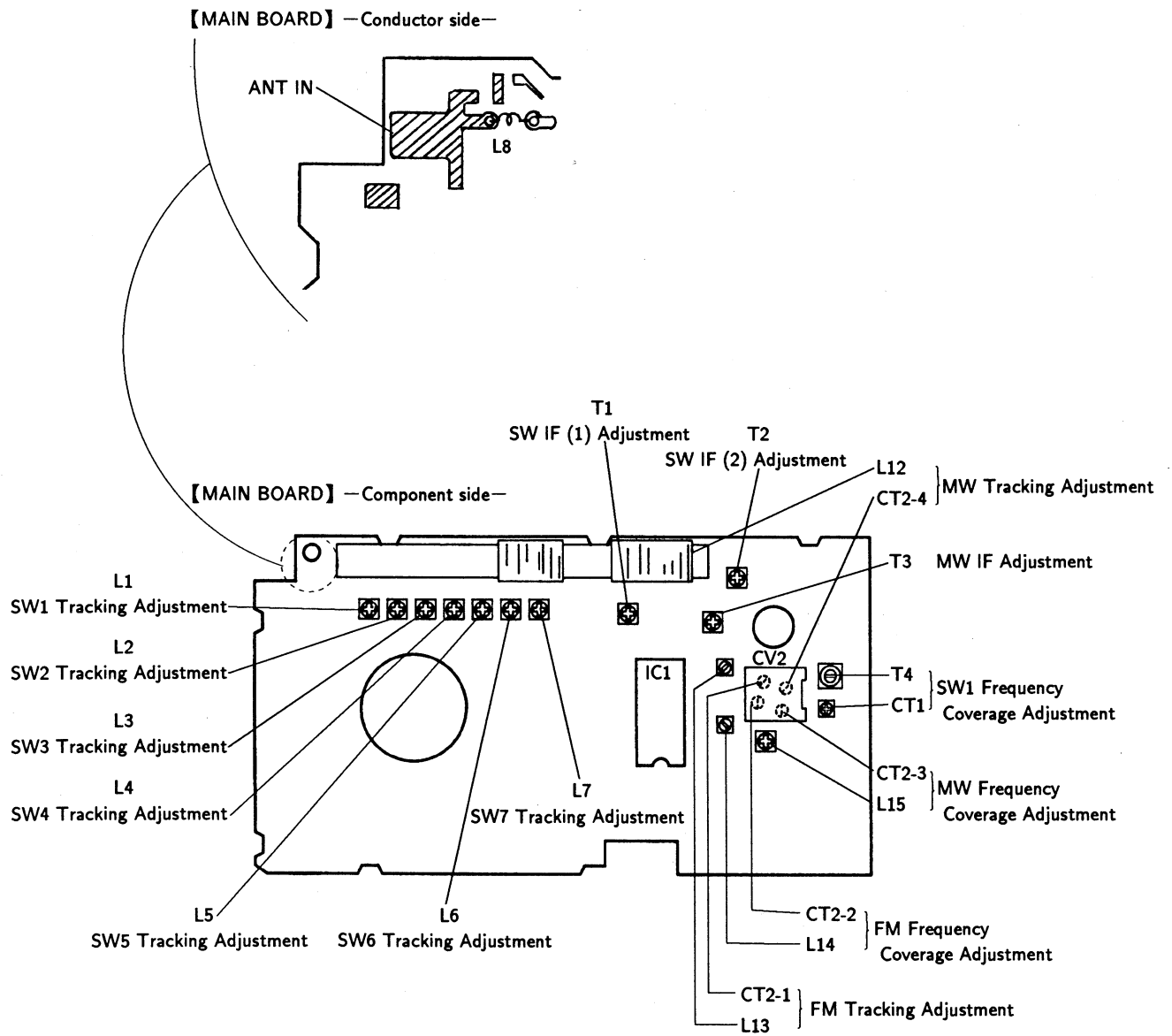
SW6 TRACKING ADJUSTMENT	
Adjust for a maximum reading on VTVM.	
L6	17.825 MHz

SW7 TRACKING ADJUSTMENT	
Adjust for a maximum reading on VTVM.	
L7	21.65 MHz

FM FREQUENCY COVERAGE ADJUSTMENT	
Adjust for a maximum reading on VTVM.	
L14	75.0 MHz (87.35 MHz)
CT2-2	109.5 MHz (108.05 MHz)

FM TRACKING ADJUSTMENT	
Adjust for a maximum reading on VTVM.	
L13	80 MHz (87.35 MHz)
CT2-1	104 MHz (108.05 MHz)

ADJUSTMENT LOCATION



SWR TRACKING ADJUSTMENT	
Adjust for a maximum reading on Y179M	
L4	1.50K MHz

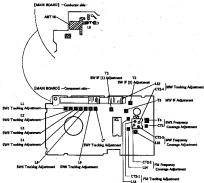
SWR TRACKING ADJUSTMENT	
Adjust for a maximum reading on Y179M	
L5	17.000 MHz

SWR TRACKING ADJUSTMENT	
Adjust for a maximum reading on Y179M	
L7	21.00 MHz

FM FREQUENCY COVERAGE ADJUSTMENT	
Adjust for a maximum reading on Y179M	
L24	75.0 MHz (74.00 MHz)
CT5-2	80.0 MHz (79.00 MHz)

FM TRACKING ADJUSTMENT	
Adjust for a maximum reading on Y179M	
L18	80 MHz (79.00 MHz)
CT5-1	84 MHz (83.00 MHz)

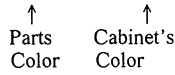
ADJUSTMENT LOCATION



SECTION 4 EXPLODED VIEW

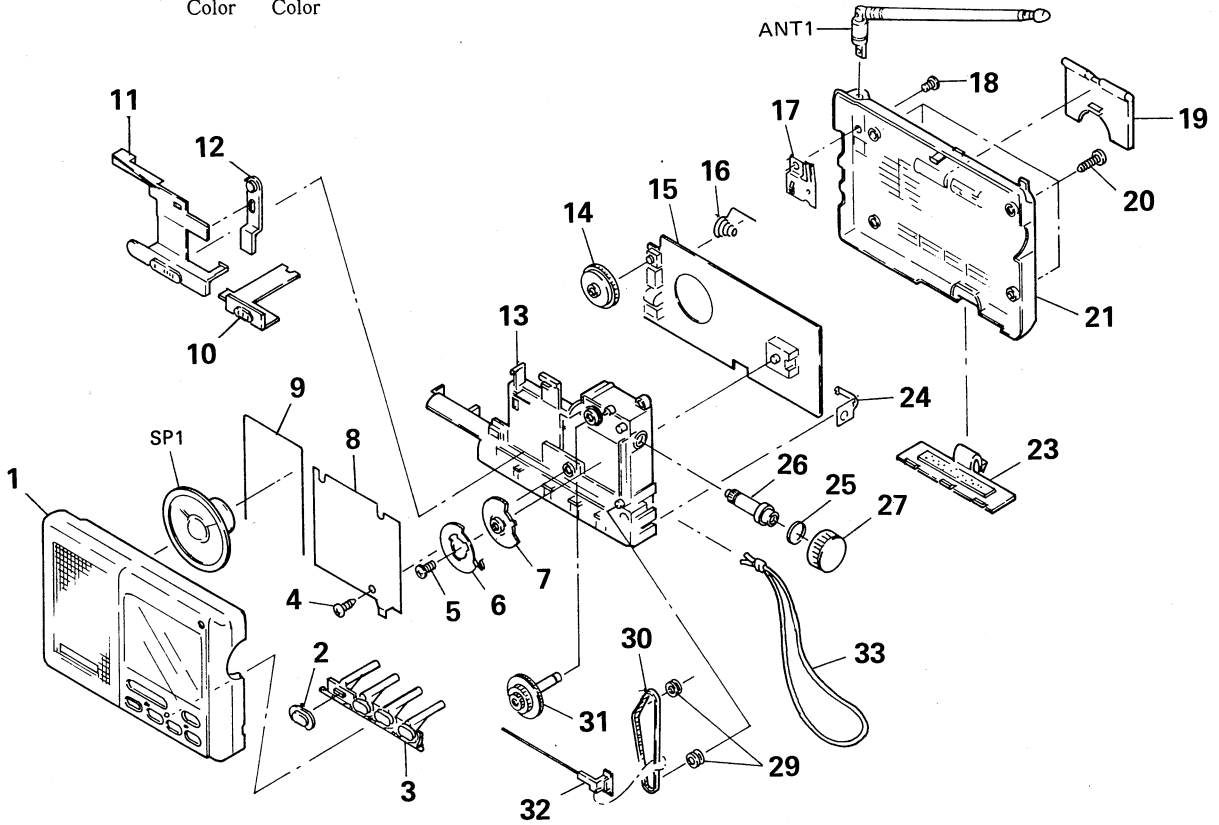
NOTE:

- -XX,-X mean standardized parts, so they may have some difference from the original one.
- Color indication of Appearance Parts.
Example:
KNOB,BALANCE (WHITE) ... (RED)



- Items marked "*" are not stocked since they are seldom required for routine service. Some delay should be anticipated when ordering these items.

- The mechanical parts with no reference number in the exploded views are not supplied.
- Hardware (# mark) list is given in the last of this parts list.

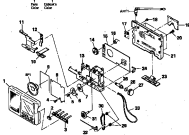


Ref. No.	Part No.	Description	Remark	Ref. No.	Part No.	Description	Remark
1	X-3365-618-1	CABINET (FRONT) ASSY (US, Canadian, E, TOURIST, Australian)		16	3-382-322-01	TERMINAL (MINUS), BATTERY	
1	X-3365-619-1	CABINET (FRONT) ASSY (AEP, Germany, UK, Italian, Saudi Arabia)		17	3-382-005-01	PLATE, CONTACT, ANTENNA	
2	3-380-912-01	BUTTON (OFF)		18	7-627-556-37	SCREW, PRECISION +P2. 6X4 TYPE 1	
3	3-380-923-01	BAND, BUTTON		19	3-380-918-01	STAND	
4	7-685-131-19	SCREW +P 2. 6X4 TYPE2 NON-SLIT		20	7-685-138-19	SCREW +P 2. 6X16 TYPE2 NON-SLIT	
5	3-880-990-00	SCREW (1. 7X3), FLAT, (+) SPECIAL		21	3-380-925-01	CABINET (REAR)	
6	3-382-003-01	GEAR (B), TUNING CAPACITOR		23	3-380-922-01	LID, BATTERY CASE	
7	3-380-914-01	GEAR (A), TUNING CAPACITOR		24	3-382-006-01	TERMINAL, BATTERY	
8	3-380-915-01	SCALE, DIAL		25	3-900-151-01	SPRING, RING	
9	3-382-325-01	SPRING (SP)		26	3-380-908-01	SHAFT (TUN)	
10	3-380-917-01	KNOB (HOLD)		27	3-380-909-01	KNOB (TUN)	
11	3-380-921-01	KNOB (SW)		29	3-900-157-01	PULLEY	
12	3-380-911-01	INDICATOR		30	3-382-324-01	BELT (TUN)	
* 13	3-380-926-01	CHASSIS		31	3-380-910-01	GEAR, MIDWAY	
14	3-380-913-01	KNOB (VOL)		32	3-380-916-01	POINTER	
* 15	A-3679-409-A	MAIN BOARD, COMPLETE) (AEP, Germany, UK, Italian, Saudi Arabia)		33	3-383-019-01	STRAP, HAND	
* 15	A-3679-410-A	MAIN BOARD, COMPLETE (US, Canadian, E, TOURIST, Australian)		ANT1	1-501-543-11	ANTENNA, TELESCOPIC	
				SP1	1-544-758-11	SPEAKER (6. 6CM)	

SECTION 4 EXPLODED VIEW

NOTES:

- ICF-8W18 uses standard parts, so they may have some differences from the original unit.
- Color indication of Approximate Parts Groupings:
■ Blue
■ Red
■ Green
■ Yellow
■ Black
- Some parts (1, 2, 3) are not standard sizes. They are custom required for proper service. Some may be made by authorized manufacturing firms.
- The standard parts with no reference number in the exploded view are not supplied.
- Dimensions of standard parts given in the list of this page (4).



Part No.	Part No.	Description	Group	Part No.	Part No.	Description	Group
1	1-000-001-1	CASEKIT (STANDARD UNIT) (S&S, Conductor, 1, TORQUE, Insulated)		21	1-000-010-1	TERMINAL (STANDARD UNIT)	
1	1-000-011-1	CASEKIT (STANDARD UNIT) (S&S, Conductor, 1, TORQUE, Insulated)		22	1-000-010-2	TERMINAL (STANDARD UNIT)	
2	1-000-010-1	TERMINAL (STANDARD UNIT)		23	1-000-010-3	TERMINAL (STANDARD UNIT)	
3	1-000-010-2	TERMINAL (STANDARD UNIT)		24	1-000-010-4	TERMINAL (STANDARD UNIT)	
4	1-000-010-3	TERMINAL (STANDARD UNIT)		25	1-000-010-5	TERMINAL (STANDARD UNIT)	
5	1-000-010-4	TERMINAL (STANDARD UNIT)		26	1-000-010-6	TERMINAL (STANDARD UNIT)	
6	1-000-010-5	TERMINAL (STANDARD UNIT)		27	1-000-010-7	TERMINAL (STANDARD UNIT)	
7	1-000-010-6	TERMINAL (STANDARD UNIT)		28	1-000-010-8	TERMINAL (STANDARD UNIT)	
8	1-000-010-7	TERMINAL (STANDARD UNIT)		29	1-000-010-9	TERMINAL (STANDARD UNIT)	
9	1-000-010-8	TERMINAL (STANDARD UNIT)		30	1-000-010-10	TERMINAL (STANDARD UNIT)	
10	1-000-010-9	TERMINAL (STANDARD UNIT)		31	1-000-010-11	TERMINAL (STANDARD UNIT)	
11	1-000-010-10	TERMINAL (STANDARD UNIT)		32	1-000-010-12	TERMINAL (STANDARD UNIT)	
12	1-000-010-11	TERMINAL (STANDARD UNIT)		33	1-000-010-13	TERMINAL (STANDARD UNIT)	
13	1-000-010-12	TERMINAL (STANDARD UNIT)		34	1-000-010-14	TERMINAL (STANDARD UNIT)	
14	1-000-010-13	TERMINAL (STANDARD UNIT)		35	1-000-010-15	TERMINAL (STANDARD UNIT)	
15	1-000-010-14	TERMINAL (STANDARD UNIT)		36	1-000-010-16	TERMINAL (STANDARD UNIT)	
16	1-000-010-15	TERMINAL (STANDARD UNIT)		37	1-000-010-17	TERMINAL (STANDARD UNIT)	
17	1-000-010-16	TERMINAL (STANDARD UNIT)					
18	1-000-010-17	TERMINAL (STANDARD UNIT)					
19	1-000-010-18	TERMINAL (STANDARD UNIT)					
20	1-000-010-19	TERMINAL (STANDARD UNIT)					
21	1-000-010-20	TERMINAL (STANDARD UNIT)					
22	1-000-010-21	TERMINAL (STANDARD UNIT)					
23	1-000-010-22	TERMINAL (STANDARD UNIT)					
24	1-000-010-23	TERMINAL (STANDARD UNIT)					
25	1-000-010-24	TERMINAL (STANDARD UNIT)					
26	1-000-010-25	TERMINAL (STANDARD UNIT)					
27	1-000-010-26	TERMINAL (STANDARD UNIT)					
28	1-000-010-27	TERMINAL (STANDARD UNIT)					
29	1-000-010-28	TERMINAL (STANDARD UNIT)					
30	1-000-010-29	TERMINAL (STANDARD UNIT)					
31	1-000-010-30	TERMINAL (STANDARD UNIT)					
32	1-000-010-31	TERMINAL (STANDARD UNIT)					
33	1-000-010-32	TERMINAL (STANDARD UNIT)					
34	1-000-010-33	TERMINAL (STANDARD UNIT)					
35	1-000-010-34	TERMINAL (STANDARD UNIT)					
36	1-000-010-35	TERMINAL (STANDARD UNIT)					
37	1-000-010-36	TERMINAL (STANDARD UNIT)					

SECTION 5 ELECTRICAL PARTS LIST

NOTE:

- Due to standardization, replacements in the parts list may be different from the parts specified in the diagrams or the components used on the set.
- -XX and -X mean standardized parts, so they may have some difference from the original one.
- RESISTORS
All resistors are in ohms.
METAL: Metal-film resistor.
METAL OXIDE: Metal oxide-film resistor.
F: nonflammable

- Items marked "*" are not stocked since they are seldom required for routine service. Some delay should be anticipated when ordering these items.
- SEMICONDUCTORS
In each case, u: μ , for example:
uA ... μ A. uPA... μ PA.
uPB... μ PB.. uPC... μ PC.. uPD... μ PD..
- CAPACITORS
uF: μ F
- COILS
uH: μ H

When indicating parts by reference number, please include the board.

Ref. No.	Part No.	Description	Remark	Ref. No.	Part No.	Description	Remark
*	A-3679-409-A	MAIN BOARD, COMPLETE (AEP, Germany, UK, Italian, Saudi Arabia)		C17	1-163-229-11	CERAMIC CHIP 12PF	5% 50V
*	A-3679-410-A	MAIN BOARD, COMPLETE (US, Canadian, E, TOURIST, Australian) *****		C18	1-164-232-11	CERAMIC CHIP 0.01uF	50V
*	3-380-924-01	HOLDER < BAND PASS FILTER >		C19	1-164-004-11	CERAMIC CHIP 0.1uF	10% 25V
BPF1	1-239-359-11	FILTER, BAND PASS (AEP, Germany, UK, Italian, Saudi Arabia)		C20	1-164-004-11	CERAMIC CHIP 0.1uF	10% 25V
BPF1	1-239-360-11	FILTER, BAND PASS (US, Canadian, E, TOURIST, Australian) < CAPACITOR >		C21	1-126-163-11	ELECT 4.7uF	20% 50V
C1	1-164-232-11	CERAMIC CHIP 0.01uF	50V	C23	1-164-232-11	CERAMIC CHIP 0.01uF	50V
C2	1-164-232-11	CERAMIC CHIP 0.01uF	50V	C24	1-164-232-11	CERAMIC CHIP 0.01uF	50V
C3	1-164-232-11	CERAMIC CHIP 0.01uF	50V	C25	1-126-163-11	ELECT 4.7uF	20% 50V
C5	1-163-009-11	CERAMIC CHIP 0.001uF	10% 50V	C26	1-126-163-11	ELECT 4.7uF	20% 50V
C6	1-163-095-00	CERAMIC CHIP 12PF	5% 50V	C27	1-126-096-11	ELECT 10uF	20% 35V
C7	1-126-154-11	ELECT 47uF	20% 6.3V	C28	1-163-037-11	CERAMIC CHIP 0.022uF	10% 25V
C8	1-164-232-11	CERAMIC CHIP 0.01uF	50V	C29	1-124-234-00	ELECT 22uF	20% 16V
C9	1-164-232-11	CERAMIC CHIP 0.01uF	50V	C30	1-124-472-11	ELECT 470uF	20% 10V
C10	1-164-232-11	CERAMIC CHIP 0.01uF	50V	C31	1-164-004-11	CERAMIC CHIP 0.1uF	10% 25V
C11	1-164-232-11	CERAMIC CHIP 0.01uF	50V	C32	1-164-346-11	CERAMIC CHIP 1uF	16V
C13	1-164-232-11	CERAMIC CHIP 0.01uF	50V	C33	1-124-442-00	ELECT 330uF	20% 6.3V
C14	1-163-083-00	CERAMIC CHIP 1PF	50V	C34	1-126-154-11	ELECT 47uF	20% 6.3V
C15	1-163-100-00	CERAMIC CHIP 20PF (AEP, Germany, UK, Italian, Saudi Arabia)	5% 50V	C35	1-163-003-11	CERAMIC CHIP 330PF	10% 50V
C15	1-163-102-00	CERAMIC CHIP 24PF (US, Canadian, E, TOURIST, Australian)	5% 50V	C36	1-163-001-11	CERAMIC CHIP 220PF	10% 50V
C16	1-163-099-00	CERAMIC CHIP 18PF (US, Canadian, E, TOURIST, Australian)	5% 50V	C37	1-163-113-00	CERAMIC CHIP 68PF	5% 50V
C16	1-163-104-00	CERAMIC CHIP 30PF (AEP, Germany, UK, Italian, Saudi Arabia)	5% 50V	C38	1-163-111-00	CERAMIC CHIP 56PF	5% 50V
				C39	1-164-232-11	CERAMIC CHIP 0.01uF	50V
				C40	1-163-809-11	CERAMIC CHIP 0.047uF	10% 25V
				C41	1-163-111-00	CERAMIC CHIP 56PF	5% 50V
				C42	1-163-377-11	CERAMIC CHIP 100PF	5% 50V
				C43	1-163-251-11	CERAMIC CHIP 100PF	5% 50V
				C44	1-163-251-11	CERAMIC CHIP 100PF	5% 50V
				C45	1-126-096-11	ELECT 10uF	20% 35V
				C49	1-126-154-11	ELECT 47uF	20% 6.3V
				C50	1-126-163-11	ELECT 4.7uF	20% 50V
				C52	1-164-232-11	CERAMIC CHIP 0.01uF	50V
				C53	1-164-232-11	CERAMIC CHIP 0.01uF	50V
				C54	1-164-232-11	CERAMIC CHIP 0.01uF	50V
				C55	1-164-232-11	CERAMIC CHIP 0.01uF	50V
				C56	1-164-232-11	CERAMIC CHIP 0.01uF	50V

SECTION 8 ELECTRICAL PARTS LIST

NOTE:

♦ Use the manufacturer's replacement kit on parts that are in difficulty. Use the parts specified in the Diagram or the Appendix and on the end.

♦ 23 and 24 use standard parts, as they are the same dimensions (not to be confused).

WARRANTY:

All resistors are in ohms.
 *MSL: Metal film resistor.
 *MEL: MEL: Metal oxide film resistor.
 *F: Film.

♦ These coded "X" are not coded data. They are values required for machine service. They may change in subsequent releases without their files.

RESISTORS:

In ohms, e.g., for example:
 100 k 10% 470 Ω 1%
 100 Ω 10% 470 Ω 1%
 100 Ω 10% 470 Ω 1%

♦ CAPACITORS:

in pF.
 ♦ GIGA: 10⁹
 in µF.

Non-inductive parts by electronic means, unless indicated by their.

Part No.	Part No.	Description	Mount	Part No.	Part No.	Description	Mount
		2-320-08-1 SMD SIGNAL (SMT/PT)				1-320-08-1 SMD	
		2-320-08-2 SMD SIGNAL (SMT/PT)				1-320-08-2 SMD	
		2-320-08-3 SMD SIGNAL (SMT/PT)				1-320-08-3 SMD	
		2-320-08-4 SMD SIGNAL (SMT/PT)				1-320-08-4 SMD	
		2-320-08-5 SMD SIGNAL (SMT/PT)				1-320-08-5 SMD	
		2-320-08-6 SMD SIGNAL (SMT/PT)				1-320-08-6 SMD	
		2-320-08-7 SMD SIGNAL (SMT/PT)				1-320-08-7 SMD	
		2-320-08-8 SMD SIGNAL (SMT/PT)				1-320-08-8 SMD	
		2-320-08-9 SMD SIGNAL (SMT/PT)				1-320-08-9 SMD	
		2-320-08-10 SMD SIGNAL (SMT/PT)				1-320-08-10 SMD	
		2-320-08-11 SMD SIGNAL (SMT/PT)				1-320-08-11 SMD	
		2-320-08-12 SMD SIGNAL (SMT/PT)				1-320-08-12 SMD	
		2-320-08-13 SMD SIGNAL (SMT/PT)				1-320-08-13 SMD	
		2-320-08-14 SMD SIGNAL (SMT/PT)				1-320-08-14 SMD	
		2-320-08-15 SMD SIGNAL (SMT/PT)				1-320-08-15 SMD	
		2-320-08-16 SMD SIGNAL (SMT/PT)				1-320-08-16 SMD	
		2-320-08-17 SMD SIGNAL (SMT/PT)				1-320-08-17 SMD	
		2-320-08-18 SMD SIGNAL (SMT/PT)				1-320-08-18 SMD	
		2-320-08-19 SMD SIGNAL (SMT/PT)				1-320-08-19 SMD	
		2-320-08-20 SMD SIGNAL (SMT/PT)				1-320-08-20 SMD	
		2-320-08-21 SMD SIGNAL (SMT/PT)				1-320-08-21 SMD	
		2-320-08-22 SMD SIGNAL (SMT/PT)				1-320-08-22 SMD	
		2-320-08-23 SMD SIGNAL (SMT/PT)				1-320-08-23 SMD	
		2-320-08-24 SMD SIGNAL (SMT/PT)				1-320-08-24 SMD	
		2-320-08-25 SMD SIGNAL (SMT/PT)				1-320-08-25 SMD	
		2-320-08-26 SMD SIGNAL (SMT/PT)				1-320-08-26 SMD	
		2-320-08-27 SMD SIGNAL (SMT/PT)				1-320-08-27 SMD	
		2-320-08-28 SMD SIGNAL (SMT/PT)				1-320-08-28 SMD	
		2-320-08-29 SMD SIGNAL (SMT/PT)				1-320-08-29 SMD	
		2-320-08-30 SMD SIGNAL (SMT/PT)				1-320-08-30 SMD	
		2-320-08-31 SMD SIGNAL (SMT/PT)				1-320-08-31 SMD	
		2-320-08-32 SMD SIGNAL (SMT/PT)				1-320-08-32 SMD	
		2-320-08-33 SMD SIGNAL (SMT/PT)				1-320-08-33 SMD	
		2-320-08-34 SMD SIGNAL (SMT/PT)				1-320-08-34 SMD	
		2-320-08-35 SMD SIGNAL (SMT/PT)				1-320-08-35 SMD	
		2-320-08-36 SMD SIGNAL (SMT/PT)				1-320-08-36 SMD	
		2-320-08-37 SMD SIGNAL (SMT/PT)				1-320-08-37 SMD	
		2-320-08-38 SMD SIGNAL (SMT/PT)				1-320-08-38 SMD	
		2-320-08-39 SMD SIGNAL (SMT/PT)				1-320-08-39 SMD	
		2-320-08-40 SMD SIGNAL (SMT/PT)				1-320-08-40 SMD	
		2-320-08-41 SMD SIGNAL (SMT/PT)				1-320-08-41 SMD	
		2-320-08-42 SMD SIGNAL (SMT/PT)				1-320-08-42 SMD	
		2-320-08-43 SMD SIGNAL (SMT/PT)				1-320-08-43 SMD	
		2-320-08-44 SMD SIGNAL (SMT/PT)				1-320-08-44 SMD	
		2-320-08-45 SMD SIGNAL (SMT/PT)				1-320-08-45 SMD	
		2-320-08-46 SMD SIGNAL (SMT/PT)				1-320-08-46 SMD	
		2-320-08-47 SMD SIGNAL (SMT/PT)				1-320-08-47 SMD	
		2-320-08-48 SMD SIGNAL (SMT/PT)				1-320-08-48 SMD	
		2-320-08-49 SMD SIGNAL (SMT/PT)				1-320-08-49 SMD	
		2-320-08-50 SMD SIGNAL (SMT/PT)				1-320-08-50 SMD	
		2-320-08-51 SMD SIGNAL (SMT/PT)				1-320-08-51 SMD	
		2-320-08-52 SMD SIGNAL (SMT/PT)				1-320-08-52 SMD	
		2-320-08-53 SMD SIGNAL (SMT/PT)				1-320-08-53 SMD	
		2-320-08-54 SMD SIGNAL (SMT/PT)				1-320-08-54 SMD	
		2-320-08-55 SMD SIGNAL (SMT/PT)				1-320-08-55 SMD	
		2-320-08-56 SMD SIGNAL (SMT/PT)				1-320-08-56 SMD	
		2-320-08-57 SMD SIGNAL (SMT/PT)				1-320-08-57 SMD	
		2-320-08-58 SMD SIGNAL (SMT/PT)				1-320-08-58 SMD	
		2-320-08-59 SMD SIGNAL (SMT/PT)				1-320-08-59 SMD	
		2-320-08-60 SMD SIGNAL (SMT/PT)				1-320-08-60 SMD	
		2-320-08-61 SMD SIGNAL (SMT/PT)				1-320-08-61 SMD	
		2-320-08-62 SMD SIGNAL (SMT/PT)				1-320-08-62 SMD	
		2-320-08-63 SMD SIGNAL (SMT/PT)				1-320-08-63 SMD	
		2-320-08-64 SMD SIGNAL (SMT/PT)				1-320-08-64 SMD	
		2-320-08-65 SMD SIGNAL (SMT/PT)				1-320-08-65 SMD	
		2-320-08-66 SMD SIGNAL (SMT/PT)				1-320-08-66 SMD	
		2-320-08-67 SMD SIGNAL (SMT/PT)				1-320-08-67 SMD	
		2-320-08-68 SMD SIGNAL (SMT/PT)				1-320-08-68 SMD	
		2-320-08-69 SMD SIGNAL (SMT/PT)				1-320-08-69 SMD	
		2-320-08-70 SMD SIGNAL (SMT/PT)				1-320-08-70 SMD	
		2-320-08-71 SMD SIGNAL (SMT/PT)				1-320-08-71 SMD	
		2-320-08-72 SMD SIGNAL (SMT/PT)				1-320-08-72 SMD	
		2-320-08-73 SMD SIGNAL (SMT/PT)				1-320-08-73 SMD	
		2-320-08-74 SMD SIGNAL (SMT/PT)				1-320-08-74 SMD	
		2-320-08-75 SMD SIGNAL (SMT/PT)				1-320-08-75 SMD	
		2-320-08-76 SMD SIGNAL (SMT/PT)				1-320-08-76 SMD	
		2-320-08-77 SMD SIGNAL (SMT/PT)				1-320-08-77 SMD	
		2-320-08-78 SMD SIGNAL (SMT/PT)				1-320-08-78 SMD	
		2-320-08-79 SMD SIGNAL (SMT/PT)				1-320-08-79 SMD	
		2-320-08-80 SMD SIGNAL (SMT/PT)				1-320-08-80 SMD	
		2-320-08-81 SMD SIGNAL (SMT/PT)				1-320-08-81 SMD	
		2-320-08-82 SMD SIGNAL (SMT/PT)				1-320-08-82 SMD	
		2-320-08-83 SMD SIGNAL (SMT/PT)				1-320-08-83 SMD	
		2-320-08-84 SMD SIGNAL (SMT/PT)				1-320-08-84 SMD	
		2-320-08-85 SMD SIGNAL (SMT/PT)				1-320-08-85 SMD	
		2-320-08-86 SMD SIGNAL (SMT/PT)				1-320-08-86 SMD	
		2-320-08-87 SMD SIGNAL (SMT/PT)				1-320-08-87 SMD	
		2-320-08-88 SMD SIGNAL (SMT/PT)				1-320-08-88 SMD	
		2-320-08-89 SMD SIGNAL (SMT/PT)				1-320-08-89 SMD	
		2-320-08-90 SMD SIGNAL (SMT/PT)				1-320-08-90 SMD	
		2-320-08-91 SMD SIGNAL (SMT/PT)				1-320-08-91 SMD	
		2-320-08-92 SMD SIGNAL (SMT/PT)				1-320-08-92 SMD	
		2-320-08-93 SMD SIGNAL (SMT/PT)				1-320-08-93 SMD	
		2-320-08-94 SMD SIGNAL (SMT/PT)				1-320-08-94 SMD	
		2-320-08-95 SMD SIGNAL (SMT/PT)				1-320-08-95 SMD	
		2-320-08-96 SMD SIGNAL (SMT/PT)				1-320-08-96 SMD	
		2-320-08-97 SMD SIGNAL (SMT/PT)				1-320-08-97 SMD	
		2-320-08-98 SMD SIGNAL (SMT/PT)				1-320-08-98 SMD	
		2-320-08-99 SMD SIGNAL (SMT/PT)				1-320-08-99 SMD	
		2-320-08-100 SMD SIGNAL (SMT/PT)				1-320-08-100 SMD	

MAIN

Ref. No.	Part No.	Description	Remark	Ref. No.	Part No.	Description	Remark
C57	1-164-232-11	CERAMIC CHIP 0.01uF	50V	D11	8-719-812-41	LED TLR124	
C58	1-162-638-11	CERAMIC CHIP 1uF	16V	D12	8-719-812-41	LED TLR124	
C59	1-164-004-11	CERAMIC CHIP 0.1uF	10% 25V	D13	8-719-812-41	LED TLR124	
C60	1-164-232-11	CERAMIC CHIP 0.01uF	50V	D14	8-719-812-41	LED TLR124	
C61	1-124-234-00	ELECT 22uF	20% 16V	D15	8-719-800-76	DIODE 1SS226	
C62	1-164-232-11	CERAMIC CHIP 0.01uF	50V			< IC >	
C63	1-126-154-11	ELECT 47uF	20% 6.3V	IC1	8-752-035-29	IC CXA1019S	
C64	1-164-232-11	CERAMIC CHIP 0.01uF	50V	IC2	8-759-979-91	IC CF77392NS	
C65	1-163-090-00	CERAMIC CHIP 7PF	50V	IC3	8-759-937-61	IC S-81230AG	
C66	1-162-638-11	CERAMIC CHIP 1uF	16V			< JACK >	
C67	1-163-020-00	CERAMIC CHIP 0.0082uF	10% 50V	J1	1-563-836-21	JACK (EARPHONE)	
C68	1-163-023-00	CERAMIC CHIP 0.015uF	5% 50V	J2	1-580-681-21	JACK, DC (POLARITY UNIFIED TYPE)	
C69	1-163-022-00	CERAMIC CHIP 0.012uF	10% 50V			< COIL >	
C70	1-163-016-00	CERAMIC CHIP 0.0039uF	10% 50V	L1	1-402-334-11	COIL (ANT)	
C71	1-163-010-11	CERAMIC CHIP 0.0012uF	10% 50V	L2	1-402-332-11	COIL (ANT)	
C74	1-163-085-00	CERAMIC CHIP 2PF	50V	L3	1-402-397-11	COIL (ANT)	
		(AEP, Germany, UK, Italian, Saudi Arabia)		L4	1-402-331-11	COIL (ANT)	
C74	1-163-086-00	CERAMIC CHIP 3PF	50V	L5	1-406-261-11	COIL (OSC)	
		(US, Canadian, E, TOURIST, Australian)		L6	1-402-433-11	COIL (ANT)	
C75	1-126-096-11	ELECT 10uF	20% 35V	L7	1-402-330-11	COIL (ANT)	
C76	1-163-117-00	CERAMIC CHIP 100PF	5% 50V	L8	1-414-021-11	INDUCTOR 0.82uH	
C77	1-164-004-11	CERAMIC CHIP 0.1uF	10% 25V	L9	1-414-027-11	INDUCTOR 8.2uH	
C78	1-164-232-11	CERAMIC CHIP 0.01uF	50V	L10	1-410-967-11	INDUCTOR 2.2uH	
C79	1-163-088-00	CERAMIC CHIP 5PF	50V	L11	1-410-322-11	INDUCTOR 3.3uH	
		< FILTER >		L12	1-402-628-11	ANTENNA, FERRITE-ROD (MW)	
CF1	1-567-097-61	FILTER, CERAMIC				(AEP, Germany, UK, Italian, Saudi Arabia)	
CF2	1-577-647-11	FILTER, CERAMIC		L12	1-402-633-11	ANTENNA, FERRITE-ROD (MW)	
CF3	1-577-047-11	FILTER, CERAMIC				(US, Canadian, E, TOURIST, Australian)	
		< TRIMMER >		L13	1-460-351-11	COIL (WITH CORE)	
CT1	1-141-304-21	CAP, TRIMMER 10PF		L14	1-460-348-11	COIL (WITH CORE)	
		< VARIABLE CAPACITOR >				(AEP, Germany, UK, Italian, Saudi Arabia)	
CV2	1-151-649-11	CAP, VARIABLE		L14	1-460-349-11	COIL (WITH CORE)	
CT2		(AEP, Germany, UK, Italian, Saudi Arabia)				(US, Canadian, E, TOURIST, Australian)	
CV2	1-151-650-11	CAP, VARIABLE		L15	1-406-255-11	COIL (OSC)	
CT2		(US, Canadian, E, TOURIST, Australian)				< TRANSISTOR >	
		< DIODE >		Q1	8-729-117-83	TRANSISTOR 2SK160A-K25	
D1	8-719-123-79	DIODE 1SS279		Q2	8-729-116-64	TRANSISTOR 2SK508-K51	
D2	8-719-123-79	DIODE 1SS279		Q3	8-729-220-93	TRANSISTOR 2SK209-G	
D3	8-719-123-79	DIODE 1SS279		Q4	8-729-102-07	TRANSISTOR 2SC2223-F13	
D4	8-719-800-76	DIODE 1SS226		Q5	8-729-102-07	TRANSISTOR 2SC2223-F13	
D5	8-719-400-18	DIODE MA152WK		Q6	8-729-402-84	TRANSISTOR XN4601	
D10	8-719-800-76	DIODE 1SS226					

Ref. No.	Part No.	Description	Remark	Ref. No.	Part No.	Description	Remark
Q7	8-729-402-13	TRANSISTOR	XN1501	R42	1-216-053-00	METAL CHIP	1.5K 5% 1/10W
Q9	8-729-807-87	TRANSISTOR	2SB1295-UL6	R43	1-216-041-00	METAL CHIP	470 5% 1/10W
Q10	8-729-402-84	TRANSISTOR	XN4601	R44	1-216-081-00	METAL CHIP	22K 5% 1/10W
Q13	8-729-120-28	TRANSISTOR	2SC1623-LSL6	R45	1-216-049-00	METAL CHIP	1K 5% 1/10W
Q15	8-729-402-84	TRANSISTOR	XN4601	R46	1-216-246-00	METAL GLAZE	100K 5% 1/8W
		< RESISTOR >					
R1	1-216-057-00	METAL CHIP	2.2K 5% 1/10W	R47	1-216-246-00	METAL GLAZE	100K 5% 1/8W
R2	1-216-091-00	METAL CHIP	56K 5% 1/10W	R48	1-216-061-00	METAL CHIP	3.3K 5% 1/10W
R3	1-216-041-00	METAL CHIP	470 5% 1/10W	R49	1-216-061-00	METAL CHIP	3.3K 5% 1/10W
R4	1-216-040-00	METAL GLAZE	430 5% 1/10W	R50	1-216-061-00	METAL CHIP	3.3K 5% 1/10W
R5	1-216-097-00	METAL CHIP	100K 5% 1/10W	R51	1-216-061-00	METAL CHIP	3.3K 5% 1/10W
R6	1-216-059-00	METAL CHIP	2.7K 5% 1/10W	R52	1-216-113-00	METAL CHIP	470K 5% 1/10W
R7	1-216-041-00	METAL CHIP	470 5% 1/10W	R53	1-216-073-00	METAL CHIP	10K 5% 1/10W
R8	1-216-065-00	METAL CHIP	4.7K 5% 1/10W	R54	1-216-178-00	METAL GLAZE	150 5% 1/8W
R9	1-216-063-00	METAL CHIP	3.9K 5% 1/10W	R56	1-216-065-00	METAL CHIP	4.7K 5% 1/10W
R10	1-216-063-00	METAL CHIP	3.9K 5% 1/10W	R57	1-216-053-00	METAL CHIP	1.5K 5% 1/10W
R11	1-216-073-00	METAL CHIP	10K 5% 1/10W	R58	1-216-089-00	METAL CHIP	47K 5% 1/10W
R12	1-216-057-00	METAL CHIP	2.2K 5% 1/10W	R59	1-216-057-00	METAL CHIP	2.2K 5% 1/10W
R13	1-216-082-00	METAL GLAZE	24K 5% 1/10W	R60	1-216-041-00	METAL CHIP	470 5% 1/10W
R14	1-216-049-00	METAL CHIP	1K 5% 1/10W	R61	1-216-190-00	METAL GLAZE	470 5% 1/8W
R15	1-216-067-00	METAL CHIP	5.6K 5% 1/10W	R62	1-216-190-00	METAL GLAZE	470 5% 1/8W
R16	1-216-295-00	METAL CHIP	0 5% 1/10W	R63	1-216-296-00	METAL CHIP	0 5% 1/8W
R18	1-216-037-00	METAL CHIP	330 5% 1/10W	R64	1-216-113-00	METAL CHIP	470K 5% 1/10W
R19	1-216-077-00	METAL CHIP	15K 5% 1/10W	R65	1-216-089-00	METAL CHIP	47K 5% 1/10W
R20	1-216-105-00	METAL CHIP	220K 5% 1/10W	R66	1-216-053-00	METAL CHIP	1.5K 5% 1/10W
R21	1-216-049-00	METAL CHIP	1K 5% 1/10W	R67	1-216-097-00	METAL CHIP	100K 5% 1/10W
R22	1-216-049-00	METAL CHIP	1K 5% 1/10W	R68	1-216-061-00	METAL CHIP	3.3K 5% 1/10W
R23	1-216-114-00	METAL GLAZE	510K 5% 1/10W	R69	1-216-061-00	METAL CHIP	3.3K 5% 1/10W
R24	1-216-105-00	METAL CHIP	220K 5% 1/10W	R70	1-216-061-00	METAL CHIP	3.3K 5% 1/10W
R25	1-216-083-00	METAL CHIP	27K 5% 1/10W	R71	1-216-017-00	METAL CHIP	47 5% 1/10W
R26	1-216-049-00	METAL CHIP	1K 5% 1/10W	R72	1-216-097-00	METAL CHIP	100K 5% 1/10W
R27	1-216-043-00	METAL CHIP	560 5% 1/10W	R73	1-216-296-00	METAL CHIP	0 5% 1/8W
R28	1-216-058-00	METAL GLAZE	2.4K 5% 1/10W	R74	1-216-296-00	METAL CHIP	0 5% 1/8W
R29	1-216-105-00	METAL CHIP	220K 5% 1/10W	R75	1-216-296-00	METAL CHIP	0 5% 1/8W
R30	1-216-091-00	METAL CHIP	56K 5% 1/10W	R76	1-216-296-00	METAL CHIP	0 5% 1/8W
R31	1-216-057-00	METAL CHIP	2.2K 5% 1/10W	R77	1-216-296-00	METAL CHIP	0 5% 1/8W
R32	1-216-081-00	METAL CHIP	22K 5% 1/10W	R78	1-216-296-00	METAL CHIP	0 5% 1/8W
R33	1-216-198-00	METAL CHIP	1K 5% 1/8W	R79	1-216-296-00	METAL CHIP	0 5% 1/8W
R34	1-216-049-00	METAL CHIP	1K 5% 1/10W	R80	1-216-296-00	METAL CHIP	0 5% 1/8W
R35	1-216-025-00	METAL CHIP	100 5% 1/10W	R81	1-216-295-00	METAL CHIP	0 5% 1/10W
R36	1-216-059-00	METAL CHIP	2.7K 5% 1/10W	R82	1-216-296-00	METAL CHIP	0 5% 1/8W
R37	1-216-689-11	METAL CHIP	39K 0.5% 1/10W	R83	1-216-296-00	METAL CHIP	0 5% 1/8W
R38	1-216-065-00	METAL CHIP	4.7K 5% 1/10W	R84	1-216-296-00	METAL CHIP	0 5% 1/8W
R39	1-216-065-00	METAL CHIP	4.7K 5% 1/10W	R85	1-216-296-00	METAL CHIP	0 5% 1/8W
R40	1-216-097-00	METAL CHIP	100K 5% 1/10W	R86	1-216-296-00	METAL CHIP	0 5% 1/8W
R41	1-216-029-00	METAL CHIP	150 5% 1/10W	R87	1-216-296-00	METAL CHIP	0 5% 1/8W
				R88	1-216-296-00	METAL CHIP	0 5% 1/8W
				R89	1-216-296-00	METAL CHIP	0 5% 1/8W
				R90	1-216-296-00	METAL CHIP	0 5% 1/8W
				R91	1-216-296-00	METAL CHIP	0 5% 1/8W

Alt. #.	Dist. #.	Description	Amount
---------	----------	-------------	--------

28	1-23-20-13	MSK	1.00
29	1-23-20-14	MSK	1.00
30	1-23-20-15	MSK	1.00
31	1-23-20-16	MSK	1.00
32	1-23-20-17	MSK	1.00
33	1-23-20-18	MSK	1.00
34	1-23-20-19	MSK	1.00
35	1-23-20-20	MSK	1.00
36	1-23-20-21	MSK	1.00
37	1-23-20-22	MSK	1.00
38	1-23-20-23	MSK	1.00
39	1-23-20-24	MSK	1.00
40	1-23-20-25	MSK	1.00
41	1-23-20-26	MSK	1.00
42	1-23-20-27	MSK	1.00
43	1-23-20-28	MSK	1.00
44	1-23-20-29	MSK	1.00
45	1-23-20-30	MSK	1.00
46	1-23-20-31	MSK	1.00
47	1-23-20-32	MSK	1.00
48	1-23-20-33	MSK	1.00
49	1-23-20-34	MSK	1.00
50	1-23-20-35	MSK	1.00
51	1-23-20-36	MSK	1.00
52	1-23-20-37	MSK	1.00
53	1-23-20-38	MSK	1.00
54	1-23-20-39	MSK	1.00
55	1-23-20-40	MSK	1.00
56	1-23-20-41	MSK	1.00
57	1-23-20-42	MSK	1.00
58	1-23-20-43	MSK	1.00
59	1-23-20-44	MSK	1.00
60	1-23-20-45	MSK	1.00
61	1-23-20-46	MSK	1.00
62	1-23-20-47	MSK	1.00
63	1-23-20-48	MSK	1.00
64	1-23-20-49	MSK	1.00
65	1-23-20-50	MSK	1.00
66	1-23-20-51	MSK	1.00
67	1-23-20-52	MSK	1.00
68	1-23-20-53	MSK	1.00
69	1-23-20-54	MSK	1.00
70	1-23-20-55	MSK	1.00
71	1-23-20-56	MSK	1.00
72	1-23-20-57	MSK	1.00
73	1-23-20-58	MSK	1.00
74	1-23-20-59	MSK	1.00
75	1-23-20-60	MSK	1.00
76	1-23-20-61	MSK	1.00
77	1-23-20-62	MSK	1.00
78	1-23-20-63	MSK	1.00
79	1-23-20-64	MSK	1.00
80	1-23-20-65	MSK	1.00

C. MSK (S)

Alt. #.	Dist. #.	Description	Amount
---------	----------	-------------	--------

81	1-23-20-66	MSK	1.00
82	1-23-20-67	MSK	1.00
83	1-23-20-68	MSK	1.00
84	1-23-20-69	MSK	1.00
85	1-23-20-70	MSK	1.00
86	1-23-20-71	MSK	1.00
87	1-23-20-72	MSK	1.00
88	1-23-20-73	MSK	1.00
89	1-23-20-74	MSK	1.00
90	1-23-20-75	MSK	1.00
91	1-23-20-76	MSK	1.00
92	1-23-20-77	MSK	1.00
93	1-23-20-78	MSK	1.00
94	1-23-20-79	MSK	1.00
95	1-23-20-80	MSK	1.00
96	1-23-20-81	MSK	1.00
97	1-23-20-82	MSK	1.00
98	1-23-20-83	MSK	1.00
99	1-23-20-84	MSK	1.00
100	1-23-20-85	MSK	1.00
101	1-23-20-86	MSK	1.00
102	1-23-20-87	MSK	1.00
103	1-23-20-88	MSK	1.00
104	1-23-20-89	MSK	1.00
105	1-23-20-90	MSK	1.00
106	1-23-20-91	MSK	1.00
107	1-23-20-92	MSK	1.00
108	1-23-20-93	MSK	1.00
109	1-23-20-94	MSK	1.00
110	1-23-20-95	MSK	1.00
111	1-23-20-96	MSK	1.00
112	1-23-20-97	MSK	1.00
113	1-23-20-98	MSK	1.00
114	1-23-20-99	MSK	1.00
115	1-23-20-100	MSK	1.00
116	1-23-20-101	MSK	1.00
117	1-23-20-102	MSK	1.00
118	1-23-20-103	MSK	1.00
119	1-23-20-104	MSK	1.00
120	1-23-20-105	MSK	1.00
121	1-23-20-106	MSK	1.00
122	1-23-20-107	MSK	1.00
123	1-23-20-108	MSK	1.00
124	1-23-20-109	MSK	1.00
125	1-23-20-110	MSK	1.00
126	1-23-20-111	MSK	1.00
127	1-23-20-112	MSK	1.00
128	1-23-20-113	MSK	1.00
129	1-23-20-114	MSK	1.00
130	1-23-20-115	MSK	1.00
131	1-23-20-116	MSK	1.00
132	1-23-20-117	MSK	1.00
133	1-23-20-118	MSK	1.00
134	1-23-20-119	MSK	1.00
135	1-23-20-120	MSK	1.00
136	1-23-20-121	MSK	1.00
137	1-23-20-122	MSK	1.00
138	1-23-20-123	MSK	1.00
139	1-23-20-124	MSK	1.00
140	1-23-20-125	MSK	1.00
141	1-23-20-126	MSK	1.00
142	1-23-20-127	MSK	1.00
143	1-23-20-128	MSK	1.00
144	1-23-20-129	MSK	1.00
145	1-23-20-130	MSK	1.00
146	1-23-20-131	MSK	1.00
147	1-23-20-132	MSK	1.00
148	1-23-20-133	MSK	1.00
149	1-23-20-134	MSK	1.00
150	1-23-20-135	MSK	1.00
151	1-23-20-136	MSK	1.00
152	1-23-20-137	MSK	1.00
153	1-23-20-138	MSK	1.00
154	1-23-20-139	MSK	1.00
155	1-23-20-140	MSK	1.00
156	1-23-20-141	MSK	1.00
157	1-23-20-142	MSK	1.00
158	1-23-20-143	MSK	1.00
159	1-23-20-144	MSK	1.00
160	1-23-20-145	MSK	1.00
161	1-23-20-146	MSK	1.00
162	1-23-20-147	MSK	1.00
163	1-23-20-148	MSK	1.00
164	1-23-20-149	MSK	1.00
165	1-23-20-150	MSK	1.00
166	1-23-20-151	MSK	1.00
167	1-23-20-152	MSK	1.00
168	1-23-20-153	MSK	1.00
169	1-23-20-154	MSK	1.00
170	1-23-20-155	MSK	1.00
171	1-23-20-156	MSK	1.00
172	1-23-20-157	MSK	1.00
173	1-23-20-158	MSK	1.00
174	1-23-20-159	MSK	1.00
175	1-23-20-160	MSK	1.00
176	1-23-20-161	MSK	1.00
177	1-23-20-162	MSK	1.00
178	1-23-20-163	MSK	1.00
179	1-23-20-164	MSK	1.00
180	1-23-20-165	MSK	1.00
181	1-23-20-166	MSK	1.00
182	1-23-20-167	MSK	1.00
183	1-23-20-168	MSK	1.00
184	1-23-20-169	MSK	1.00
185	1-23-20-170	MSK	1.00
186	1-23-20-171	MSK	1.00
187	1-23-20-172	MSK	1.00
188	1-23-20-173	MSK	1.00
189	1-23-20-174	MSK	1.00
190	1-23-20-175	MSK	1.00
191	1-23-20-176	MSK	1.00
192	1-23-20-177	MSK	1.00
193	1-23-20-178	MSK	1.00
194	1-23-20-179	MSK	1.00
195	1-23-20-180	MSK	1.00
196	1-23-20-181	MSK	1.00
197	1-23-20-182	MSK	1.00
198	1-23-20-183	MSK	1.00
199	1-23-20-184	MSK	1.00
200	1-23-20-185	MSK	1.00

MAIN

Ref. No.	Part No.	Description	Remark	Ref. No.	Part No.	Description	Remark
R92	1-216-296-00	METAL CHIP	0 5%			MISCELLANEOUS	
R93	1-216-296-00	METAL CHIP	0 5%			*****	
R94	1-216-296-00	METAL CHIP	0 5%				
R95	1-216-296-00	METAL CHIP	0 5%				
R96	1-216-296-00	METAL CHIP	0 5%				
R97	1-216-295-00	METAL CHIP	0 5%				
R98	1-216-295-00	METAL CHIP	0 5%				
R99	1-216-295-00	METAL CHIP	0 5%				
R100	1-216-295-00	METAL CHIP	0 5%				
R101	1-216-295-00	METAL CHIP	0 5%				
R102	1-216-295-00	METAL CHIP	0 5%				
R103	1-216-295-00	METAL CHIP	0 5%				
R104	1-216-295-00	METAL CHIP	0 5%				
R105	1-216-296-00	METAL CHIP	0 5%				
R106	1-216-295-00	METAL CHIP	0 5%				
R107	1-216-296-00	METAL CHIP	0 5%				
R108	1-216-295-00	METAL CHIP	0 5%				
R109	1-216-295-00	METAL CHIP	0 5%				
R110	1-216-295-00	METAL CHIP	0 5%				
R111	1-216-295-00	METAL CHIP	0 5%				
		< VARIABLE RESISTOR >					
RV1	1-238-555-11	RES, VAR, CARBON 50K (VOLUME)					
		< SWITCH >					
S1	1-554-979-11	SWITCH, SLIDE (BAND SELECTOR)					
S2	1-572-761-31	SWITCH, SLIDE (TONE)					
S3	1-553-510-00	SWITCH, SLIDE (HOLD)					
S4	1-692-016-11	SWITCH, KEY BOARD (FM)					
S5	1-692-016-11	SWITCH, KEY BOARD (MW)					
S6	1-692-016-11	SWITCH, KEY BOARD (SW)					
S7	1-692-016-11	SWITCH, KEY BOARD (OFF)					
		< TRANSFORMER >					
T1	1-404-764-11	TRANSFORMER, IF					
T2	1-404-362-61	TRANSFORMER, IF					
T3	1-404-362-61	TRANSFORMER, IF					
T4	1-406-498-11	COIL (OSC)					
		< VIBRATOR >					
X1	1-577-447-11	VIBRATOR, CERAMIC, 16.8MHz					
X2	1-577-448-11	VIBRATOR, CERAMIC, 17.9MHz					
X3	1-577-449-11	VIBRATOR, CERAMIC, 20.4MHz					
X4	1-577-445-11	VIBRATOR, CERAMIC, 22.64MHz					
X5	1-579-684-11	VIBRATOR, CRYSTAL, 26.025MHz					
X6	1-579-685-11	VIBRATOR, CRYSTAL, 28.525MHz					
X7	1-579-686-11	VIBRATOR, CRYSTAL, 32.35MHz					

ANTI	1-501-543-11	ANTENNA, TELESCOPIC					
SP1	1-544-758-11	SPEAKER (6.6CM)					

		ACCESSORIES & PACKING MATERIALS					

*	3-381-803-01	INDIVIDUAL CARTON					
	3-755-247-01	MANUAL, INSTRUCTION (TOURIST) (JAPANESE/ENGLISH/KOREAN)					
	3-755-247-11	MANUAL, INSTRUCTION (ENGLISH/FRENCH/ SPANISH/PORTUGUESE/SWEDISH) (US, Canadian, AEP, E. Australian)					
	3-755-247-41	MANUAL, INSTRUCTION (ENGLISH/GERMAN/ FRENCH/ITALIAN/DUTCH) (AEP, Germany, UK, Italian)					
	3-755-247-51	MANUAL, INSTRUCTION (ENGLISH/ARABIC) (Saudi Arabia)					
	3-893-940-17	GUIDE, SHORT WAVE					
	3-383-148-01	CASE, CARRYING (AEP, Germany, UK, Italian, E. Saudi Arabia, TOURIST, Australian)					
	3-383-735-01	CASE, CARRYING (US, Canadian)					

